



# Traverse™

Pull-down kitchen sink faucet with two-function  
sprayhead  
**34462**

## Features

- Two-function pull-down sprayhead allows you to switch from aerated stream to powerful ring spray
- ProMotion® technology's light, quiet braided hose and swiveling ball joint make the pull-down sprayhead easier and more comfortable to use
- High-arch spout offers vertical clearance for tall cookware and pitchers
- 8-7/8" (225 mm) spout reach
- Single lever handle makes adjusting water temperature easy.
- Temperature memory allows faucet to be turned on and off at the temperature set during prior usage
- 1.5 gpm (5.7 lpm) maximum flow rate at 60 psi (4.14 bar)
- KOHLER® ceramic disc valves exceed industry longevity standards for a lifetime of durable performance

## Material

- Premium metal construction for durability and reliability
- Durable STERLING finishes built to resist corrosion

## Installation

- Single-hole or three-hole installation (escutcheon plate included)
- Flexible supply lines and quick-connect fittings simplify installation



**ADA** **CSA B651**

## Codes/Standards

ASME A112.18.1/CSA B125.1  
NSF/ANSI/CAN 61  
NSF/ANSI/CAN 372  
DOE - Energy Policy Act 1992  
California Energy Commission (CEC)  
ADA  
ICC/ANSI A117.1  
CSA B651

## STERLING® Faucet Lifetime Limited Warranty

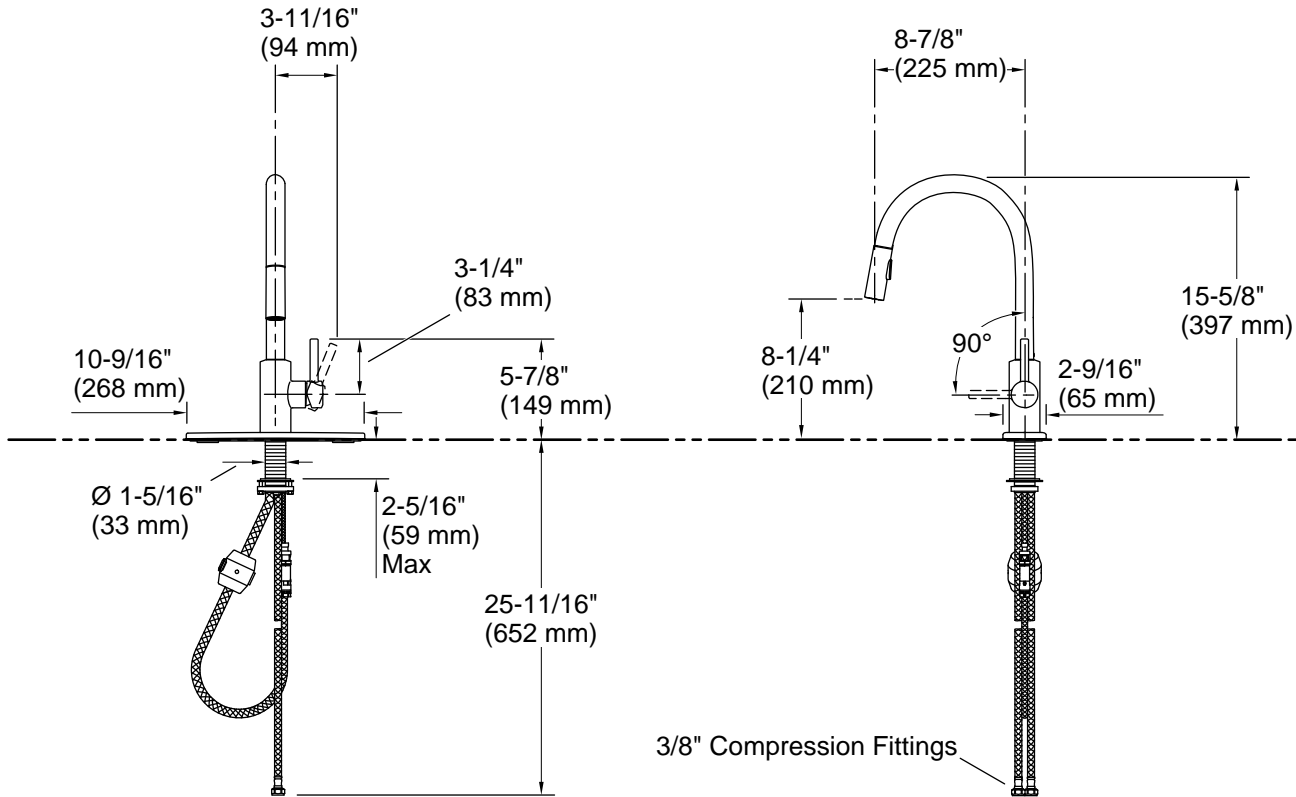
See website for detailed warranty information.

1-800-STERLING (1-800-783-7546)

Kohler Co. reserves the right to make revisions without notice to product specifications.

For the most current Specification Sheet, go to [www.sterlingplumbing.com](http://www.sterlingplumbing.com).

1-8-2025 02:45 - US/CA



**Technical Information**

All product dimensions are nominal.

**Faucet:**

Flow rate: 1.5 gal/min (5.7 l/min)

Drain included: No

**Spout:**

Spout reach: 8-7/8" (226 mm)

**Notes**

Install this product according to the installation guide.

ADA compliant for faucet handles only

ADA, CSA B651 compliant when installed to the specific requirements of these regulations.