



Vista Pivot™ II

Framed Pivot Shower Door

1535D-36

Features

- Framed
- 1/8" glass
- Out-of-plumb adjustability
- Tempered glass ensures maximum safety and durability
- Anodized aluminum prevents rusting and corrosion
- 7" inline panel (5/32" thick)

Installation

- Not for use in hospitality.
- For residential use only.

Included Components

Additional Components:
Hardware kit



Codes/Standards

ANSI Z97.1
CPSC 16CFR 1201

STERLING® Warranty - Bath and Shower Doors

See website for detailed warranty information.

Available Colors/Finishes

Color tiles intended for reference only.

Color	Code	Description
-------	------	-------------

	N	
--	---	--

Available Glass Options

Code	Description
------	-------------

	Pebbled
--	---------

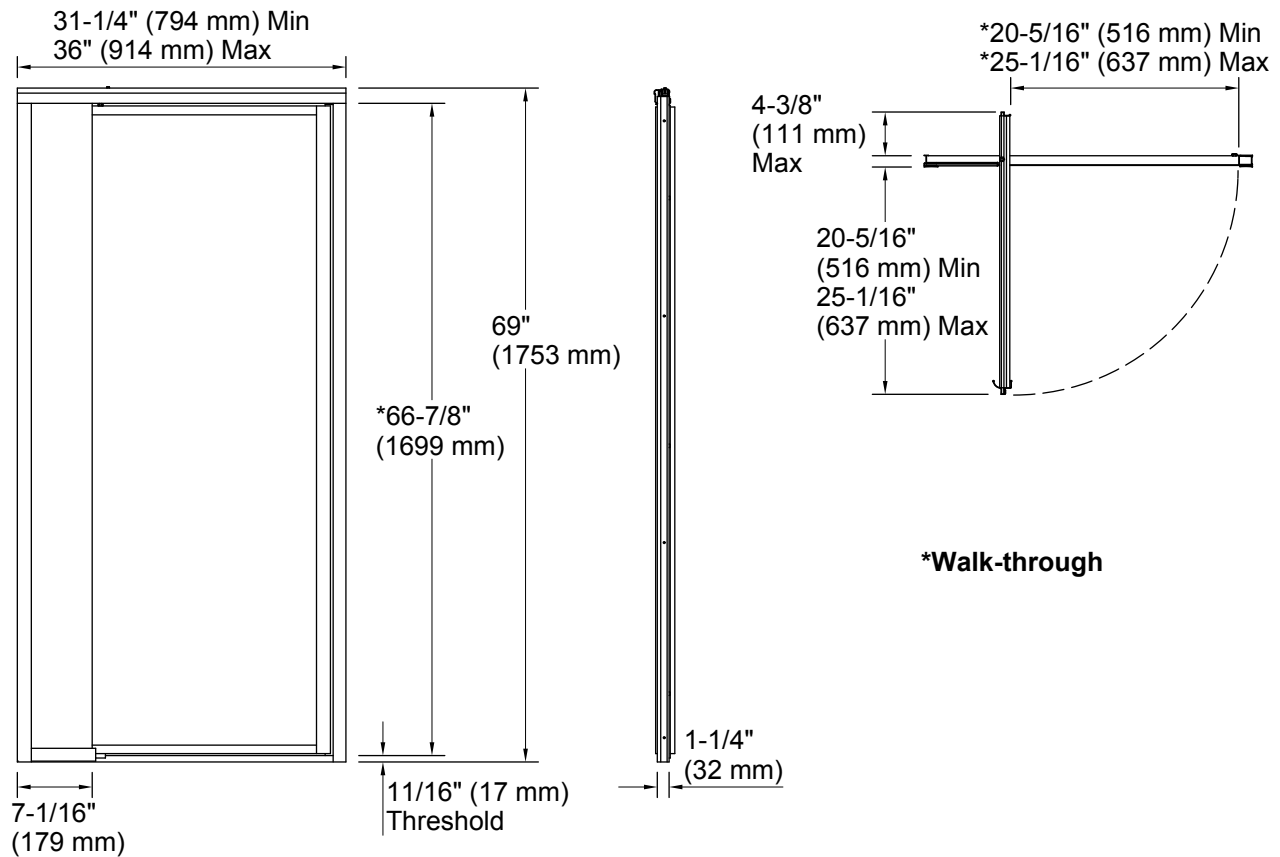
1-800-STERLING (1-800-783-7546)

Kohler Co. reserves the right to make revisions without notice to product specifications.

For the most current Specification Sheet, go to www.sterlingplumbing.com.

4-25-2019 18:44 - US/CA

Vista Pivot™ II
Framed Pivot Shower Door
1535D-36



***Walk-through**

Technical Information

All product dimensions are nominal.

Installation type: For shower base installation

Opening Width - Min: 31-1/4" (794 mm)

Opening Width - Max: 36" (914 mm)

Walk-through - Min: 20-5/16" (516 mm)

Walk-through - Max: 25-1/16" (637 mm)

Glass thickness: 1/8" (3 mm)

Notes

Install this product according to the installation guide.

The vertical opening should be a minimum of 70-1/2" (1791 mm) to allow for installation clearance.