

**Features**

- Door swings outward
- 7" In-line panel consists of clear glass for clear and patterned glass options; textured glass options will have matching panel.
- Maximum 3-1/2" width adjustability w/ in-line panel
- For right-side or left-side opening

**Installation**

- Not for use in hospitality.
- For residential use only.

**Included Components**

Additional Components:  
Hardware kit



**Codes/Standards**

ANSI Z97.1  
CPSC 16CFR 1201

**STERLING® Warranty - Bath and Shower Doors**

See website for detailed warranty information.

**Available Colors/Finishes**

*Color tiles intended for reference only.*

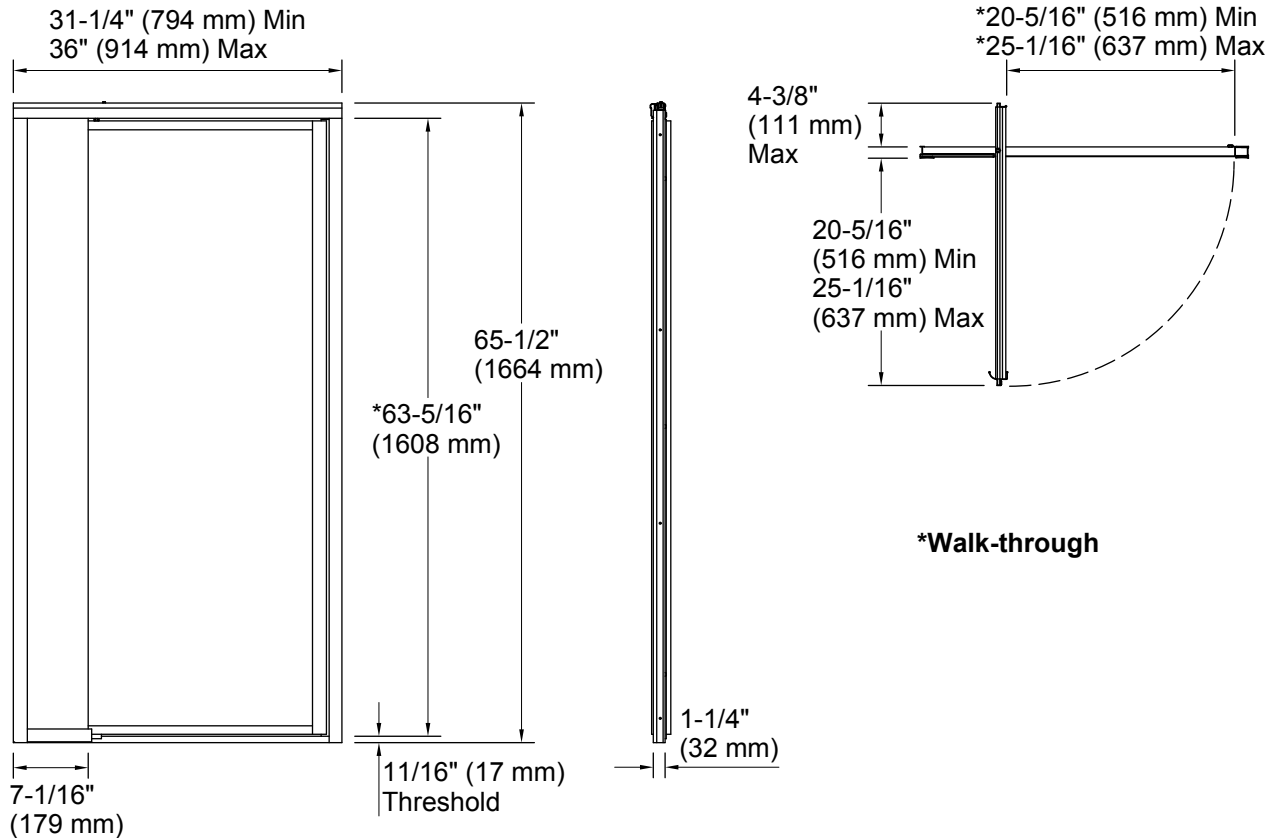
Color	Code	Description
-------	------	-------------

	S	
--	---	--

**Available Glass Options**

Code	Description
------	-------------

	Ellipse
--	---------



**Technical Information**

All product dimensions are nominal.  
 Installation type: For shower base installation  
 Opening Width - Min: 31-1/4" (794 mm)  
 Opening Width - Max: 36" (914 mm)  
 Walk-through - Min: 20-5/16" (516 mm)  
 Walk-through - Max: 25-1/16" (637 mm)  
 Glass thickness: 1/8" (3 mm)

**Notes**

Install this product according to the installation guide.  
 The vertical opening should be a minimum of 67" (1702 mm) to allow for installation clearance.