



Middleton®

Top-mount Kitchen Sink

14707-3

Features

- Top-mount
- Three faucet holes
- 7"-deep double bowls
- 3-5/8" drain opening
- Stainless steel with durable satin finish
- SilentShield technology
- 21-gauge stainless steel
- Lifetime limited warranty

Recommended Products/Accessories

11861 Sink Rack
7400 Sink Strainer
K-6039 Sink Rack

Included Components

Product consists of:
1150001 Installation Clips

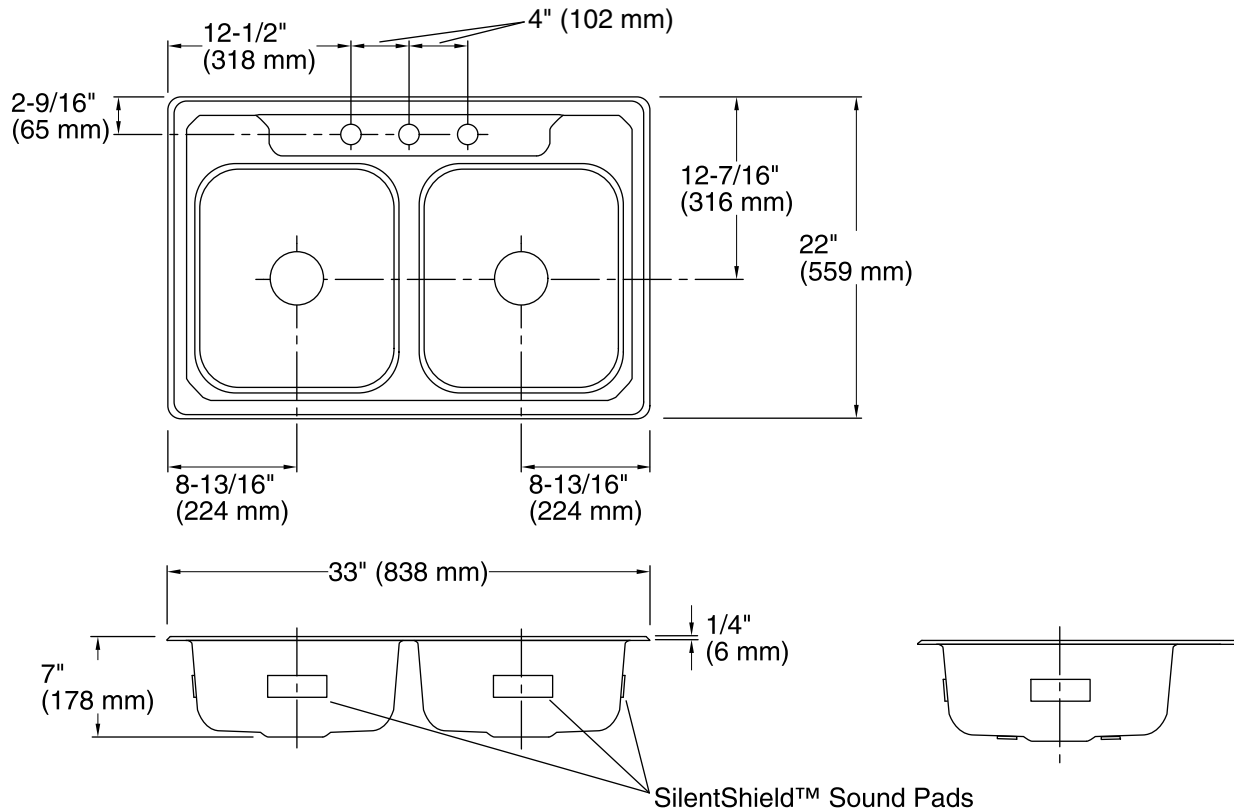


Codes/Standards

ASME A112.19.3/CSA B45.4

STERLING® Warranty - Stainless Steel Sinks

See website for detailed warranty information.



Technical Information

All product dimensions are nominal.

Bowl configuration: Double equal

Installation: Top-mount

Cutout: Top-mount, 32-1/2" x 21-1/2" (826 mm x 546 mm) with 1/2" (13 mm) radius corners

Min. base cabinet width: 36" (914 mm)

Bowl area (Left): Length: 14" (356 mm)
Width: 15-1/8" (384 mm)
Bowl depth: 7" (178 mm)
Water depth: 7" (178 mm)

Bowl area (Right): Length: 14" (356 mm)
Width: 15-1/8" (384 mm)
Bowl depth: 7" (178 mm)
Water depth: 7" (178 mm)

Number of deck holes: 3

Faucet hole(s): 1-7/16" (37 mm)

Drain hole: 3-5/8" (92 mm)

Notes

Install this product according to the installation instructions.

Measure your actual product for roughing-in details.