



# Middleton®

## Top-mount Kitchen Sink

### 14631-3

#### Features

- Top-mount
- Three faucet holes
- 6"-deep single bowl
- 3-5/8" drain opening
- Stainless steel with luster finish
- SilentShield technology
- 20-gauge stainless steel
- Lifetime limited warranty
- ADA-adaptable when installed per the requirements of the Accessibility Guidelines, Section 606 Sinks, of the Act



#### Recommended Products/Accessories

7400 Sink Strainer

#### Included Components

Product consists of:

1150001 Installation Clips

ADA

#### Codes/Standards

ASME A112.19.3/CSA B45.4

ADA

ICC/ANSI A117.1

#### STERLING® Warranty - Stainless Steel Sinks

See website for detailed warranty information.

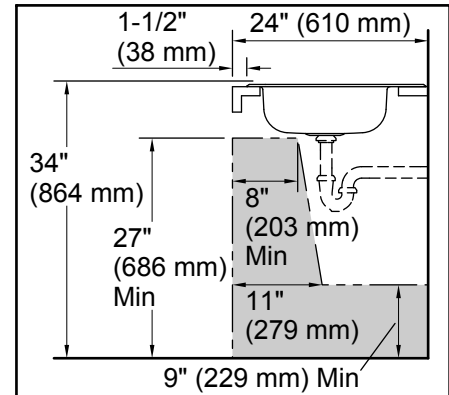
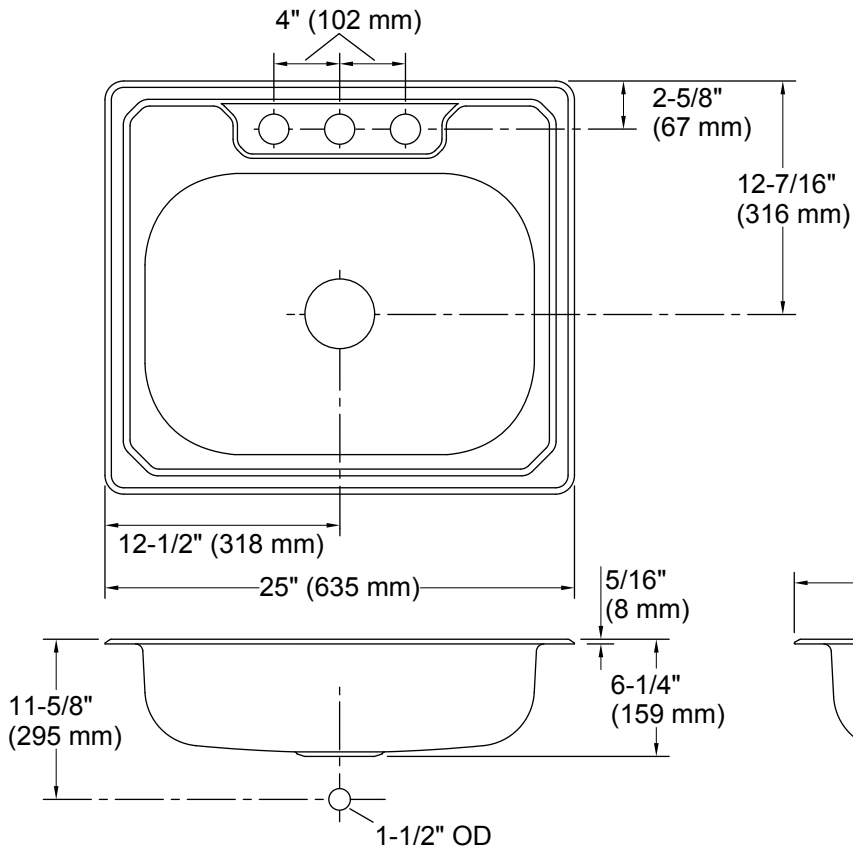
---

1-800-STERLING (1-800-783-7546)

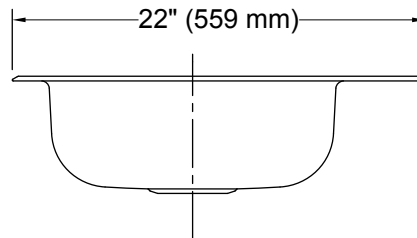
Kohler Co. reserves the right to make revisions without notice to product specifications.

For the most current Specification Sheet, go to [www.sterlingplumbing.com](http://www.sterlingplumbing.com).

4-25-2019 18:32 - US



**Recommended ADA Installation**



**Technical Information**

All product dimensions are nominal.

- Bowl configuration: Single
- Installation: Top-mount
- Cutout: Top-mount, 24-1/2" x 21-1/2" (622 mm x 546 mm) with 11/16" (18 mm) radius corners
- Bowl area (Only): Length: 25" (635 mm)  
Width: 22" (559 mm)  
Bowl depth: 6" (152 mm)  
Water depth: 6" (152 mm)
- Number of deck holes: 3
- Faucet hole(s): 1-7/16" (37 mm)
- Drain hole: 3-5/8" (92 mm)

**Notes**

- Install this product according to the installation instructions.
- Measure your actual product for roughing-in details.
- ADA compliant when installed to the specific requirements of these regulations.