



## Top-mount Kitchen Sink 14619-4

### Features

- Top-mount
- Four faucet holes
- 6"-deep double bowls
- 3-5/8" drain opening, no overflow
- Stainless steel with luster basin finish and a satin deck finish
- SilentShield technology
- 20-gauge stainless steel
- Five-year lifetime limited warranty
- ADA-adaptable when installed per the requirements of the Accessibility Guidelines, Section 606, of the act

### Recommended Products/Accessories

7400 Sink Strainer

### Included Components

Product consists of:

1150001 Installation Clips



ADA

### Codes/Standards

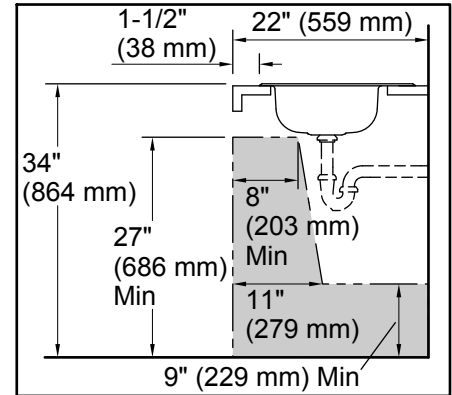
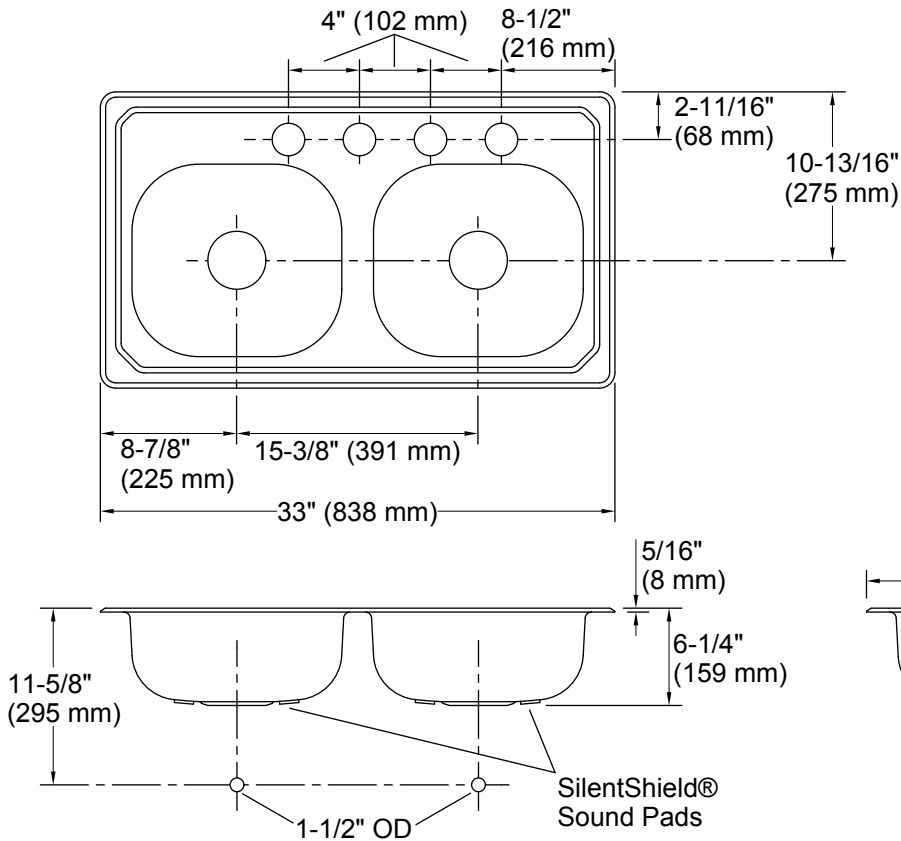
ASME A112.19.3/CSA B45.4

ADA

ICC/ANSI A117.1

### STERLING® Warranty - Stainless Steel Sinks

See website for detailed warranty information.



**Recommended ADA Installation**

**Technical Information**

All product dimensions are nominal.

- Bowl configuration: Double equal
- Installation: Top-mount
- Cutout: Top-mount, 32-1/2" x 18-1/2" (826 mm x 470 mm) with 3/4" (19 mm) radius corners
- Bowl area (Left): Bowl depth: 6" (152 mm)  
Water depth: 6" (152 mm)
- Bowl area (Right): Bowl depth: 6" (152 mm)  
Water depth: 6" (152 mm)
- Number of deck holes: 4
- Faucet hole spacing: 4" (102 mm)
- Faucet hole(s): 1-7/16" (37 mm)
- Drain hole: 3-5/8" (92 mm)

**Notes**

- Install this product according to the installation instructions.
- Measure your actual product for roughing-in details.
- ADA compliant when installed to the specific requirements of these regulations.