



Top-mount/Under-mount Sink 1181-0

Features

- Drop-in or under-mount installation
- 20-gauge stainless steel with mirror finish
- No faucet holes; accommodates either a wall-mount or countertop faucet
- Center drain, no overflow

Optional Products/Accessories

7400 Sink Strainer

Included Components

Product consists of:

1069536 Mounting Hardware for Under-mount Installation

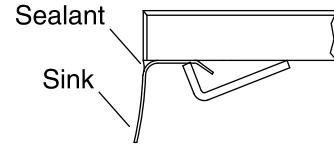
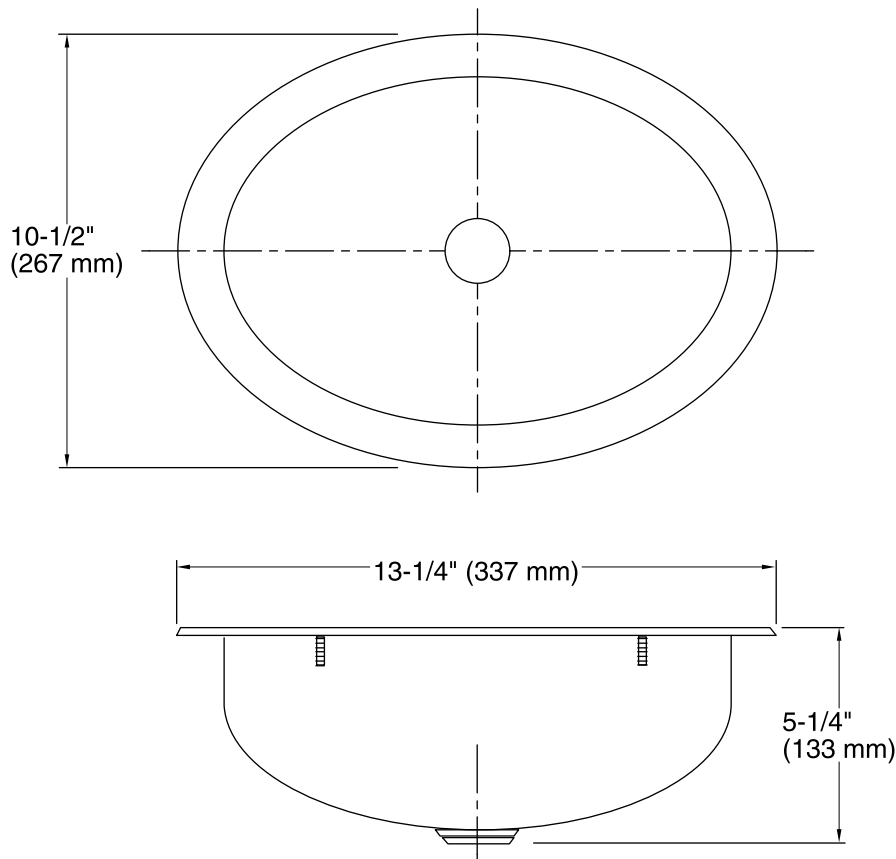


Codes/Standards

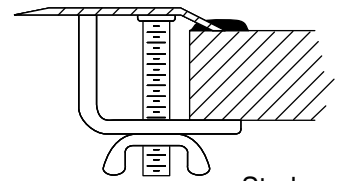
ASME A112.19.3/CSA B45.4

STERLING® Warranty - Stainless Steel Sinks

See website for detailed warranty information.



Under-mount Installation



Stud mounting provides easy installation

Top-mount Installation

Technical Information

All product dimensions are nominal.

- Bowl configuration: Single
- Installation: Top-mount, Under-mount
- Bowl area: Length: 10-1/2" (267 mm)
Diameter: 10-1/2" (267 mm)
Bowl depth: 5" (127 mm)
Water depth: 5" (127 mm)
- Drain hole: 1-3/4" (44 mm)
- Template: 1033117-7, not required, included

Notes

Install this product according to the installation instructions.