



Cinch®

Under-Mount Kitchen Sink

11723

Features

- Under-mount
- No faucet holes to accommodate either wall-mount or countertop faucets
- 9"-deep double bowls
- 3-5/8" rear drain openings
- Stainless steel with luster finish
- SilentShield technology
- 18-gauge stainless steel
- Lifetime limited warranty



Recommended Products/Accessories

- 7400 Sink Strainer
- 15288 Sink Rack
- 15289 Sink Rack

Included Components

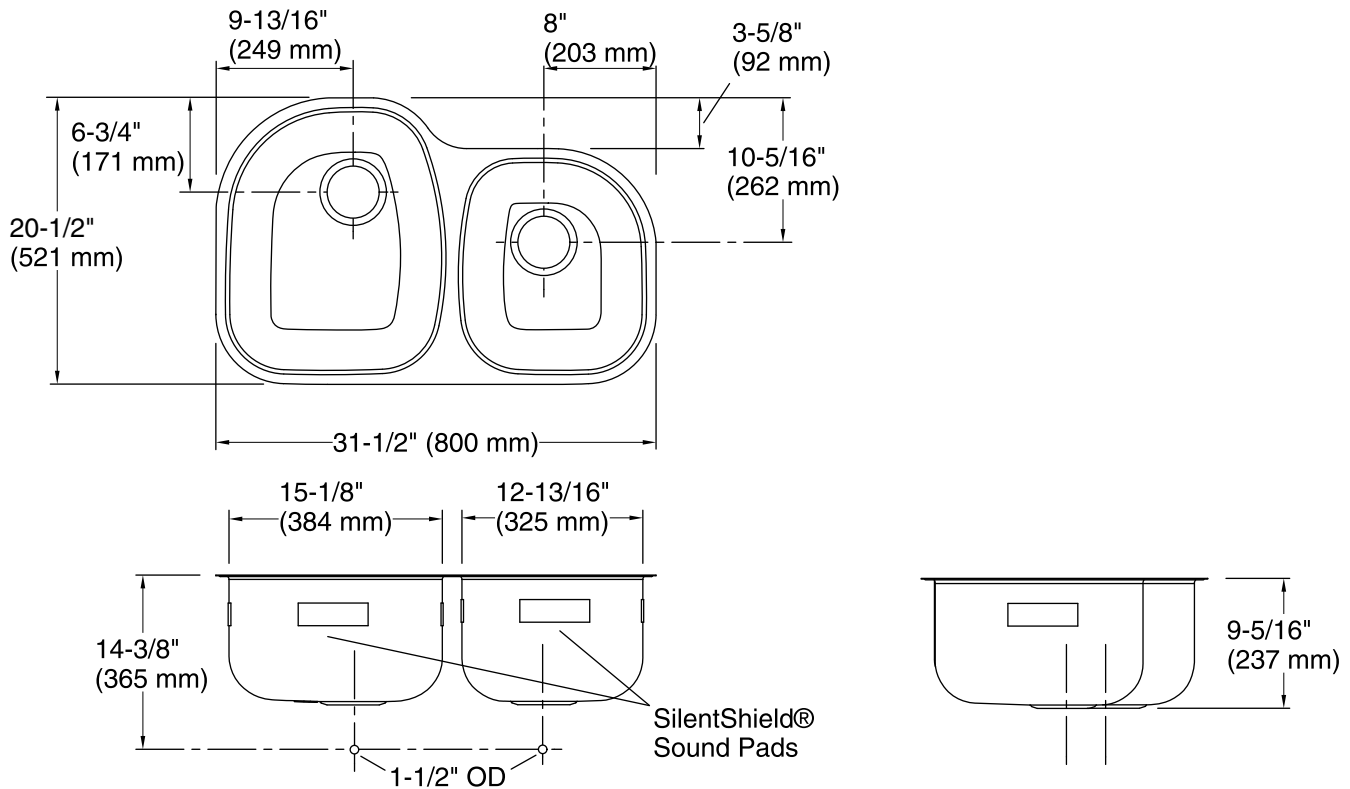
- Product consists of:
- 91915 Hardware Kit

Codes/Standards

ASME A112.19.3/CSA B45.4

STERLING® Warranty - Stainless Steel Sinks

See website for detailed warranty information.



Technical Information

All product dimensions are nominal.

Bowl configuration: Off-set Large/small

Installation: Under-mount

Bowl area (Left): Length: 15-1/8" (384 mm)
Width: 18-1/2" (470 mm)
Bowl depth: 9-5/16" (237 mm)
Water depth: 9-5/16" (237 mm)

Bowl area (Right): Length: 12-13/16" (325 mm)
Width: 14-7/8" (378 mm)
Bowl depth: 9-5/16" (237 mm)
Water depth: 9-5/16" (237 mm)

Drain hole: 3-5/8" (92 mm)

Template: 1105667-7, required, included

Notes

Install this product according to the installation instructions.

Measure your actual product for roughing-in details.