



Cinch®
Under-Mount Kitchen Sink
11723-1

Features

- Under-mount
- Single faucet hole
- 9-5/16"-deep double bowl
- 3-5/8" rear drain openings
- Stainless steel with a luster finish
- SilentShield technology
- 18-gauge stainless steel
- Lifetime limited warranty

Recommended Products/Accessories

- 7400 Sink Strainer
- 15288 Sink Rack
- 15289 Sink Rack

Included Components

- Product consists of:
- 91915 Hardware Kit

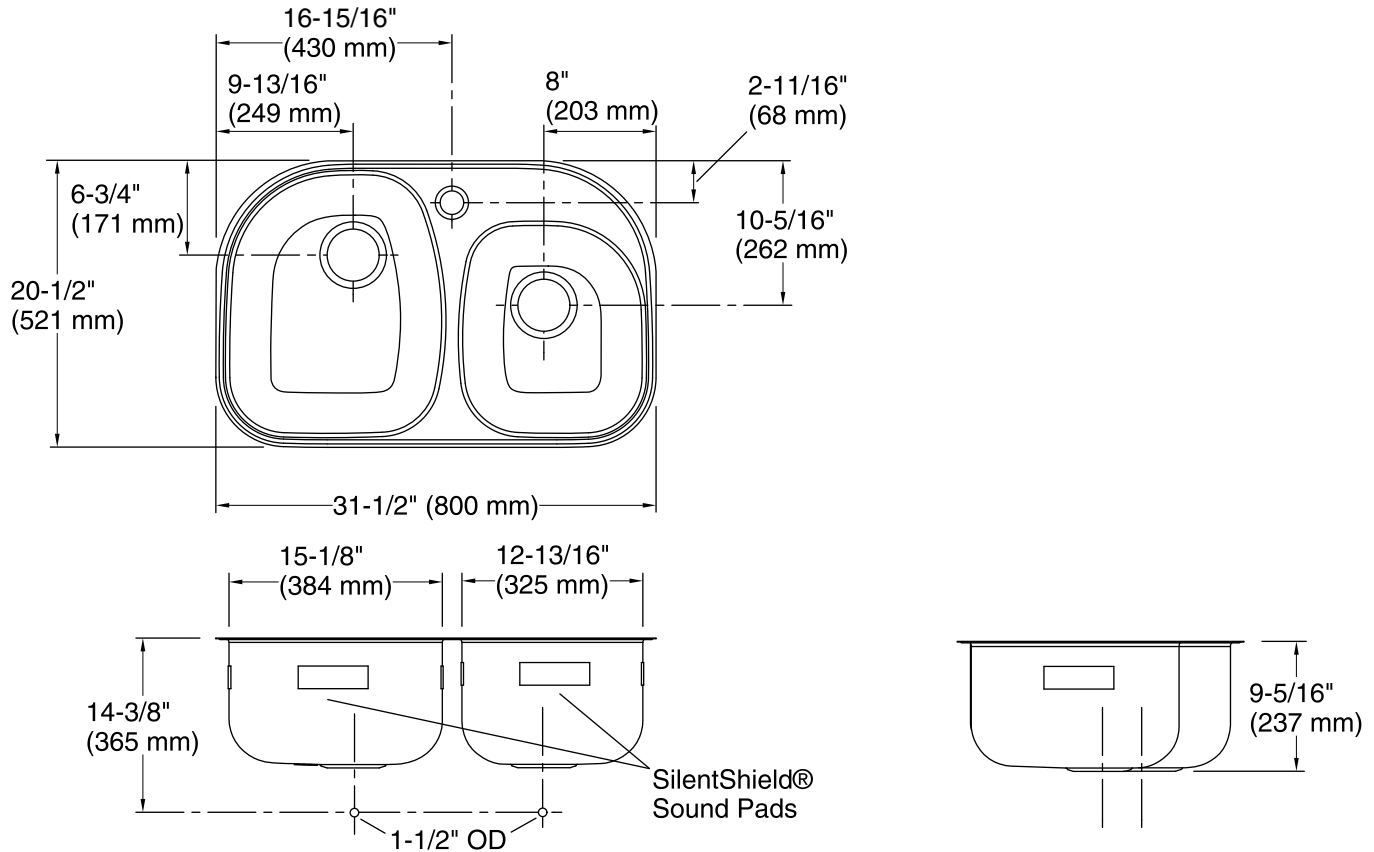


Codes/Standards

ASME A112.19.3/CSA B45.4

STERLING® Warranty - Stainless Steel Sinks

See website for detailed warranty information.



Technical Information

All product dimensions are nominal.

- Bowl configuration: Off-set Large/small
- Installation: Under-mount
- Bowl area (Left): Length: 15-1/8" (384 mm)
Width: 18-1/2" (470 mm)
Bowl depth: 9-5/16" (237 mm)
Water depth: 9-5/16" (237 mm)
- Bowl area (Right): Length: 12-13/16" (325 mm)
Width: 14-7/8" (378 mm)
Bowl depth: 9-5/16" (237 mm)
Water depth: 9-5/16" (237 mm)
- Number of deck holes: 1
- Faucet hole(s): 1-3/8" (35 mm)
- Drain hole: 3-5/8" (92 mm)
- Template: 1105667-7, required, included

Notes

- Install this product according to the installation instructions.
- Measure your actual product for roughing-in details.