



Cinch®
Under-Mount Kitchen Sink
11722

Features

- Under-mount
- No faucet holes to accommodate either wall-mount or countertop faucets
- 9-5/16"-deep single bowl
- 3-5/8" rear drain opening
- Stainless steel with a luster finish
- SilentShield technology
- 18-gauge stainless steel
- Lifetime limited warranty

Recommended Products/Accessories

7400 Sink Strainer
15287 Sink Rack

Included Components

Product consists of:
91915 Hardware Kit

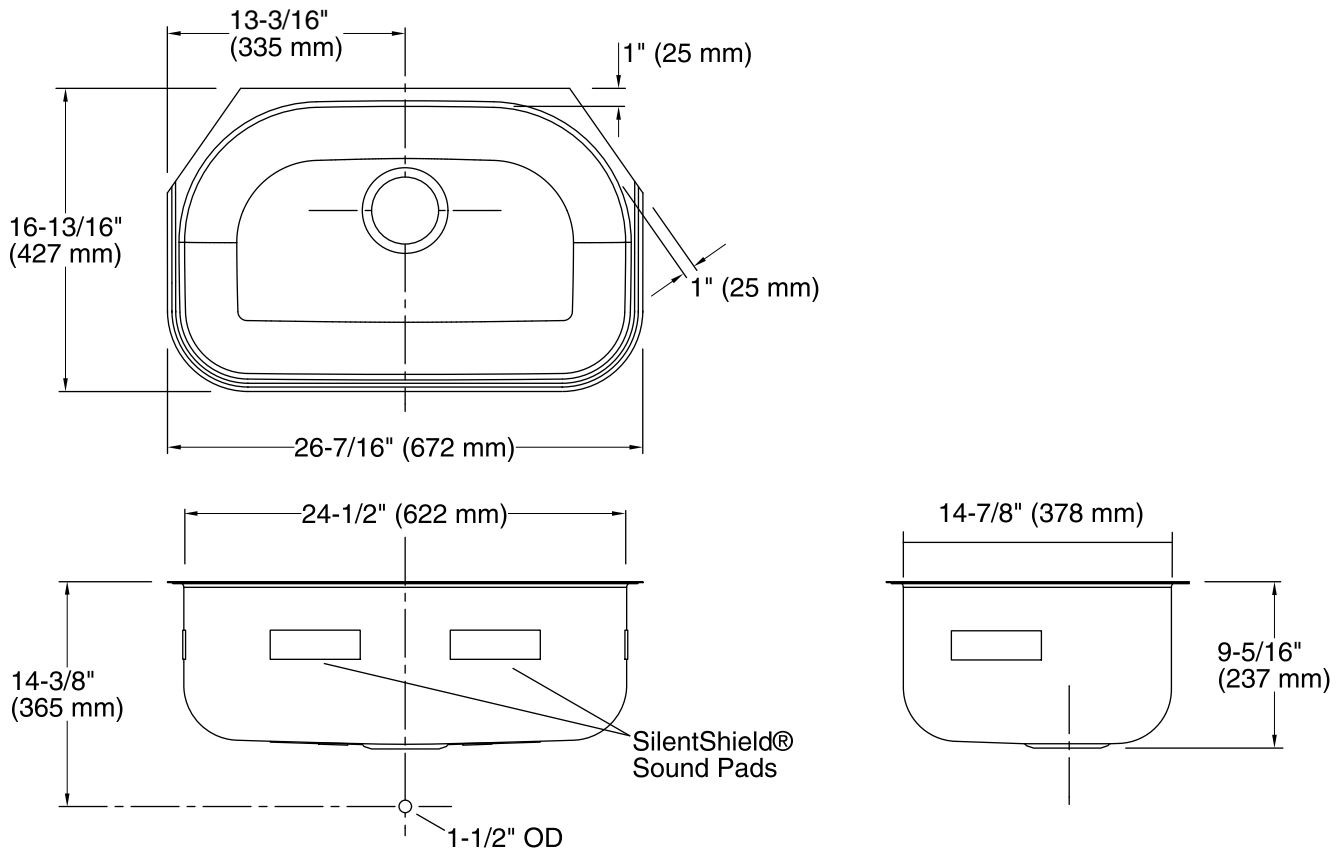


Codes/Standards

ASME A112.19.3/CSA B45.4

STERLING® Warranty - Stainless Steel Sinks

See website for detailed warranty information.



Technical Information

All product dimensions are nominal.

- Bowl configuration: Single
- Installation: Under-mount
- Min. base cabinet width: 30" (762 mm)
- Bowl area (Only): Length: 24-1/2" (622 mm)
Width: 14-7/8" (378 mm)
Bowl depth: 9-5/16" (237 mm)
Water depth: 9-5/16" (237 mm)
- Drain hole: 3-5/8" (92 mm)
- Template: 1105665-7, required, included

Notes

- Install this product according to the installation instructions.
- Measure your actual product for roughing-in details.