



# Carthage®

## Under-Mount Kitchen Sink

### 11605

#### Features

- Under-mount
- No faucet holes to accommodate either wall-mount or countertop faucets
- 9-5/16"-deep single bowl
- 3-5/8" rear drain opening
- Stainless steel with a luster finish
- SilentShield technology
- 18-gauge stainless steel
- Lifetime limited warranty

#### Recommended Products/Accessories

7400 Sink Strainer  
11867 Sink Rack

#### Included Components

Product consists of:  
91915 Hardware Kit

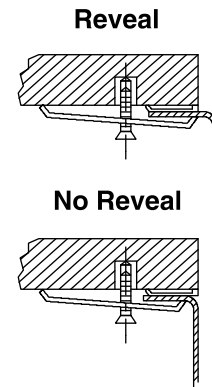
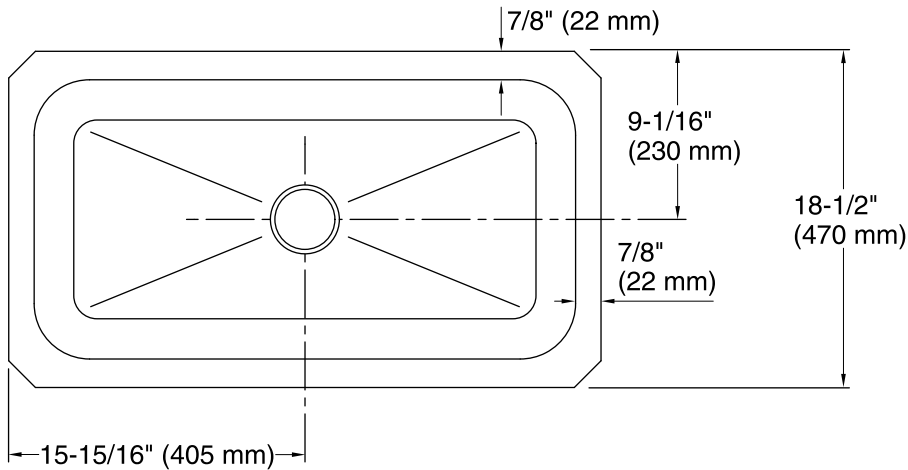


#### Codes/Standards

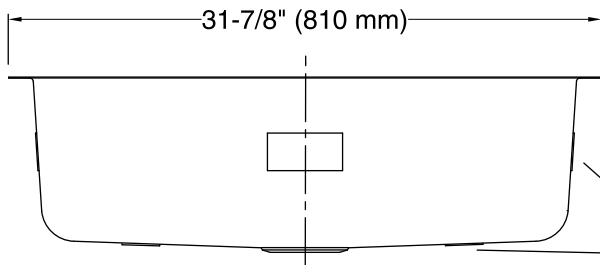
ASME A112.19.3/CSA B45.4

#### STERLING® Warranty - Stainless Steel Sinks

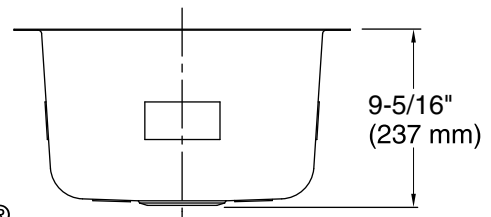
See website for detailed warranty information.



*Mounting bracket assembly provides a secure installation.*



SilentShield®  
Sound Pads



**Technical Information**

All product dimensions are nominal.

- Bowl configuration: Single
- Installation: Under-mount
- Bowl area (Only): Length: 29-1/2" (749 mm)  
Width: 15-3/4" (400 mm)  
Bowl depth: 9" (229 mm)  
Water depth: 9" (229 mm)
- Drain hole: 3-5/8" (92 mm)
- Template: 1315844-7, required, included

**Notes**

- Install this product according to the installation instructions.
- Measure your actual product for roughing-in details.
- Use the supplied cut-out template to select either a hidden or exposed rim.