



Southaven®

Top-mount Kitchen Sink
11404-4

Features

- Top-mount
- Four faucet holes
- 7"-deep single bowl
- 3-5/8" drain opening
- Stainless steel with durable satin finish
- SilentShield technology
- 20-gauge stainless steel
- Lifetime limited warranty

Recommended Products/Accessories

7400 Sink Strainer
K-6139 Sponge Caddy

Included Components

Product consists of:
1150001 Installation Clips



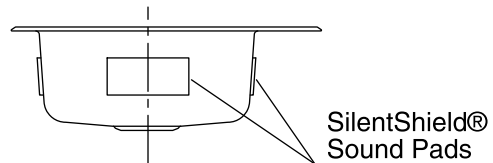
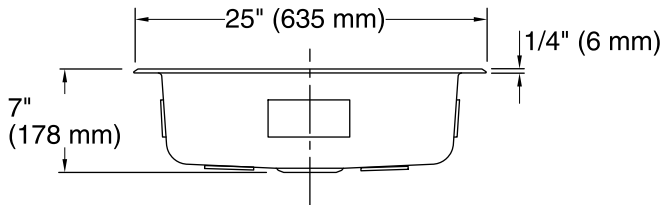
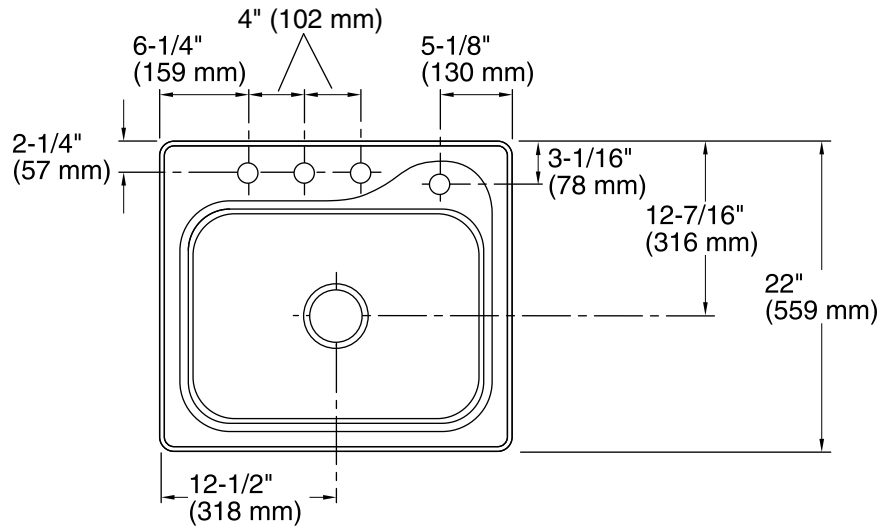
ADA

Codes/Standards

ASME A112.19.3/CSA B45.4
ADA
ICC/ANSI A117.1

STERLING® Warranty - Stainless Steel Sinks

See website for detailed warranty information.



Technical Information

All product dimensions are nominal.

- Bowl configuration: Single
- Installation: Top-mount
- Cutout: Top-mount, 24-1/2" x 21-1/2" (622 mm x 546 mm) with 1/2" (13 mm) radius corners
- Min. base cabinet width: 27" (686 mm)
- Bowl area (Only): Length: 21" (533 mm)
Width: 15-1/4" (387 mm)
Bowl depth: 7" (178 mm)
Water depth: 7" (178 mm)
- Number of deck holes: 4
- Faucet hole spacing: 4" (102 mm)
- Faucet hole(s): 1-7/16" (37 mm)
- Drain hole: 3-5/8" (92 mm)
- Template: 1032928-7, not required, not included

Notes

- Install this product according to the installation instructions.
- Measure your actual product for roughing-in details.
- ADA compliant when installed to the specific requirements of these regulations.