

STERLING®

A KOHLER COMPANY

STAINLESS STEEL SINGLE BASIN SINK 1319

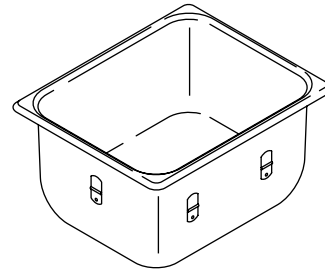
Features

- *Single compartment*
- *Self-rimming*
- *Includes SilentShield™ sound-absorption technology*
- *22-gauge stainless steel*
- *Satin deck, buffed basin*
- *13" (33 cm) x 10-3/4" (27.3 cm) x 6" (15.2 cm)*

Codes/Standards Applicable

Specified model meets or exceeds the following:

- *ASME A112.19.3*



Colors/Finishes

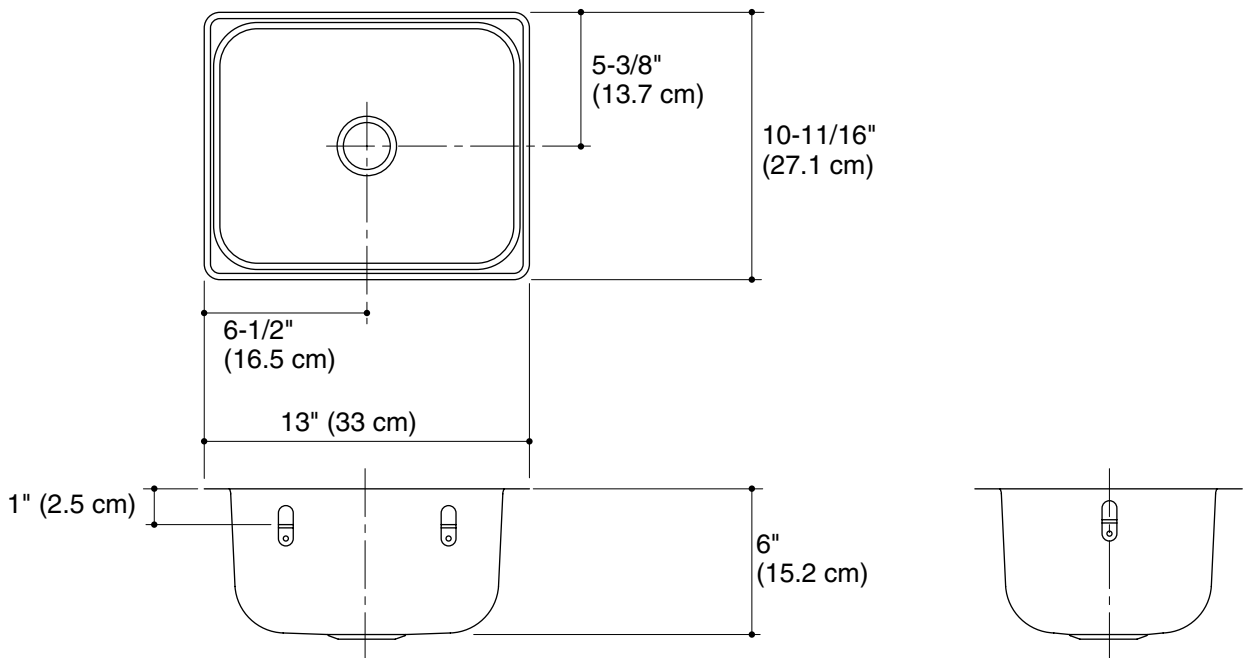
- NA: None applicable

Specified Model

Model	Description	Colors/Finishes
1319-0	Stainless steel, single basin sink	<input type="checkbox"/> NA

Technical Information

Fixture:*		basin area
Sink		11-3/4" (29.8 cm) x 9-3/8" (23.8 cm)
Drain hole	2" (5 cm) D.	
* Approximate measurements for comparison only.		
Cutout	12-1/2" (31.8 cm) x 10-1/4" (26 cm) with 1/2" (1.3 cm) radius corners	



Product Diagram