

TOP-MOUNT KITCHEN SINK 14711

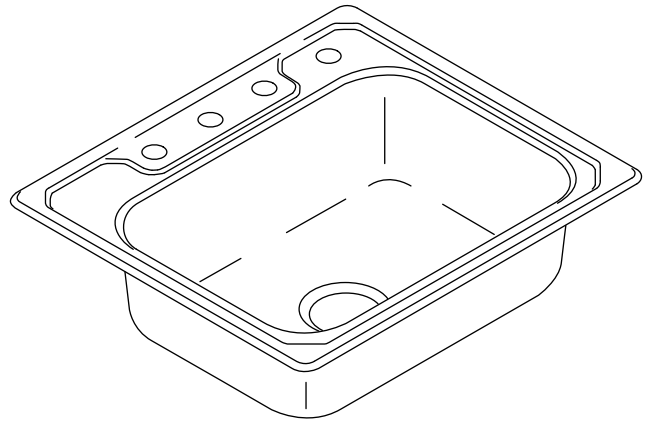
Features

- 20-gauge stainless steel
- Includes SilentShield® sound-absorption technology
- Single bowl, ledge back sink
- Top-mount, rolled rim
- Satin deck finish
- Luster bowl finish
- 25" (635 mm) x 22" (559 mm) x 8" (203 mm)

Codes/Standards Applicable

Specified model meets or exceeds the following:

- ASME A112.19.3/CSA B45.4



Colors/Finishes

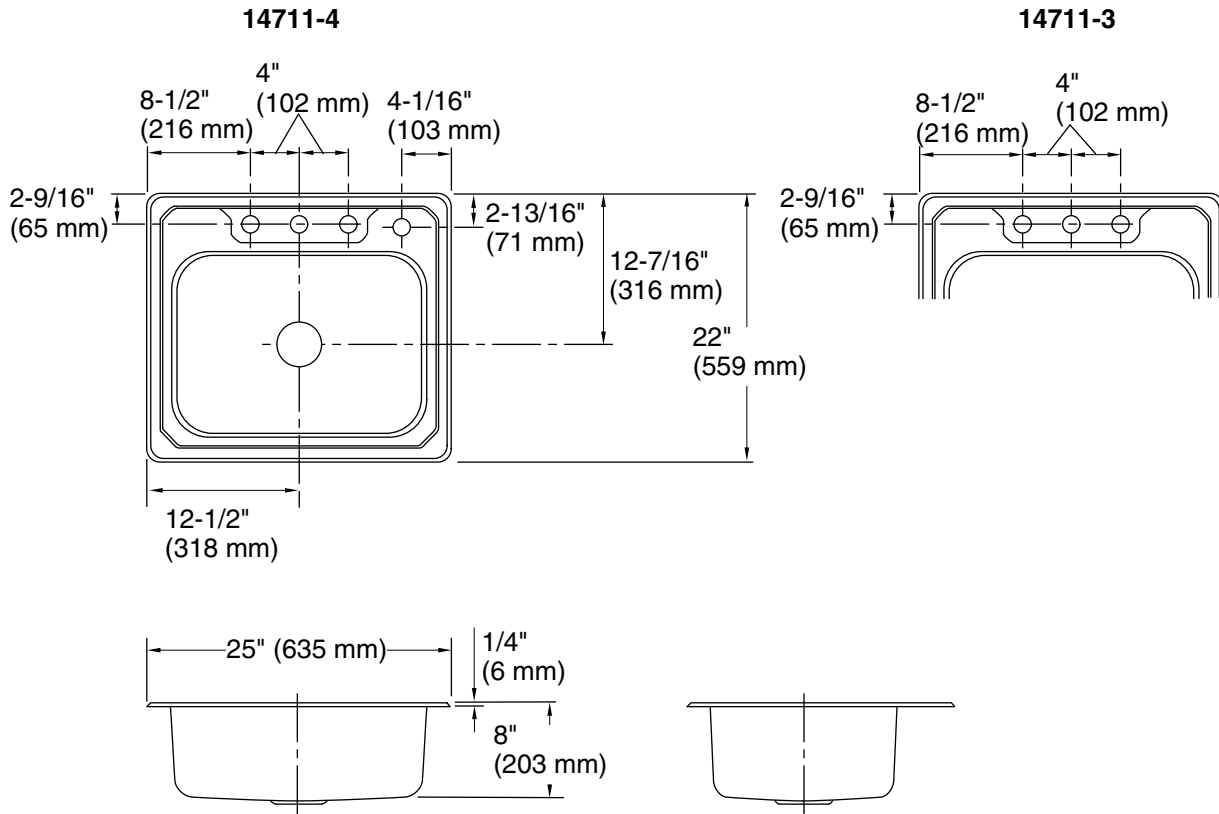
- NA: None applicable

Specified Model

Model	Description	Holes	Quantity	Bowl Depth	Colors/Finishes
14711-3	Top-mount kitchen sink	3	1	8" (203 mm)	<input type="checkbox"/> NA
14711-4	Top-mount kitchen sink (shown)	4	1	8" (203 mm)	<input type="checkbox"/> NA
F14711-3	Top-mount kitchen sink, multi-pack	3	40	8" (203 mm)	<input type="checkbox"/> NA
F14711-4	Top-mount kitchen sink, multi-pack	4	40	8" (203 mm)	<input type="checkbox"/> NA

Technical Information

Fixture*:	
Cutout size	24-1/2" (622 mm) x 21-1/2" (546 mm) with 1/2" (13 mm) radius corners
Bowl area	21" (533 mm) x 15-1/4" (387 mm)
Drain hole	Ø 3-5/8" (92 mm)
Faucet holes	Ø 1-7/16" (37 mm)
* Approximate measurements for comparison only.	



Product Diagram