

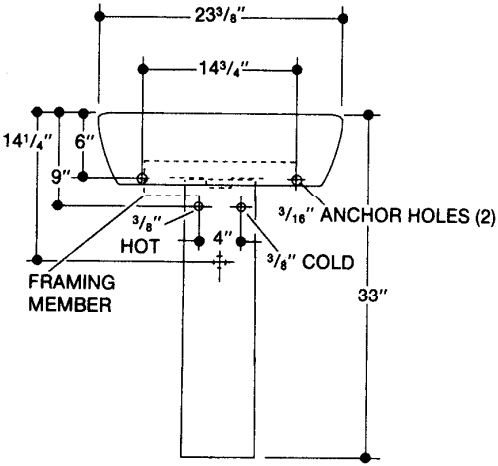
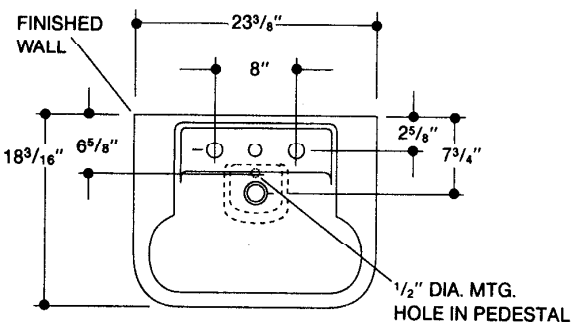


INSTALLATION INSTRUCTIONS

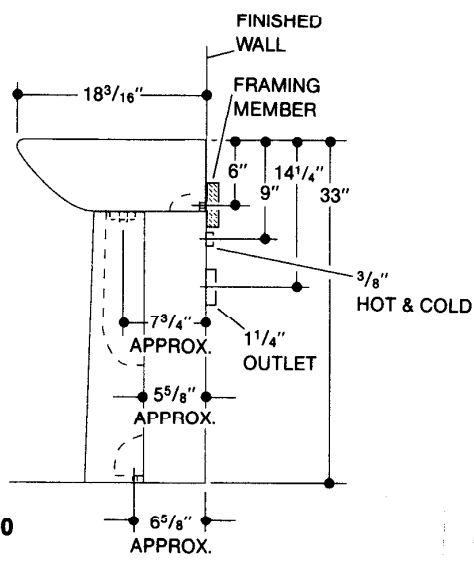
Southampton™ Vitreous China
Deluxe Pedestal Lavatory
Model 442428

Roughing-in Information

Basin Model 446428



Pedestal Model 448420



Specifications

- Deluxe Pedestal Lavatory combination... 442428
 - Deluxe Basin with 8" widespread faucet holes... 446428
 - Pedestal... 448420
 - Rubber pads (10)... 63069
 - Accessory pack... 52204

Supporting Documents

- Installation Instructions... 112781
- Specifications... 112780

Warranty Service

Contact: Sterling Plumbing Group, Inc.
Consumer Service Department
Phone: (708) 734-1777
(800) 458-4565

Standard

Meets or exceeds all applicable ASME/ANSI A112.19.2M-1990 standards for vitreous china plumbing fixtures.



FOR REPLACEMENT PARTS CONTACT YOUR STERLING PLUMBING PRODUCTS DEALER.

THESE INSTRUCTIONS CONTAIN WARRANTY AND MAINTENANCE INFORMATION. PLEASE SAVE FOR FUTURE REFERENCE.

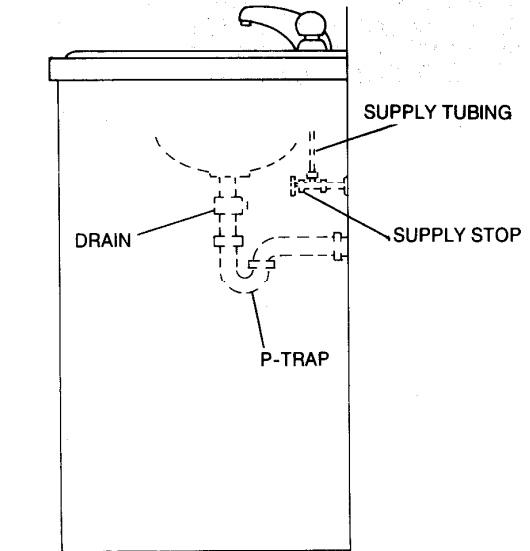
1 Planning

Before you remove your old fixture, unpack the new pedestal lavatory and carefully inspect each part for any damage that may have occurred during shipment. If damage is discovered, contact your place of purchase. You do not want to discover damage after the pedestal lavatory has been installed. Until you are ready to begin installation, place the pedestal lavatory in a safe place to prevent damage. Check contents of carton for furnished materials.

Refer to the illustration on the front page noting fixture dimensions and locations of water supply and outlet. For new construction, refer to the dimensions on the front page for locating the supply stop. **OBSERVE ALL LOCAL PLUMBING CODES.**

IMPORTANT: Make sure the wall and floor are square and plumb to ensure proper installation.

NOTE: These instructions are for installing the lavatory to wood frame construction. For other installations, supply suitable bracing and fastening devices of sufficient size and strength.

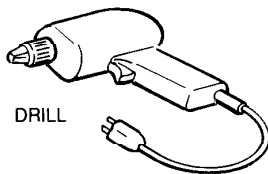
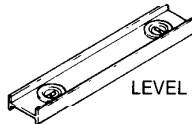


Tools Required

- Adjustable wrench
- Wrench, open end, 1/2" and 9/16"
- Pipe wrench
- Tubing cutter
- Common pliers
- Tape measure
- Pencil
- Drill
- 3/16" drill bit
- Level

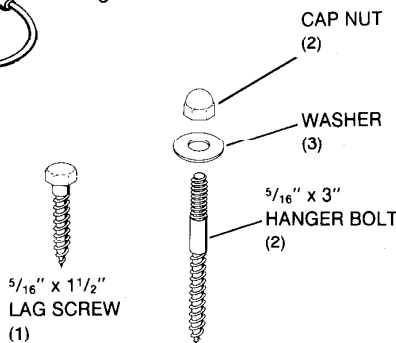


COMMON PLIERS



Materials Required

- Self-adhesive rubber pads (furnished)
- Accessory pack (furnished)
- Washer 3 ea.
- Hanger bolt 2 ea.
- Lag screw 1 ea.
- Cap nut 2 ea.
- New faucet (optional)
- Supply stops (optional)



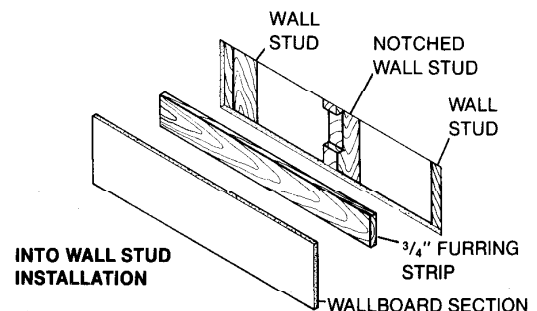
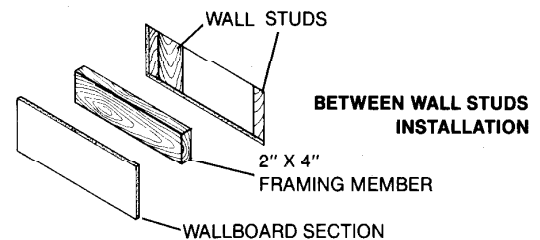
Safety Equipment

- Safety glasses



2 Remove Old Lavatory

Turn off water supply by closing the two supply stops below the lavatory. If there are no supply stops, turn off water at meter. Turn the lavatory faucet on to drain the supply lines. Disconnect and remove water supply tubes from faucet. Disconnect drain assembly and remove p-trap. Remove bolts or screws securing lavatory to the wall and floor. Move old parts aside.



3 Install Lavatory Framing Member

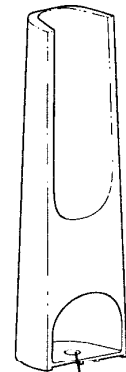
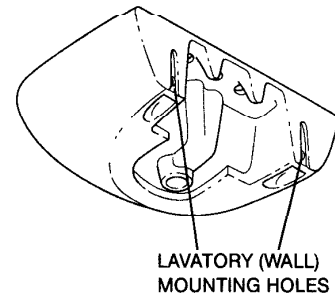
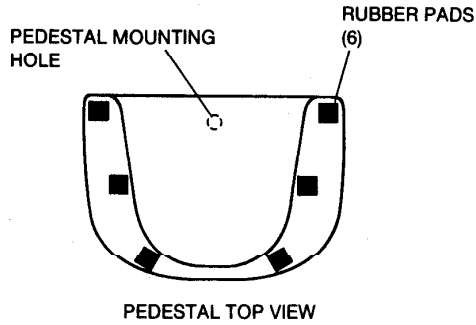
Rough-in the water supply lines and drain piping according to the front page dimensions.

NOTE: Supply stop handle, in full open position, must not extend further than 4 1/2" from finished wall or it will interfere with the back of the pedestal.

Install the lavatory framing member at the position shown on the front page.

Install and finish wallboard section before securing lavatory to wall.

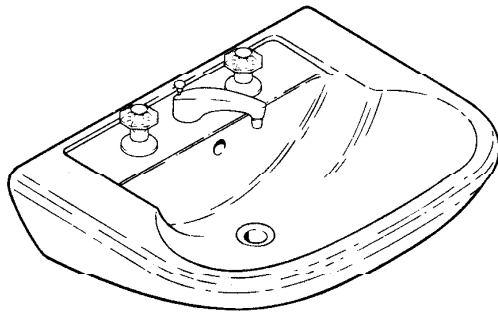
NOTE: The lavatory framing member must be firmly attached to the wall studs. Lavatory mounting hanger bolts must penetrate finished wall and framing member a minimum of 1 1/2".



4 Install Pedestal Rubber Pads

Apply six self-adhesive rubber pads to the top surface of the pedestal as shown.

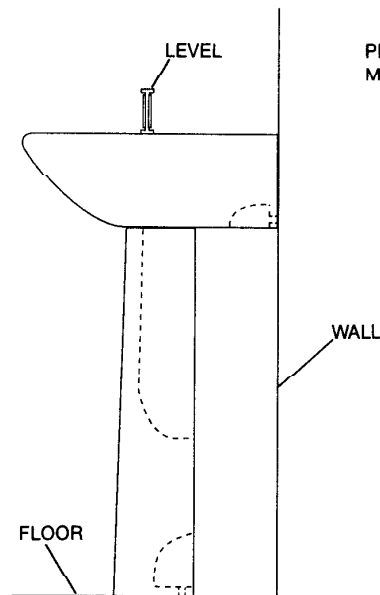
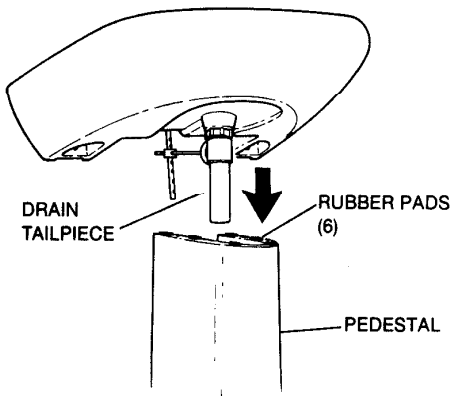
NOTE: The self-adhesive rubber pads may have to be repositioned to prevent direct contact between the vitreous china of the pedestal and the lavatory.



5 Install Faucet And Drain

Assemble faucet and drain to lavatory following manufacturer's instructions. Install tailpiece into drain body.

NOTE: In Step #12 the tailpiece will be assembled into the p-trap 1" to 2". The tailpiece may have to be cut to fit.



6 Install Lavatory On Pedestal

Carefully place the lavatory on the pedestal. Move the lavatory as required to ensure proper fit on the pedestal. If the bottom of the lavatory contacts any part of the china on the top edge of the pedestal, use additional rubber pads to shim as necessary.

7 Mark Wall And Floor

NOTE: Due to weight and size of pedestal and lavatory, the manufacturer suggests the assistance of a second person for installation.

Carefully position the lavatory, pedestal combination against the wall and on the floor at the desired location.

Place a level across the top of the lavatory basin, check level. Move the lavatory as required.

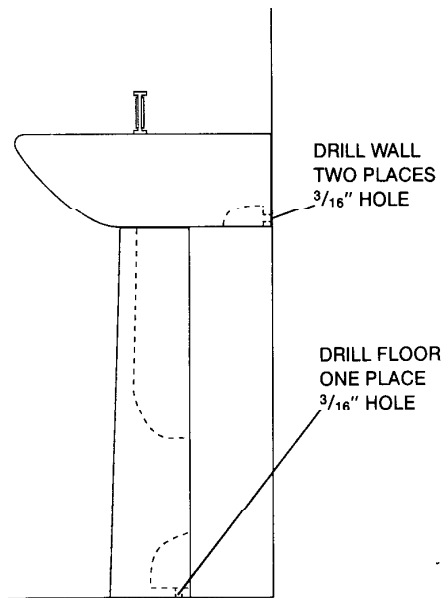
Be sure that the lavatory basin fits flush against the wall. The back of the pedestal should be approximately $5\frac{5}{8}$ " from the wall.

Check alignment of lavatory tailpiece with wall drain. Move lavatory and pedestal if not in proper position.

NOTE: To ensure proper level condition of lavatory, recheck after any repositioning of lavatory or pedestal.

Using a pencil or pen, carefully mark wall and floor mounting hole locations.

Move pedestal and lavatory away from wall.

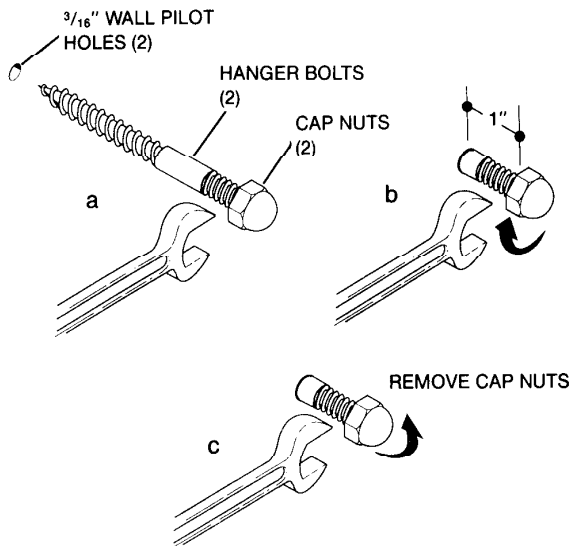


8 Drill Wall And Floor

At marked locations, drill two 3/16" holes in wall for lavatory installation.

NOTE: Drill deep enough to penetrate the lavatory framing member.

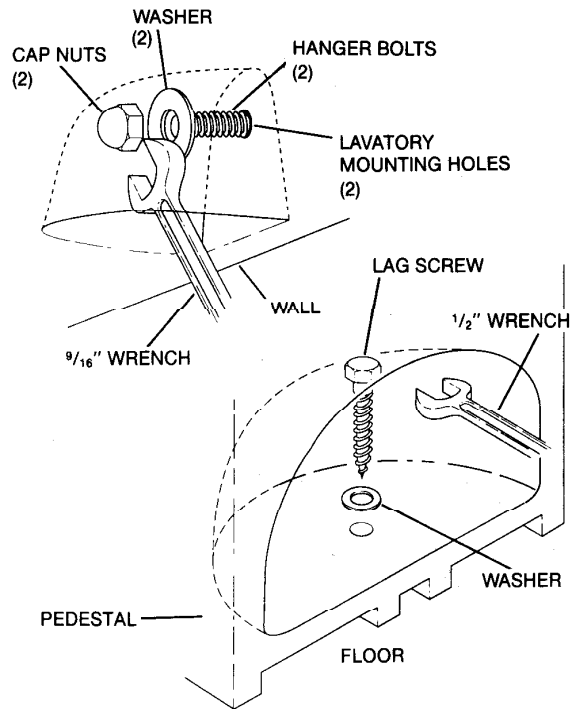
At marked location, drill one 3/16" hole in floor for pedestal installation.



9 Install Hanger Bolts

Thread cap nuts on two hanger bolts (a). Using 9/16" wrench, screw hanger bolts into predrilled wall pilot holes until 1" distance exists between inside of cap nut and finished wall (b). Remove cap nuts from hanger bolts (c). Hanger bolts will remain in wall.

NOTE: During removal of cap nuts, if hanger bolt starts to turn, grasp unthreaded portion of hanger bolt with pliers.



10 Install Lavatory And Pedestal

Move lavatory and pedestal in position on the wall and floor. Lavatory hanger bolts should extend through the mounting holes, in back of lavatory. Pedestal mounting hole should be over predrilled hole in the floor.

NOTE: The lavatory must be supported by the pedestal.

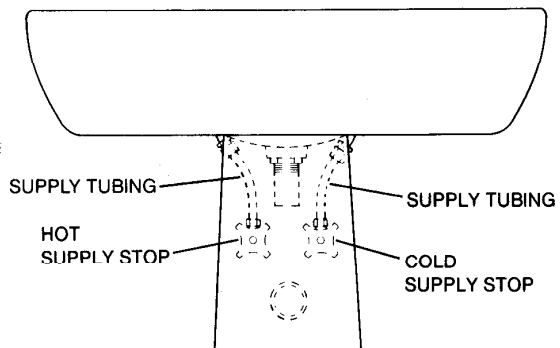
Place a washer and cap nut on each hanger bolt. Using 9/16" wrench, tighten cap nut until the washers just contact the lavatory. Place a washer on the hex head lag screw and using 1/2" wrench, screw the lag screw into the floor until the washer just contacts the pedestal.

STOP

Check fit between lavatory and pedestal. Check level of lavatory. Make small adjustments if required.

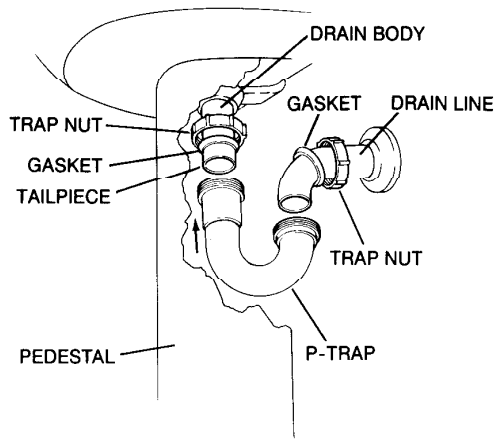
Turn each cap nut until washer is tight against lavatory. Turn lag screw until washer is tight against pedestal.

CAUTION: DO NOT OVERTIGHTEN, BREAKAGE MAY RESULT.



11 Connect Water Supply

Connect supply tubing between supply stops and faucets following manufacturer's instructions.

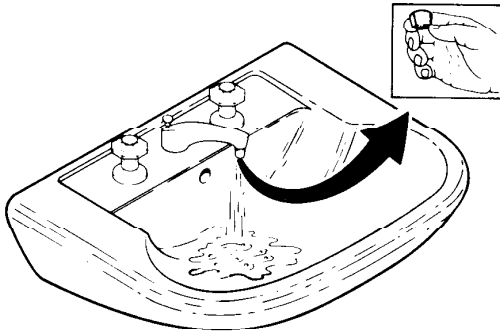
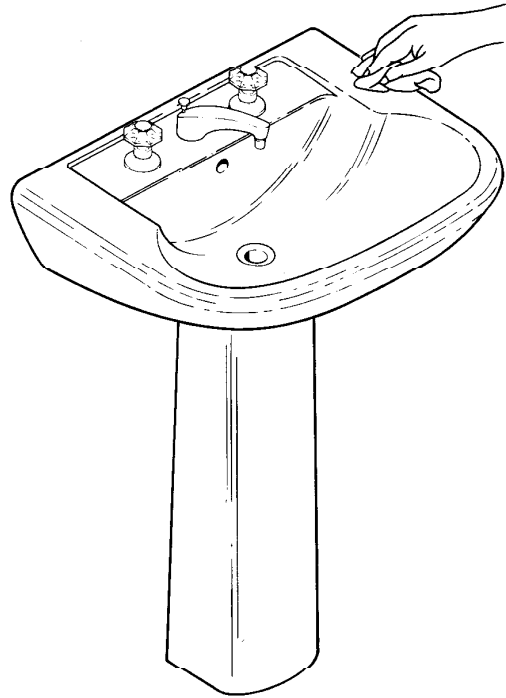


12 Connect Drain Line

Ensure that tailpiece is installed tightly into the drain body. Position trap nut and gasket on the tailpiece. Assemble the p-trap onto the tailpiece.

NOTE: Tailpiece must extend into p-trap 1" to 2". Tailpiece may have to be cut to fit.

Position gaskets against p-trap ends. Thread and tighten trap nuts onto p-trap.



13 Turn On Water Supply

Turn off faucet. Remove aerator from faucet. This allows any debris in the plumbing to pass through the faucet without lodging in the aerator. Clean any debris from screen. Turn on hot and cold water supply stops. Check for leaks at all connections and at faucet. Turn faucet on, switching between hot and cold several times. Turn faucet off. Reinstall aerator on faucet.

14 Clean Up

Clean up after installation, using warm water and a recommended vitreous china cleaner. See Care And Cleaning Vitreous China Lavatories on back page.

Care And Cleaning Vitreous China Lavatories

RECOMMENDED CLEANING PRODUCTS. If you use the cleaners listed below, your vitreous china lavatory will last for years . . . retaining its surface quality, performance and good looks.

- Lysol Direct Multi-Purpose
- Pine Magic
- Mr. Clean with Soft Abrasive
- Lysol Deodorizing
- Dow Bathroom
- Mr. Clean All-Purpose
- Lysol Pine Action
- Fantastik Bathroom
- Top Job
- Fantastik All-Purpose
- New Spic and Span
- Lime-A-Way Bath and Kitchen

DO NOT USE HARSH ABRASIVE CLEANERS.

Clean your new lavatory at least once a week using only recommended cleaners.

Water conditions in various parts of the country will determine any extra cleaning attention you give your lavatory.

STERLING VITREOUS CHINA FIXTURE LIMITED WARRANTY

Sterling warrants this vitreous china fixture to be free of manufacturing defects for five years from the date of sale. Sterling also guarantees for five years from the date of sale that its low consumption toilets will be free of manufacturing defects that prevent one flush cleansing of the bowl per ASME A112.19.6 1990 performance requirements when installed and operated per instructions packed with the product.

Sterling will, at its election, repair or replace a fixture where Sterling inspection discloses any such defects occurring in normal usage within the time period of coverage stated above. Sterling is not responsible for installation costs where replacement is indicated. Damage due to improper installation or improper maintenance are not considered manufacturing defects and are not covered by this warranty.

To obtain warranty service, contact Sterling through either your plumbing contractor, wholesaler or dealer, or by calling, (708)734-1777 or (800) 458-4565.

IMPLIED WARRANTIES INCLUDING THAT OF MERCHANTABILITY AND FITNESS FOR A PARTICULAR PURPOSE, ARE EXPRESSLY LIMITED IN DURATION TO THE DURATION OF THIS WARRANTY. STERLING PLUMBING GROUP, INC. DISCLAIMS ANY RESPONSIBILITY FOR INCIDENTAL OR CONSEQUENTIAL DAMAGES. Some states do not allow limitations on how long an implied warranty lasts, or the exclusion or limitation of incidental or consequential damages, this limitation and exclusion may not apply to you. This warranty gives you specific legal rights. You may have other rights which vary from state to state.

This is our exclusive written warranty.

STERLING
KOHLER