



Angled Series 2200A

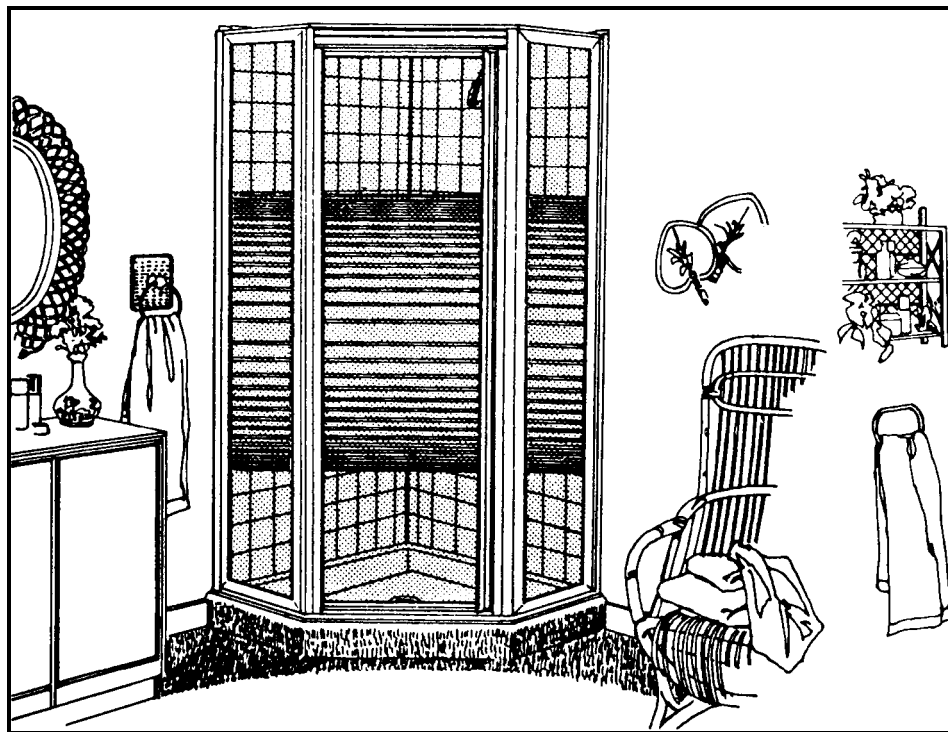
INSTALLATION INSTRUCTIONS

Please read these instructions carefully to familiarize yourself with the required tools, materials, and installation sequences. The Exploded Diagram of the door on page 3 will also provide a helpful reference when relating the location of the various parts.

MODEL NOS.

803-1395-0000
803-1403-0000
803-1411-0000
855-0105-0000

803-1643-0000
855-6128-0000
803-9505-0000
855-0121-0000



IMPORTANT: You should check with your local plumbing or building code agency about this product for compliance before it is installed.

NOTE: Shower base and wall covering must be properly installed and caulked before door can be installed.

basic tools and materials needed

TOOLS

6 FOOT FOLDING RULE OR MEASURING TAPE
HAMMER
ELECTRIC DRILL
DRILL BIT-3/16"
MASONRY BIT FOR CERAMIC TILE-3/16"
SCREWDRIVER-PHILLIPS
LEVEL
FINE FILE
CENTER PUNCH
PENCIL
SAFETY GLASSES
CAULKING GUN

MATERIALS

INSTALLED SHOWER RECEPTOR
(BASE), WALL COVERING AND
FIXTURES.
CAULK

how to care for your door

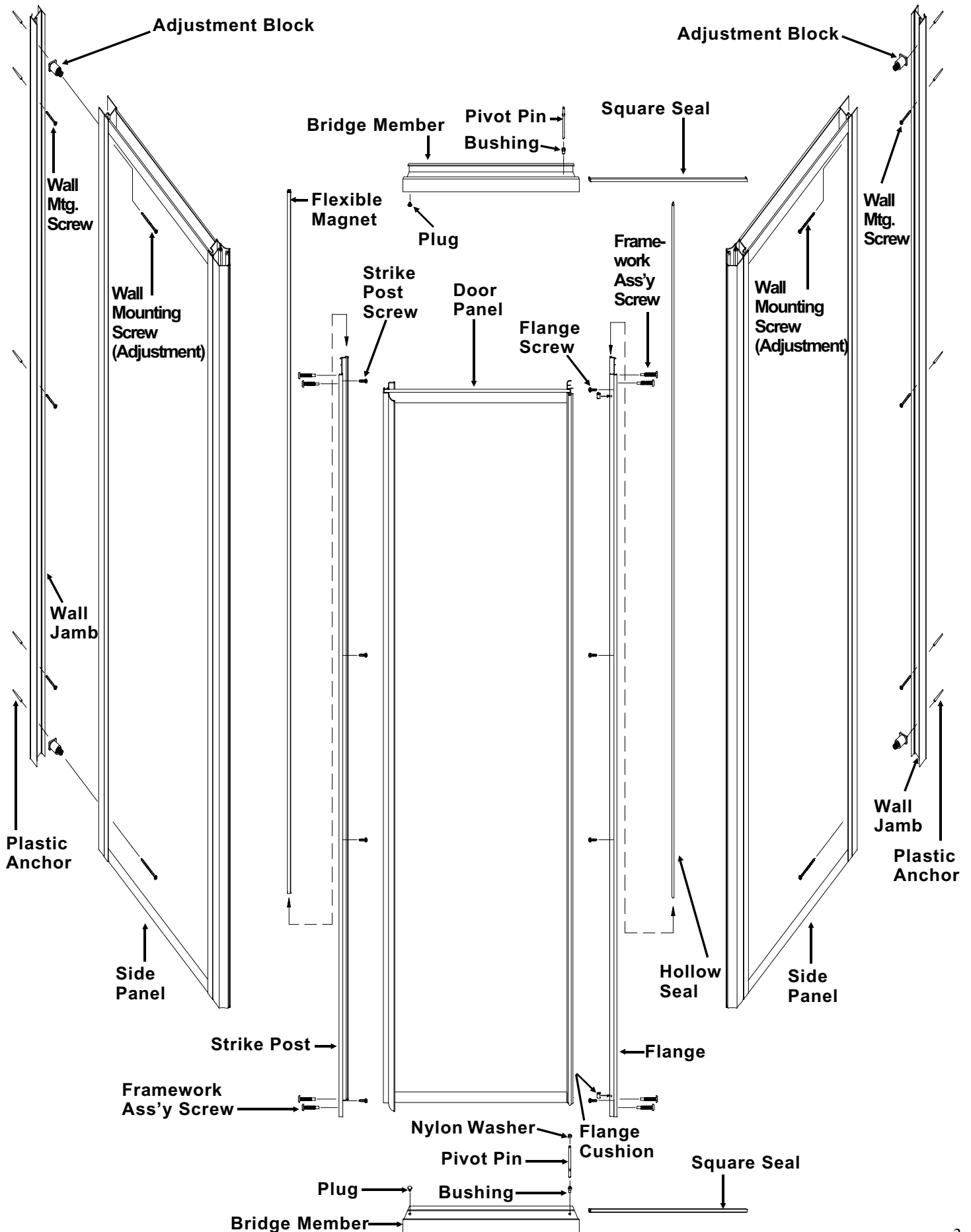
NEVER USE SCOURING POWDER, PADS OR SHARP
INSTRUMENTS ON METAL WORK OR GLASS PANELS.

The use of a squeegee following each shower is recommended
to eliminate water spots on the inside of the glass panels.

An occasional wiping down with a mild detergent diluted in
water is all that is needed to keep the panels and anodized
aluminum parts looking new.

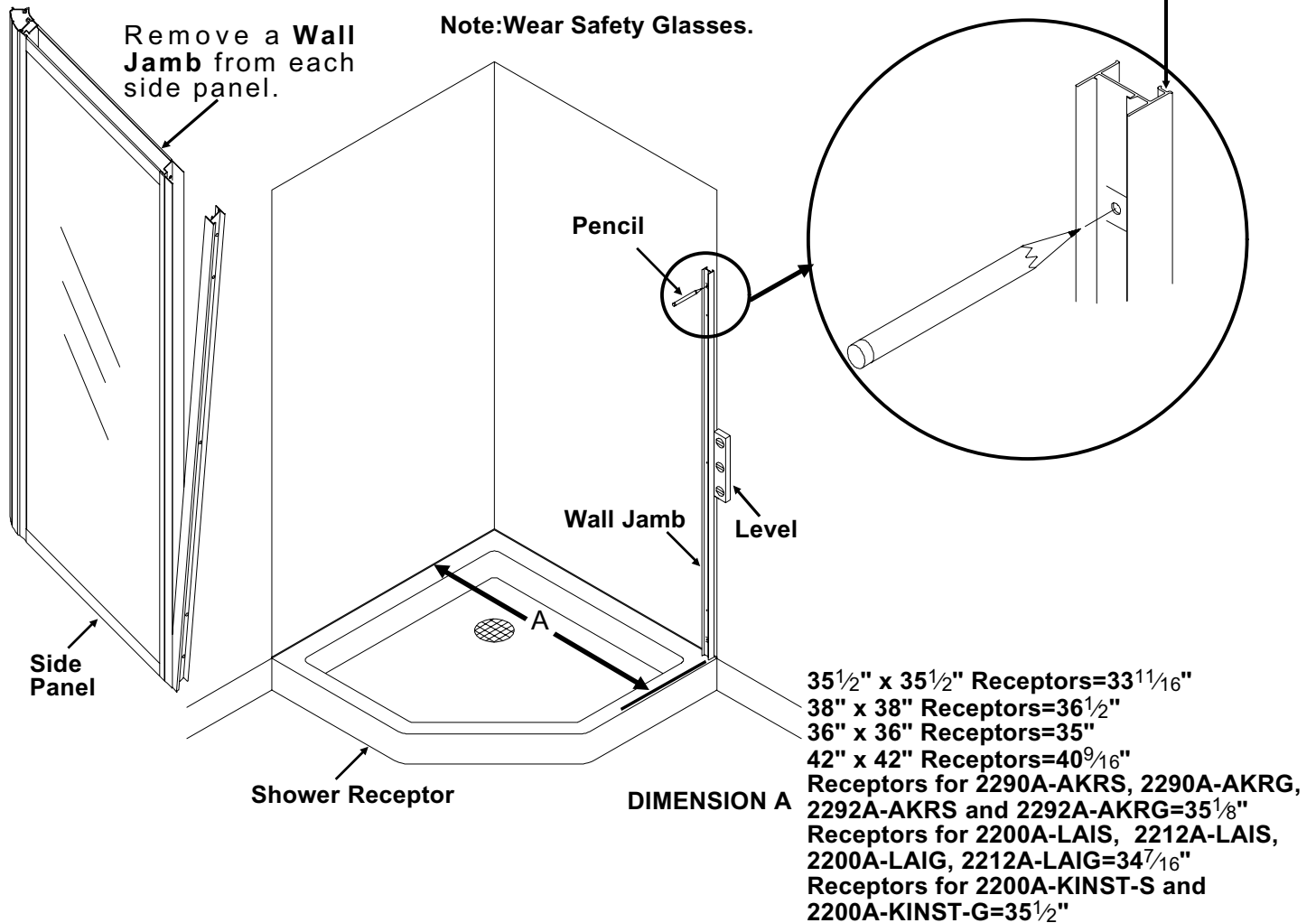
CAUTION: Tempered Glass can not be cut.

PART NAMES FOR INSTALLATION



1 MARKING AND DRILLING WALL JAMB MOUNTING HOLES

Be sure caulking groove is toward outside of shower



35½" x 35½" Receptors—Measure and mark on the receptor ledge near the wall 33¹¹/₁₆" out from the back wall.

38" x 38" Receptors—Measure and mark on the receptor ledge near the wall 36½" out from the back wall.

36" x 36" Receptors—Measure and mark on the receptor ledge near the wall 35" out from the back wall.

42" x 42" Receptors—Measure and mark on the receptor ledge near the wall 40⁹/₁₆" out from the back wall.

Receptors for 2290A-AKRS, 2290A-AKRG, 2292A-AKRS and 2292A-AKRG—Measure and mark on the receptor ledge near the wall 35¹/₈" out from the back wall.

Receptors for 2200A-LAIS, 2212A-LAIS, 2200A-LAIG, 2212A-LAIG, 2200A-KINST-S and 2200A-KINSTG—Measure and mark on the receptor ledge near the wall 34⁷/₁₆" out from the back wall.

Receptors for 2200A-KINST-S and 2200A-KINST-G—Measure and mark on the receptor ledge near the wall 35½" out from the back wall.

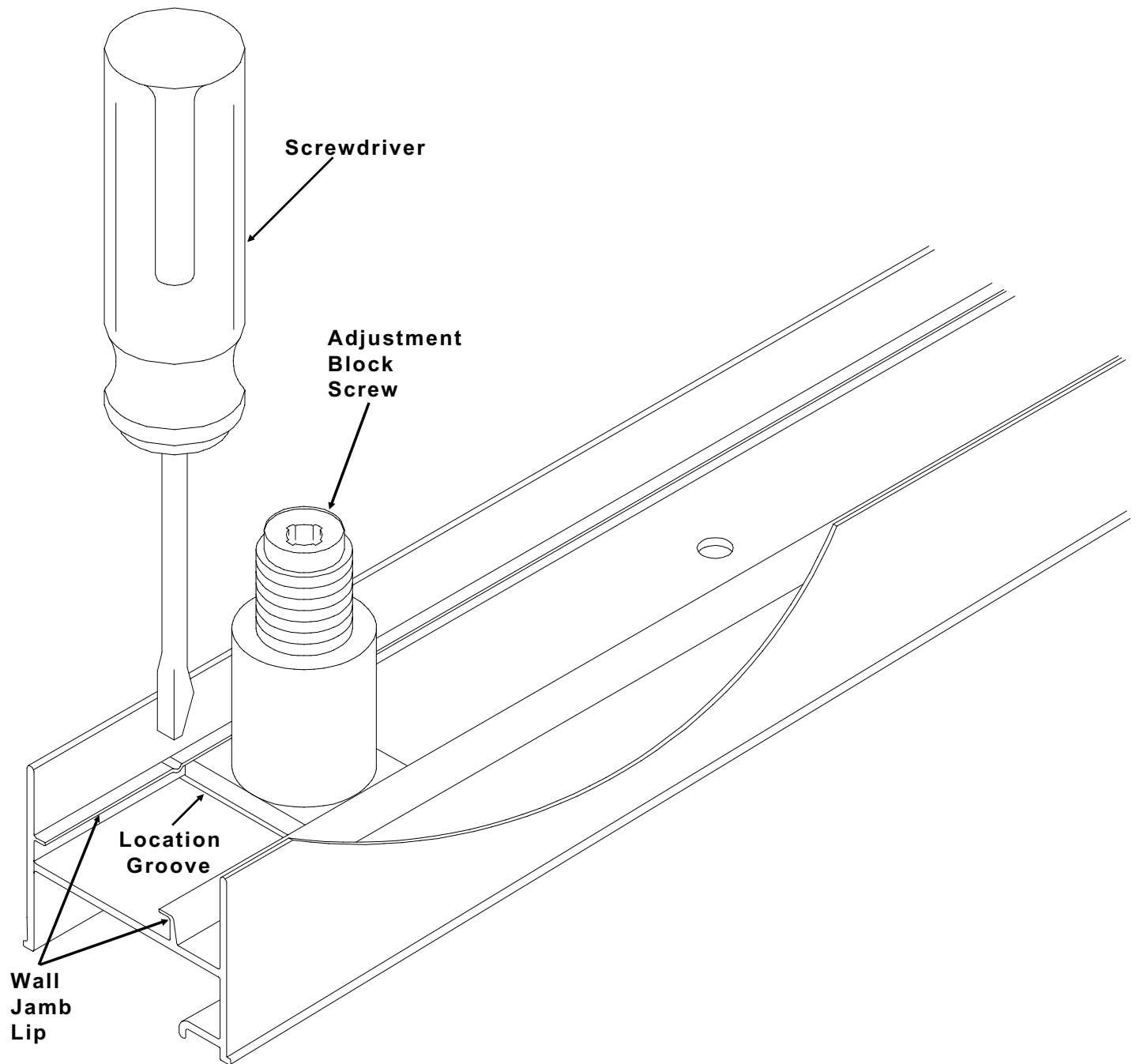
Place the caulking groove of the wall jamb toward the outside of the shower and align outside leg of wall jamb with the mark on the receptor ledge. Using a level, plumb the wall jamb and mark the five wall mounting holes. Repeat procedure for other wall jamb.

Lightly center punch the five hole locations for each wall jamb. On ceramic tile, use a center punch to nick the surface glaze. Tap the punch lightly with hammer so as not to crack the tile. Use a ³/₁₆" drill bit (a masonry bit for ceramic tile)*.

After drilling, thoroughly clean the receptor ledge and wall. Insert plastic anchors in all 10 holes.

***Start drilling slowly to prevent damage.**

2 INSTALLING ADJUSTMENT BLOCKS

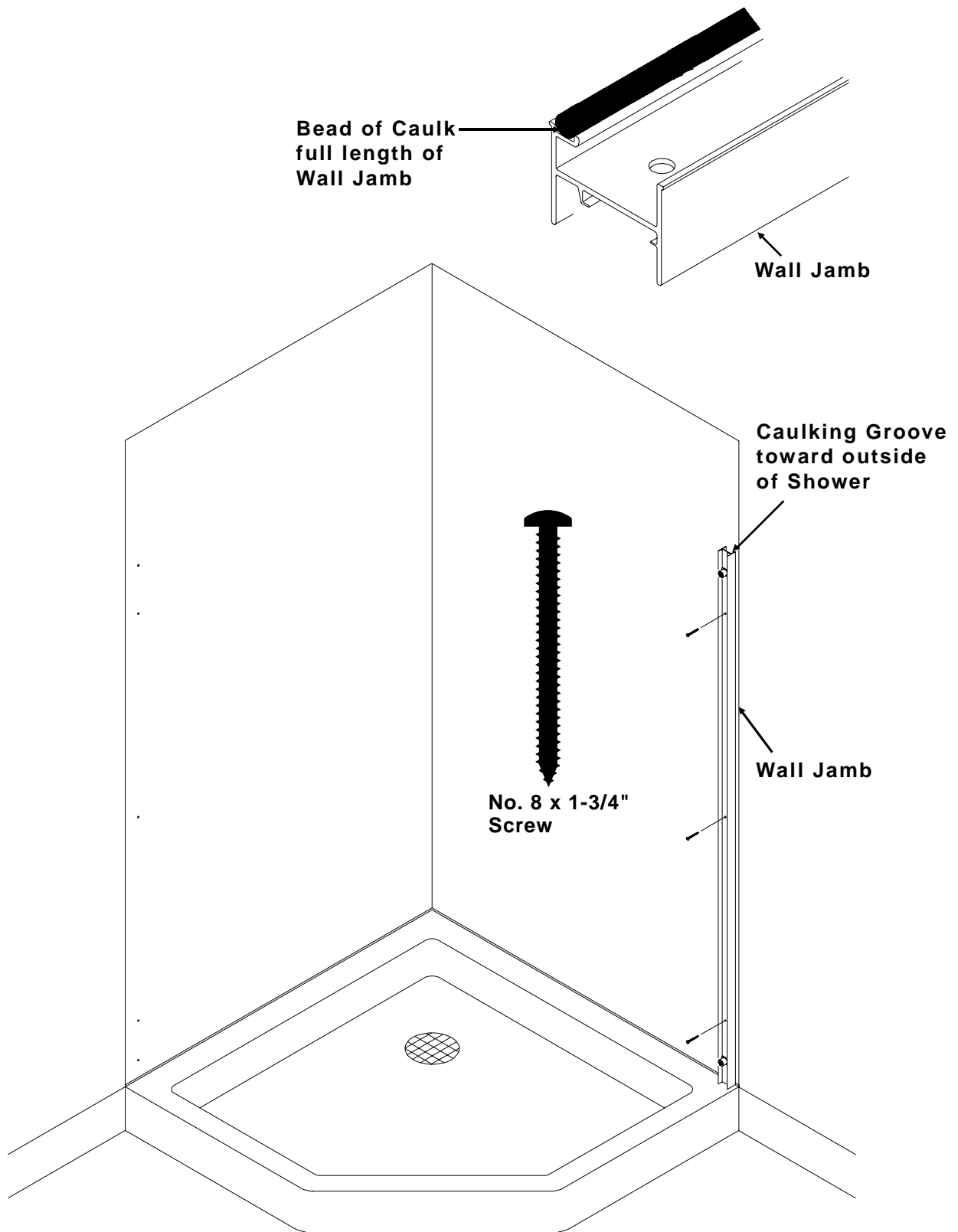


Lay wall jamb on a flat surface.

Slide an adjustment block into each end of the channel of the wall jamb as shown. Position each block over the holes located between 2 location grooves. To secure block, hold in place and crimp wall jamb channel lip on both sides of the block (4 places). Press down firmly with screwdriver blade to crimp wall jamb lip as shown. Tap screwdriver with hammer if necessary. Repeat procedure for other wall jamb.

NOTE: The adjustment blocks will be used in future installation steps to; (A) adjust the side panels so that they will rest firmly on the receptor ledge, (Step 4), (B) make final adjustments to the unit to align the door panel in the framework opening and/or align the bottom edge of the door with the bottom bridge member gasket to prevent scrubbing, (Step 11).

3 CAULKING AND INSTALLING WALL JAMBS

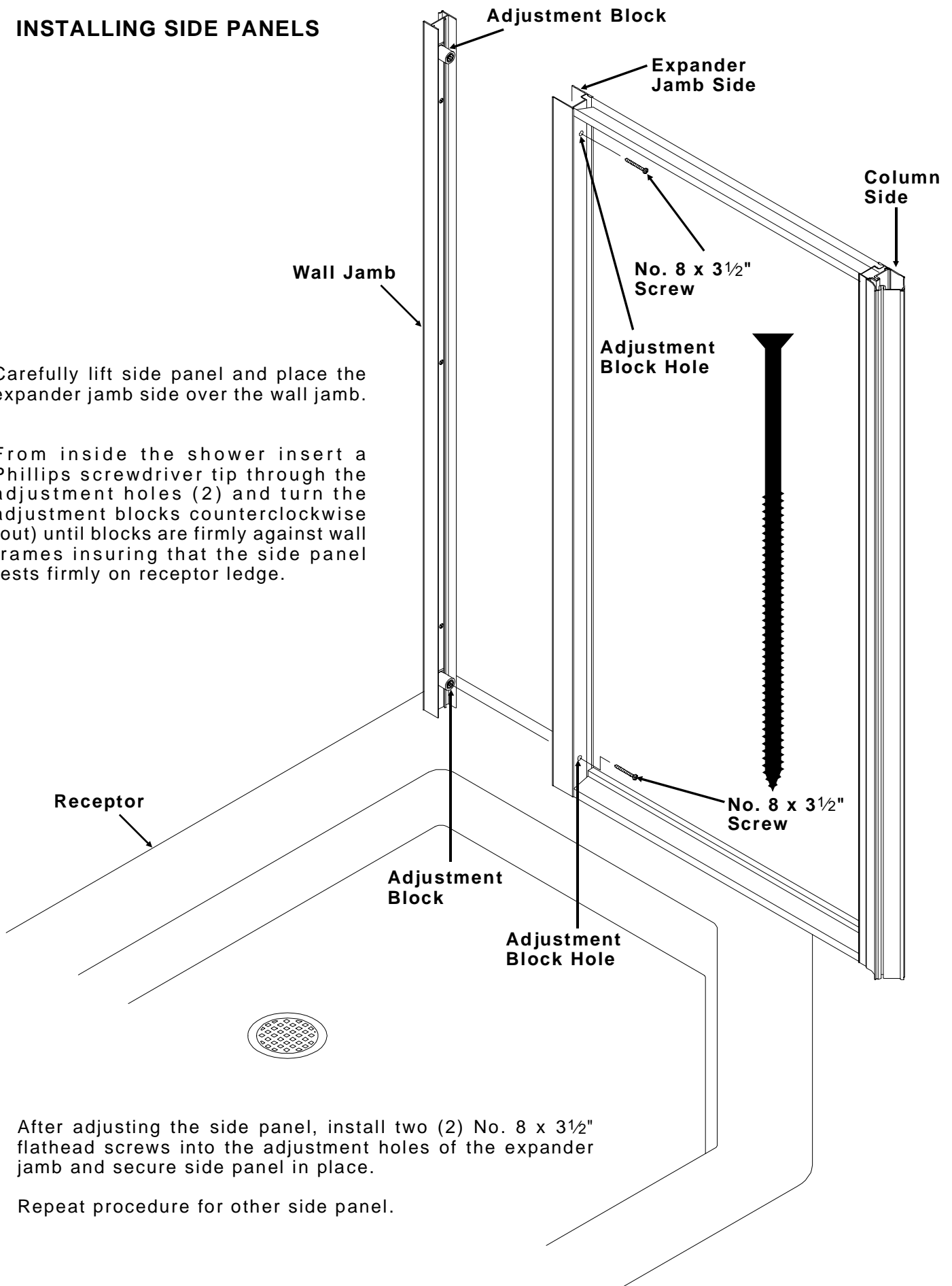


Apply a bead of caulk to the full length of the caulking groove on the back side of the wall jamb, slightly over filling the groove with caulk as shown. Position the wall jamb with the caulking groove toward the outside of the shower and align the holes in the wall jamb with the holes in the wall. Secure the wall jamb with 3 No. 8 x 1-3/4" panhead screws. Repeat procedure for the other wall jamb.

4 INSTALLING SIDE PANELS

Carefully lift side panel and place the expander jamb side over the wall jamb.

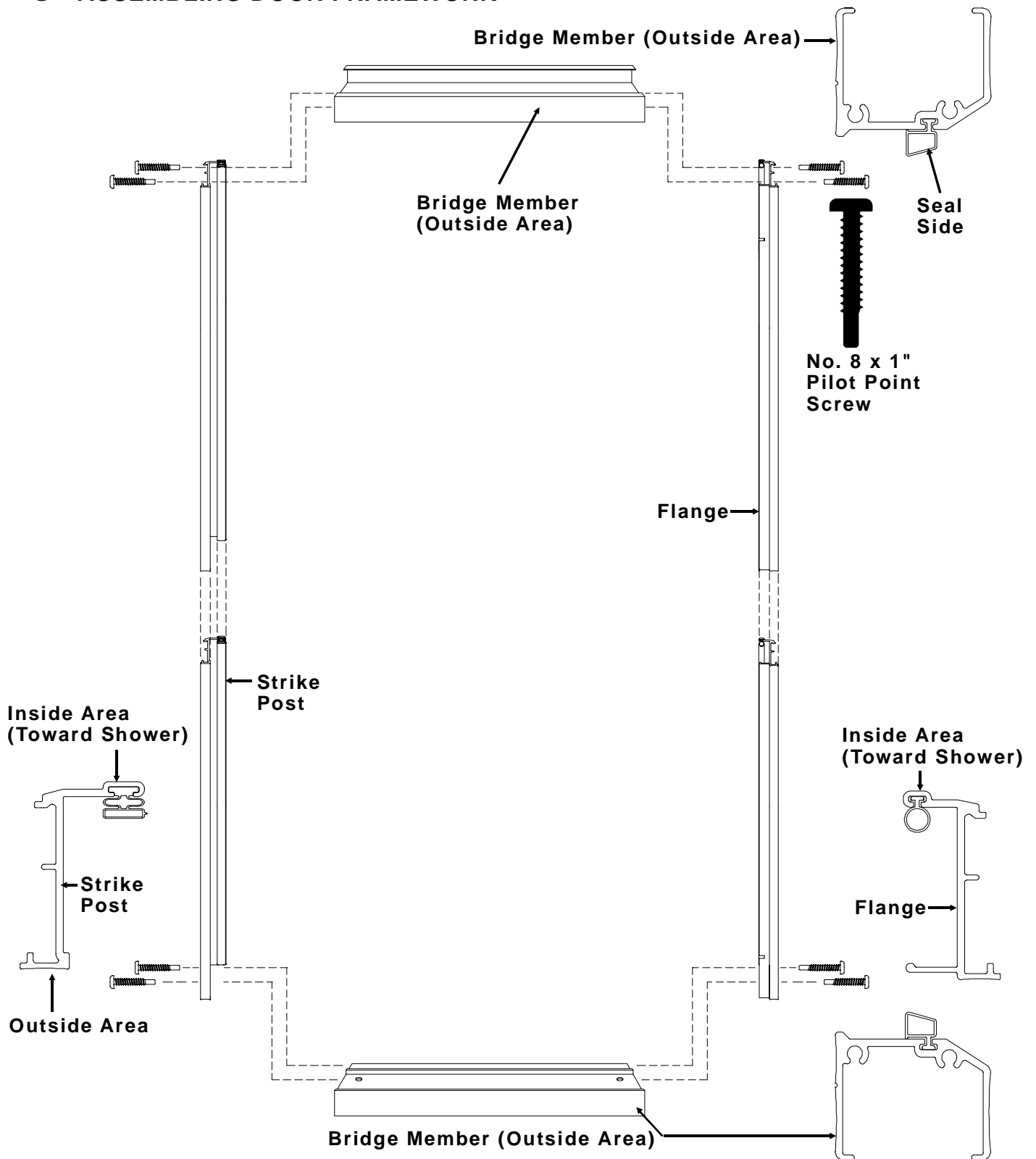
From inside the shower insert a Phillips screwdriver tip through the adjustment holes (2) and turn the adjustment blocks counterclockwise (out) until blocks are firmly against wall frames insuring that the side panel rests firmly on receptor ledge.



After adjusting the side panel, install two (2) No. 8 x 3 1/2" flathead screws into the adjustment holes of the expander jamb and secure side panel in place.

Repeat procedure for other side panel.

5 ASSEMBLING DOOR FRAMEWORK



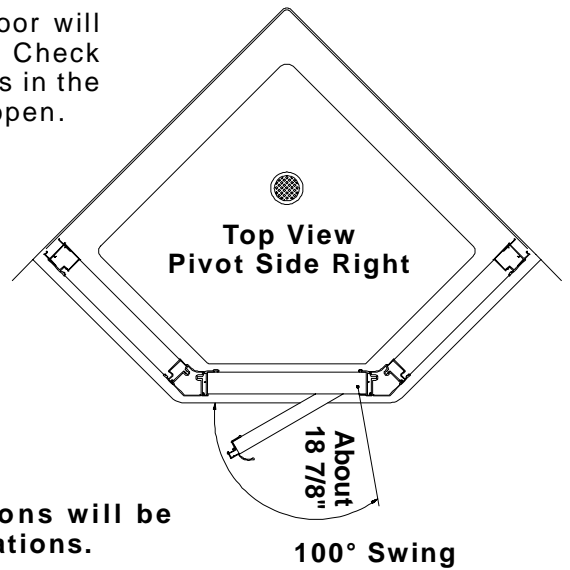
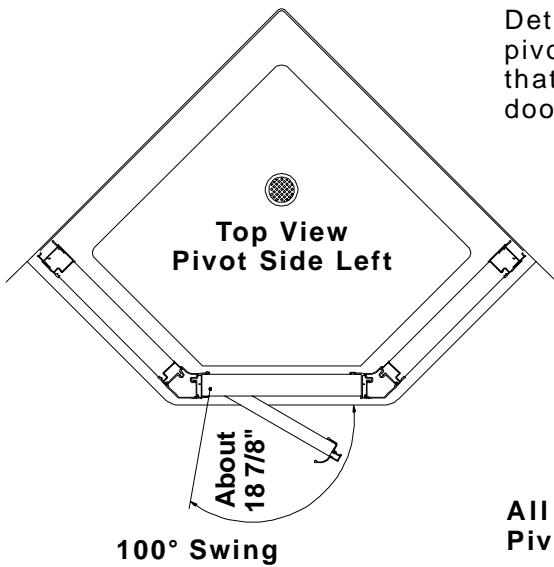
NOTE: If the seal is deformed from packaging, immerse in warm water until shape returns.

Cut seal $\frac{1}{4}$ " longer than bridge member.

Place framework down in an open area with inside area of framework down and the seal side of the bridge members facing each other. Attach the flange and strike post to bridge members with eight (8) each No. 8 x 1" pilot point screws.

6 DETERMINING DIRECTION OF SWING

Determine whether the door will pivot on the right or left. Check that there are no obstacles in the door's path as it swings open.



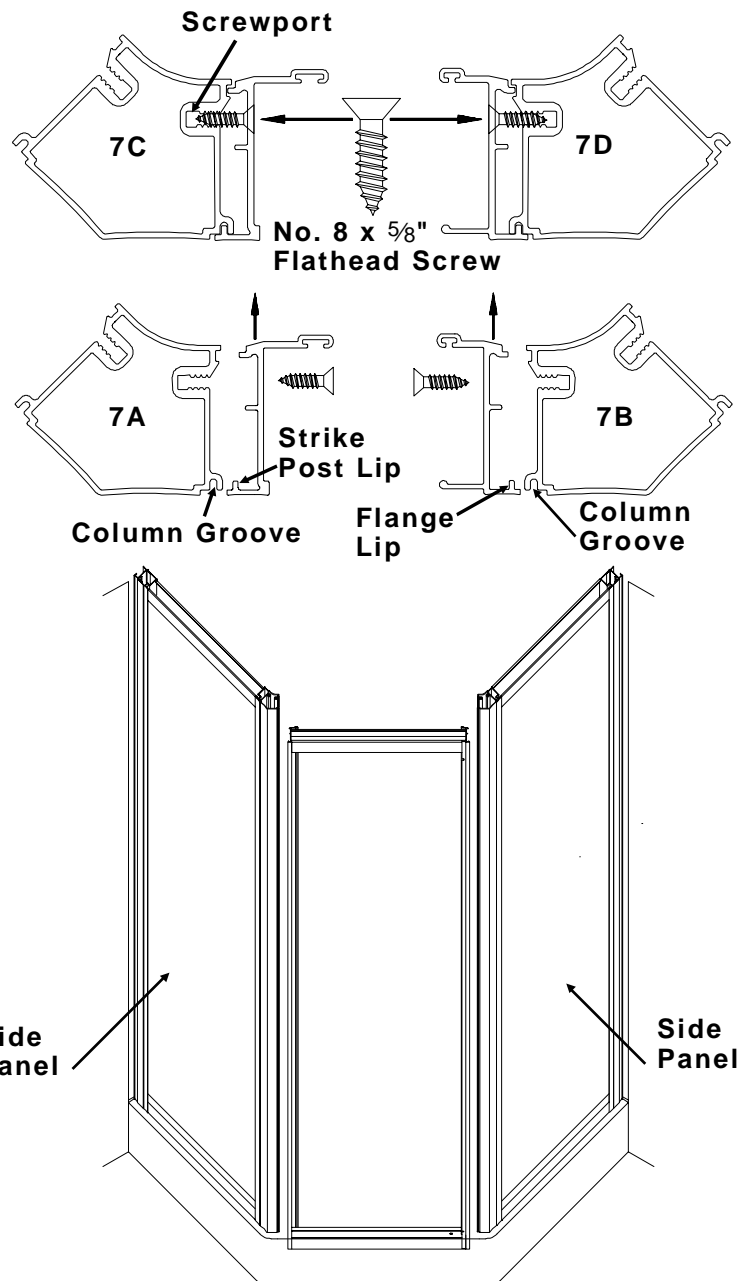
All following illustrations will be Pivot Side Right installations.

7 INSTALLING DOOR FRAMEWORK

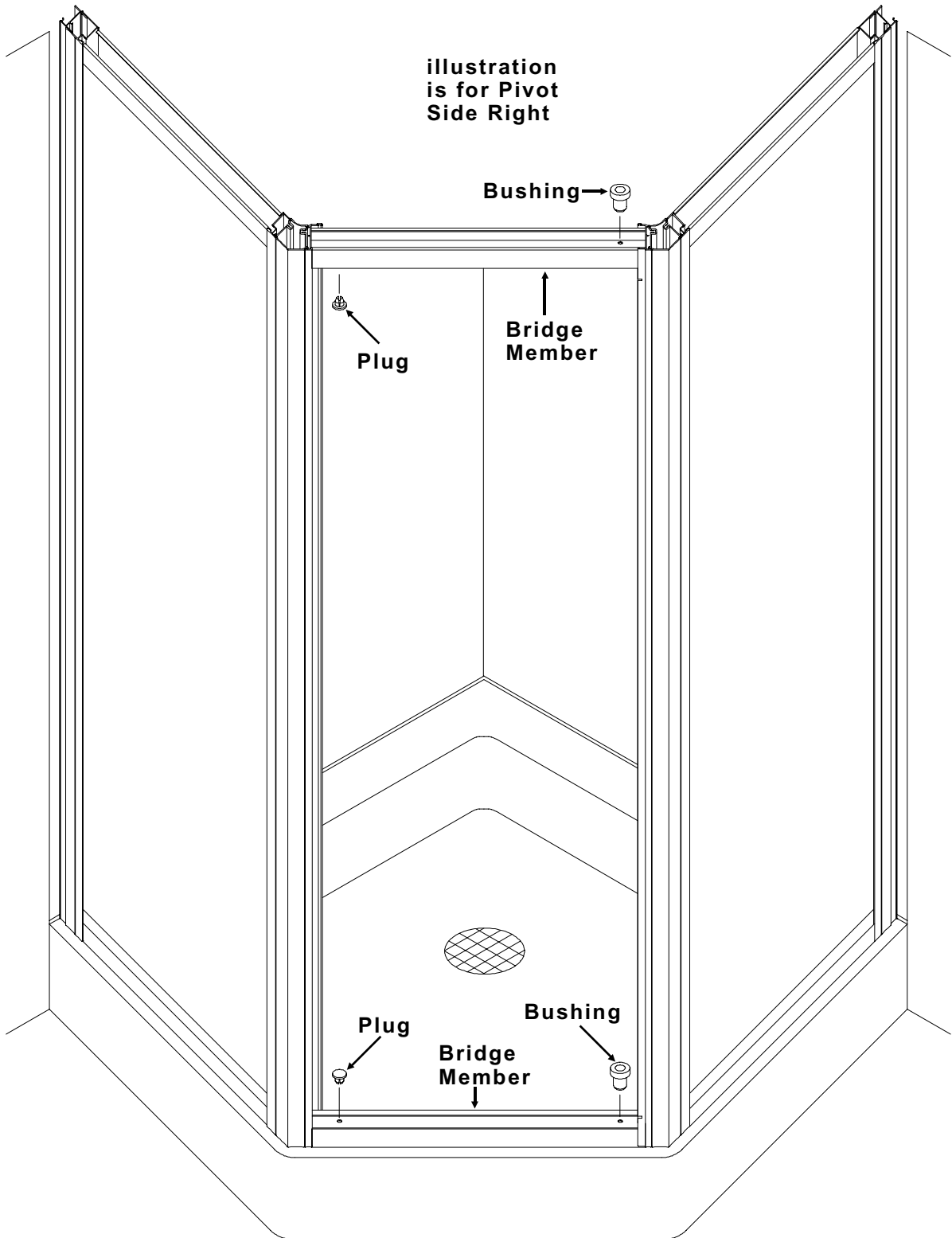
Place the door framework between the side panels and align the flange lip and strike post lip with the column grooves as shown in 7A and 7B.

Push lips of flange and strike post all the way into column grooves as shown in 7C and 7D.

Secure door framework to side panels by attaching 8 each No. 8 x $\frac{5}{8}$ " flathead screws into screw ports of column.



8 INSTALLING BUSHINGS AND PLUGS

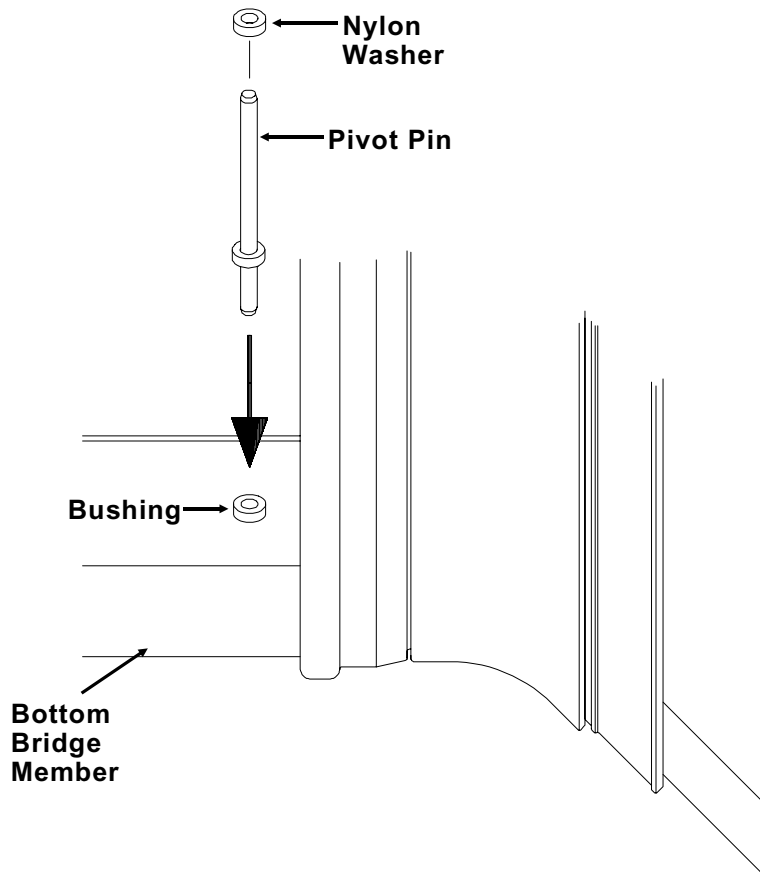


From step 6 you have determined which side the door is to pivot.

For a **pivot side right**, insert a bushing into the right side hole of the top and bottom bridge member. For a **pivot side left**, insert a bushing into the left hole of the top and bottom bridge members.

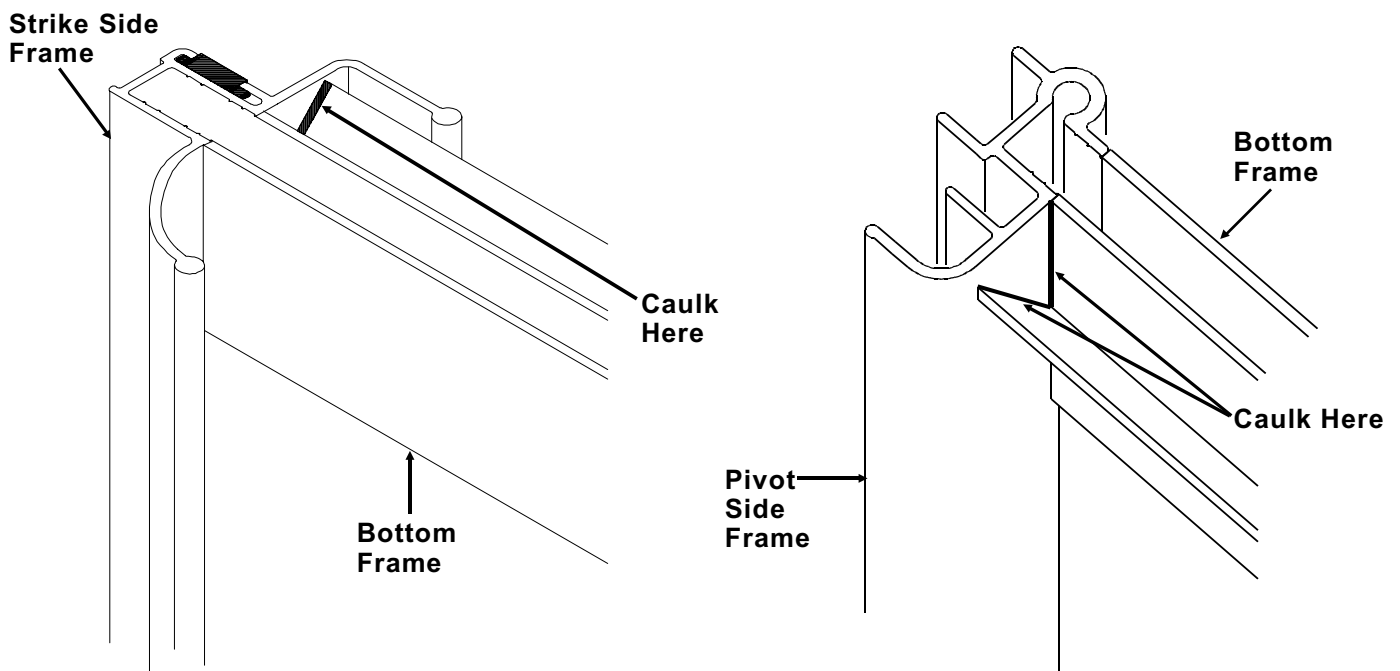
Insert a plug into the opposite hole of the top and bottom bridge members.

9 INSTALLING PIVOT PIN



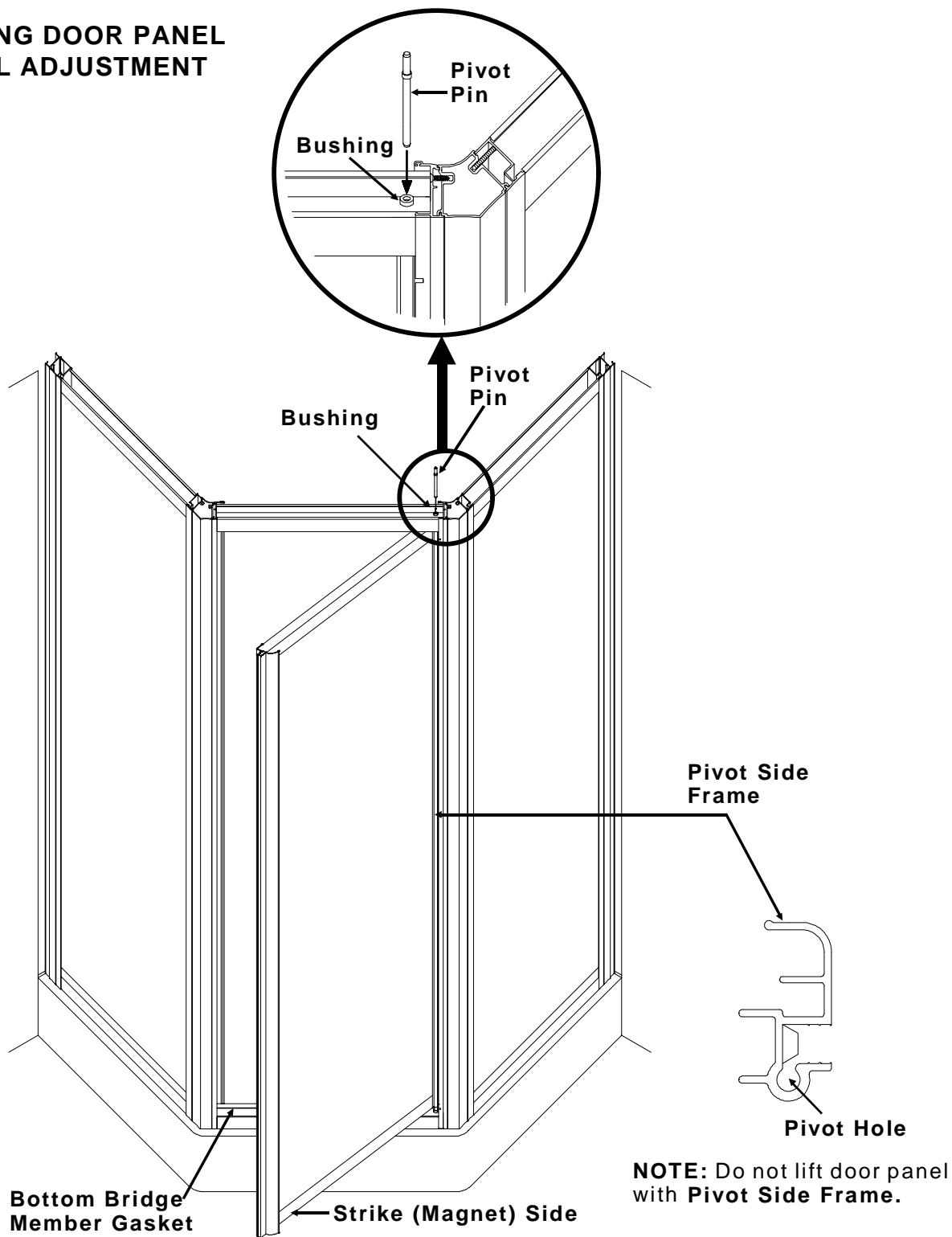
Fit nylon washer over long end of pivot pin and insert the short end of pivot pin into bushing in the bottom bridge member.

10 CAULKING BOTTOM OF DOOR PANEL



See step 11 to determine bottom of door and caulk as shown.

11 INSTALLING DOOR PANEL AND FINAL ADJUSTMENT



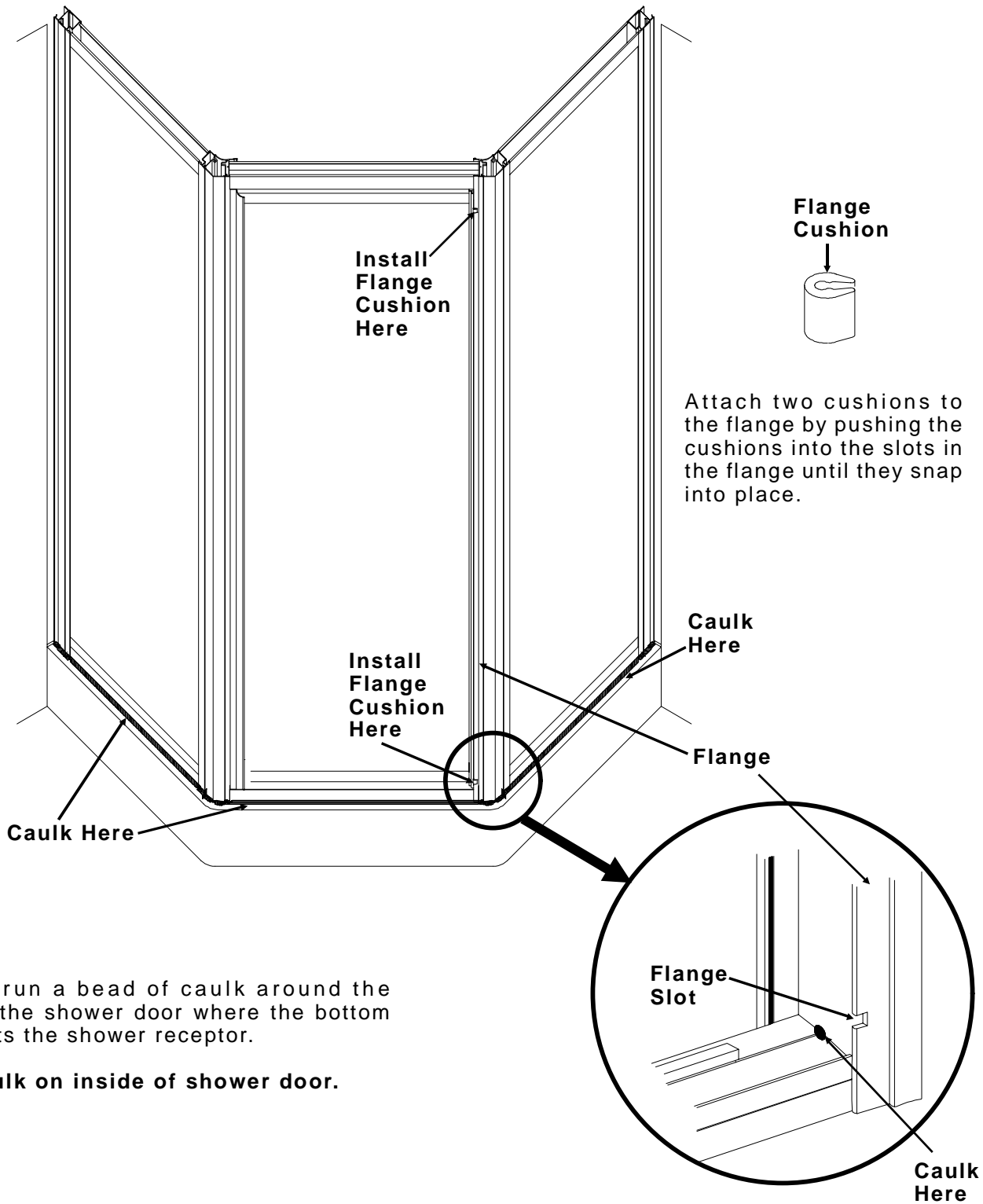
Lift door panel and insert pivot hole of door side frame over the bottom pivot pin. Align pivot hole of door side frame with top bushing and insert the long end of pivot pin through bushing into pivot hole of door side frame.

FINAL ADJUSTMENT: If the door panel does not appear to be square in the framework opening and/or the bottom edge of door panel scrubs on the bottom bridge member gasket, from inside the shower remove the four (4) 3½" wall mounting screws. (Do not remove the door or framework as adjustments can be made with door and framework in place).

Make adjustment to the framework by inserting a phillips screwdriver through the holes in side panel expander jamb and turning the adjustment blocks in or out as required to align unit.

12 After adjustments are complete reinstall the four (4) 3½" wall mounting screws.

12 INSTALLING CUSHION AND FINAL CAULKING



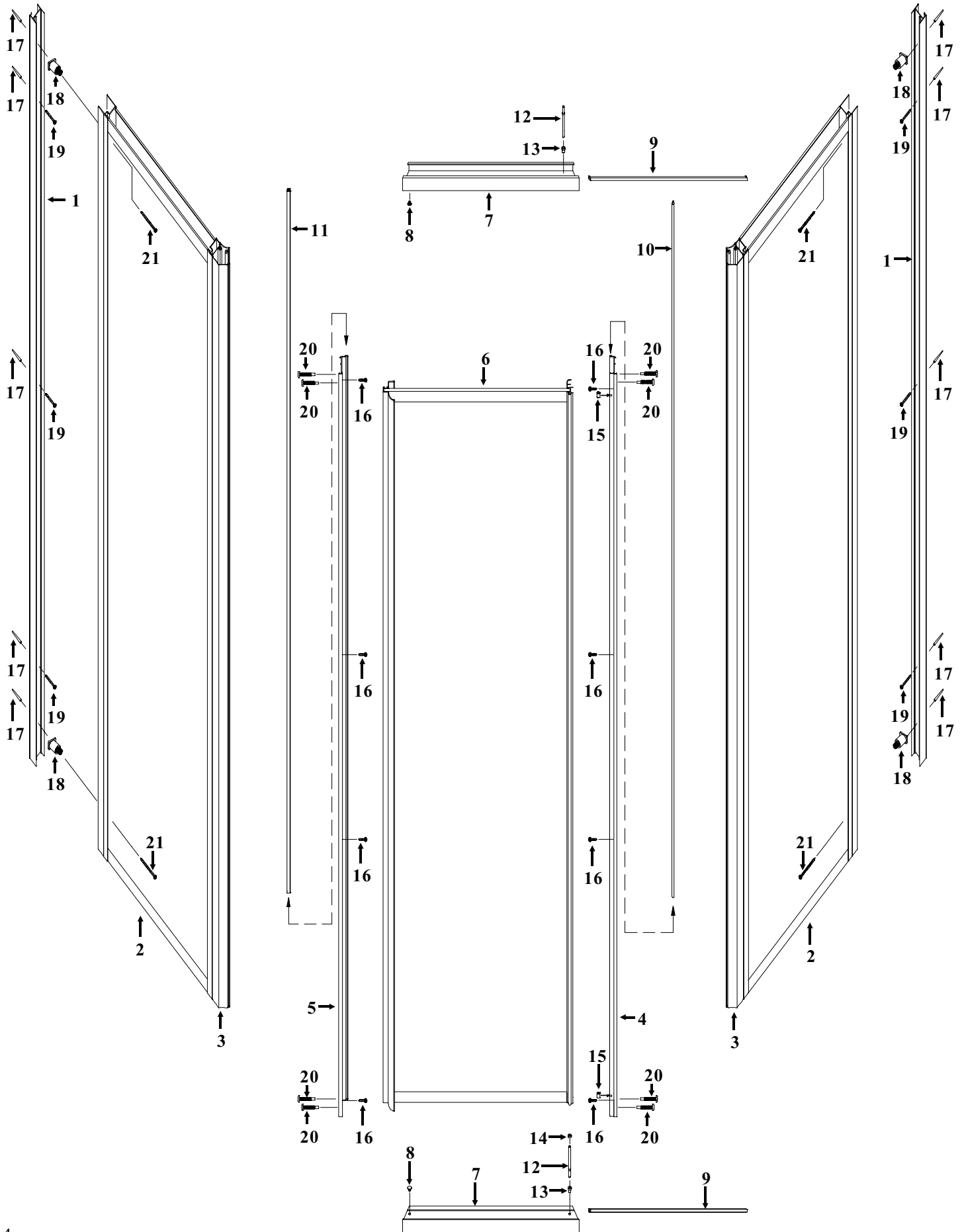
Carefully run a bead of caulk around the outside of the shower door where the bottom frame meets the shower receptor.

Do not caulk on inside of shower door.

NOTE: Allow caulk to cure 24 hours before use.

Pull gasket back and caulk at each end of **bottom** bridge member as shown.

PARTS LIST



PARTS LIST

When ordering parts, specify model number, part number, quantity and color.

Ref. Key	Description	Qty.	Part Nos. For Models						
			803-1395-0000 855-0105-0000	803-1403-0000 855-0121-0000	803-1411-0000	803-1643-0000	855-6128-0000	803-9505-0000	
1	Wall Jamb	2	681511	681501	681511	681511	681501	681501	681508
2	Side Panel	1	684450 684491	684449 684490	684460	684456	684420	684471	
3	Column <i>(Factory Installed)</i>	2	682011	682001	682011	682011	682001	682001	682008
4	Flange	1	684010	684001	684010	684010	684001	684007	
5	Strike Post	1	684110	684101	684110	684110	684101	684107	
6	Door Panel	1	684550 684579	684549 684578	684548	684547	684517	684562	
7	Bridge Member (Top/Bottom)	2	919911	919901	919911	919911	919901	919907	
8	Plug	2	731500	731500	731500	731500	731500	731500	731500
9	Square Seal (Bridge Member) <i>(Factory Installed)</i>	2	682701	682701	682701	682706	682701	682701	682701
10	Hollow Seal (Flange) <i>(Factory Installed)</i>	1	521311	521311	521311	521311	521311	521311	521311
11	Flexible Magnet <i>(Factory Installed)</i>	1	681200	681200	681200	681200	681200	681200	681200
12	Pivot Pin	2	683100	683100	683100	683100	683100	683100	683100
13	Bushing	2	682900	682900	682900	682900	682900	682900	682900
14	Washer	1	682800	682800	682800	682800	682800	682800	682800
15	Flange Bumper	2	620700	620700	620700	620700	620700	620700	620700
16	No. 8 x 5/8" Screw	8	310128	310127	310128	310128	310127	310127	310127
17	Plastic Anchor	10	162217	162217	162217	162217	162217	162217	162217
18	Adjustment Block	4	558400	558400	558400	558400	558400	558400	558400
19	No. 8 x 1/4" Screw	6	456321	456321	456321	456321	456321	456321	456321
20	No. 8 x 1" Screw	8	292105	292105	292105	292105	292105	292105	292105
21	No. 8 x 3/2" Screw	4	310130	310110	310130	310130	310110	310110	310110
—	No. 8 x 1/16" Screw <i>(Not Shown) (Factory Installed)</i>	8	310133	310132	310133	310133	310132	310132	310132