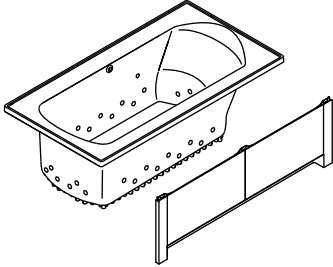


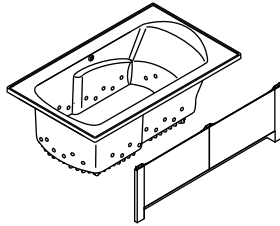
# Installation Guide

## Bath with Airjets

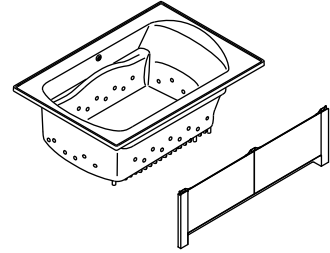
7726 Series



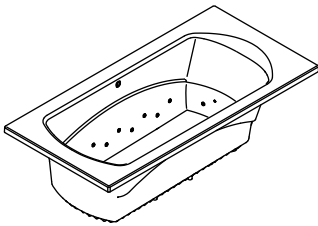
7727 Series



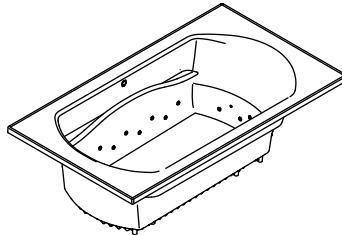
7728 Series



7730 Series



7731 Series



Français, page "Français-1"  
Español, página "Español-1"

**STERLING**  
A KOHLER COMPANY

1139487-2-H

# INSTALLATION INSTRUCTIONS



**WARNING:** When using electrical products, always follow basic precautions, including the following:



**DANGER: Risk of electric shock.** To reduce the risk of electrical shock, connect the pump or blower only to a properly installed Ground-Fault Circuit-Interrupter (GFCI). Do not remove the plug grounding pin. Do not use a grounding adapter.



**WARNING: Risk of injury or property damage.** Please read all instructions thoroughly before beginning the installation, including the following requirements.



**WARNING: Risk of electric shock.** A qualified electrician should make all electrical connections.



**WARNING: Risk of electric shock.** Disconnect power before servicing.

Building materials and wiring should be routed away from the pump or blower body and other heat-producing components of the unit.

Grounding is required. The unit should be installed by a qualified service representative and grounded.

Install to permit access for servicing.

An equipment grounding terminal is provided in the field wiring compartment. To reduce the risk of electric shock, this terminal must be connected to the grounding means provided in the electric supply panel with a conductor equivalent in size to the circuit conductors supplying this equipment.

Install this unit in accordance with the Canadian Electrical Code, Part I.

**NOTE:** Follow all local plumbing, building, and electrical codes.

## Product Information

### Electrical Requirements

**NOTE:** If the supply cord is damaged, it must be replaced by the manufacturer, its service agent, or similarly qualified persons in order to avoid a hazard.

- The installation must include a Class A Ground-Fault Circuit-Interrupter (GFCI). The GFCI protects against line-to-ground shock hazard. Use a 120 V, 15 A, 60 Hz dedicated service for the bath with airjets.

### Product Notices



**WARNING: Unauthorized modification of the pump or blower may cause unsafe operation and poor performance of the product.** Do not relocate the pump or blower, or make other modifications to the system, as this could adversely affect the performance and safe operation of the product. Sterling shall not be liable under its warranty or otherwise for personal injury or damage caused by any such unauthorized modification.

### Factory-Assembled Features

- Factory installed components include: blower with power supply cord, air switch transmitter, and airjets.

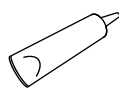
### Connections and Service Access

- Before installation, verify proper access to the final connections.

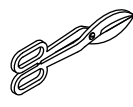
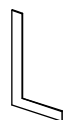
## Table of Contents

INSTALLATION INSTRUCTIONS	2
Tools and Materials	3
Before You Begin	3
Roughing-In	5
Prepare the Site	6
Rough-In the Plumbing – Alcove Installations	7
Rough-In the Plumbing – Drop-In Installations	8
Install a Mortar Cement Bed (recommended)	9
Prepare the Bath – Alcove Installations	10
Install the Optional Apron – Alcove Installations	11
Prepare the Bath – Drop-In Installations	12
Install the Electrical Outlet	13
Position the Bath	14
Secure the Bath – Alcove	15
Secure the Bath – Drop-In	16
Make Electrical Connections - Dedicated Circuit Models	17
Install the Drain	17
Complete the Finished Wall	18
Confirm Proper Operation	19

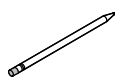
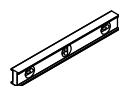
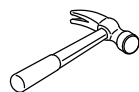
## Tools and Materials



Clear 100%  
Silicone Sealant



Tin Snips



### Plus:

- Conventional woodworking tools and materials
- Drop cloth
- Mortar cement (recommended)
- 1x4s, and 2x4s or 2x6s
- Hole saw
- Galvanized or plated non-tapered flathead screws
- Furring Strips

## Before You Begin



**CAUTION: Risk of personal injury.** Do not select a large rim-mount faucet or large deck-mount faucet for this product. These faucets may be inadvertently used as a means of support and are not appropriate or safe for this installation. Select a wall-mount faucet or alternative deck-mount faucet.



**CAUTION: Risk of property damage.** Use clear 100% silicone sealant to the required areas when instructed. Do not use latex-based sealant or other caulks. Do not add silicone sealant to any other areas. The inappropriate type and application of sealant may trap moisture and could result in mold, leakage, or mildew over the life of the product.

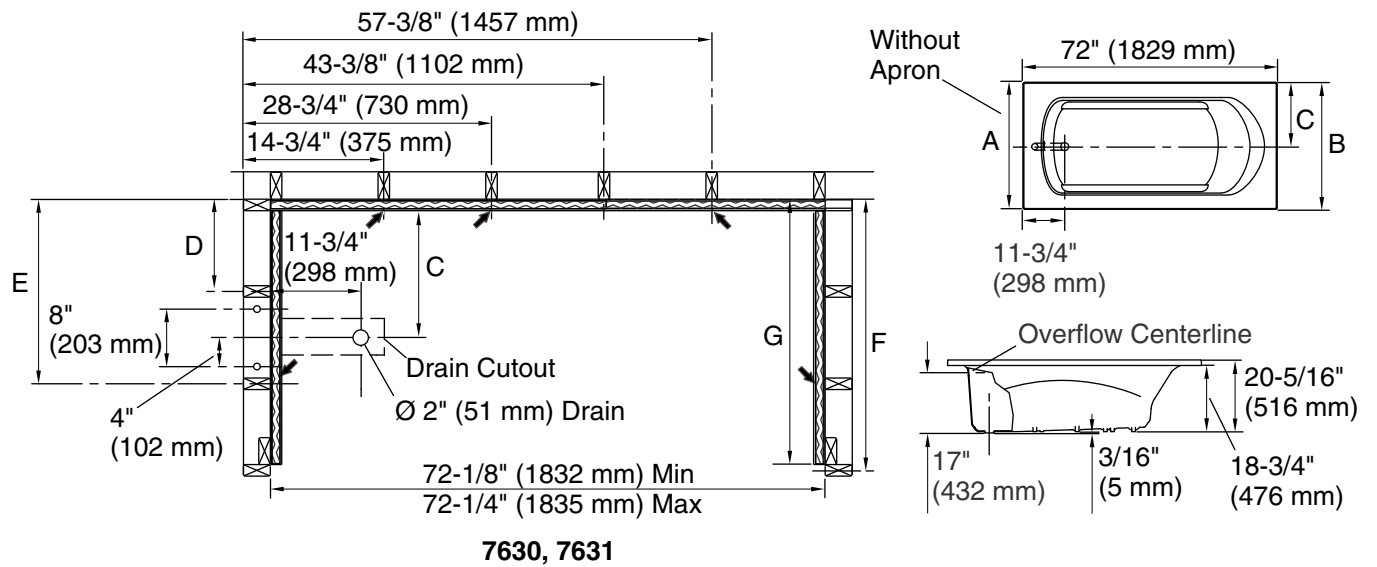
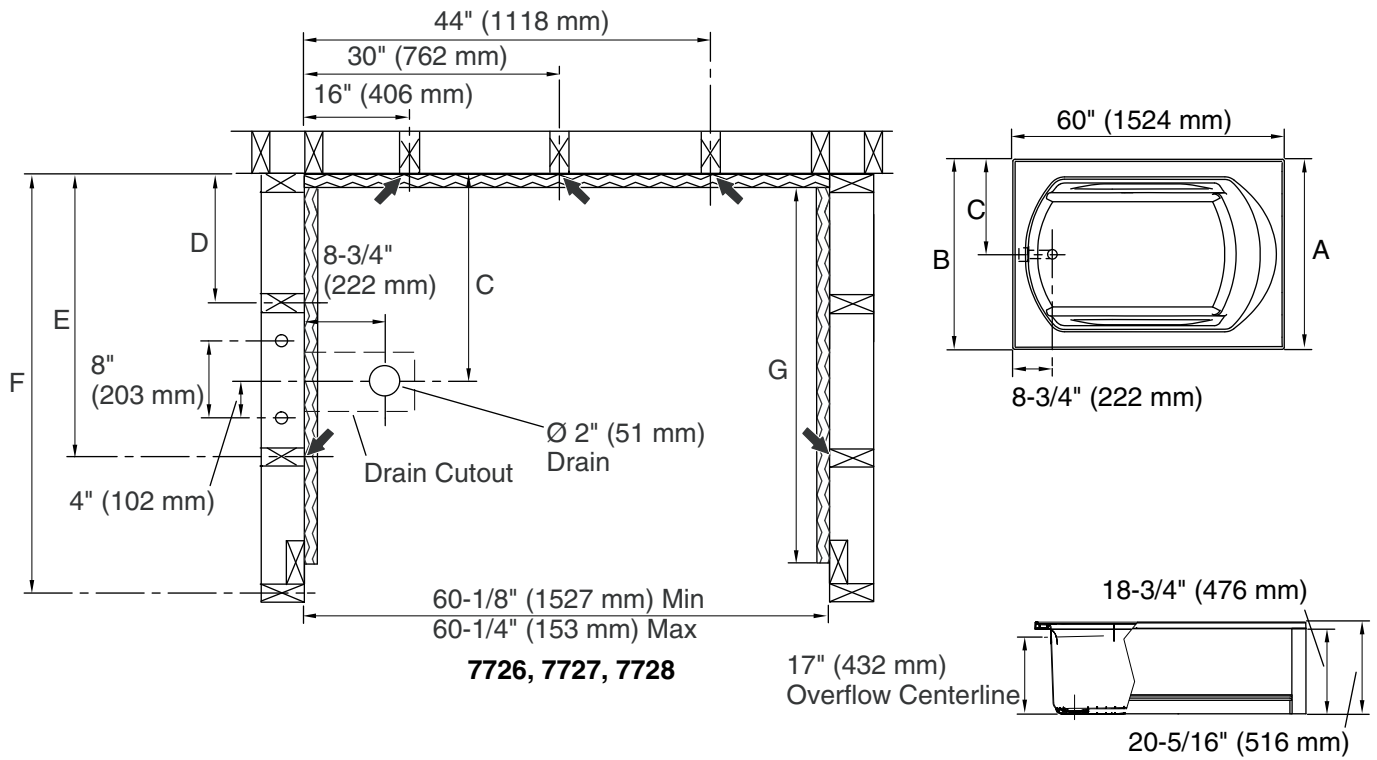
**NOTICE: Risk of product damage.** Do not lift the bath by the piping or blower. Do not use the piping or blower for structural support of the bath. Lift the bath by the rim at multiple points.

**NOTICE: Risk of product damage.** Do not install the bath over open floor joists. The basin area requires no additional support when the subfloor is level and square with the stud framing. Install the bath on an adequately supported, level subfloor. Shimming is required if the subfloor is not level.

## Before You Begin (cont.)

**NOTICE: Risk of product damage.** Select non-tapered flathead screws that are galvanized or plated, consulting with local building codes for the required type of coating. The coating on the screws will eliminate the occurrence of rust marks on your product.

- Observe all applicable plumbing, electrical, and building codes.
- This drop-in bath is designed for recessed, island, or alcove installations with an apron.
- Accessories that require backing or support are not recommended for this installation.
- Do not remove the old bath before you unpack and inspect the new unit.
- For remodeling installations: (1) Measure the existing framework before removing the existing bath to make sure that the new bath will fit in the existing framework. (2) Make sure that the drain outlet and drain line is in the correct location. (3) Do not remove the existing bath until the new bath is unpacked inspected for shortages or damage. Report any shortages or damage immediately.
- Confirm adequate mounting and connection space for the water supply and drain installation.
- Keep the liner (provided) in place until construction is complete.
- If you encounter any installation or performance problems, please do not hesitate to contact Sterling at 1-888-STERLING in the USA or 001-877-680-1310 in Mexico.
- Sterling reserves the right to make revisions in the design of products without notice, as specified in the Price Book.



- Ledger Strip Locations
- Recommended Support Clip Location (5 Total)

### Roughing-In

	A	B	C	D	E	F	G
7726	32" (813 mm)	32-1/4" (819 mm)	16" (406 mm)	10" (254 mm)	22" (559 mm)	31-1/4" (794 mm)	30-1/4" (768 mm)

<b>Roughing-In (cont.)</b>							
7727	36" (914 mm)	36-1/4" (921 mm)	18" (457 mm)	12" (305 mm)	24" (610 mm)	35-1/4" (895 mm)	34-1/4" (870 mm)
7728	42" (1067 mm)	42-1/4" (1073 mm)	21" (533 mm)	15" (381 mm)	27" (686 mm)	41-1/4" (1048 mm)	40-1/4" (1022 mm)
7730	36" (914 mm)	N/A	18" (457 mm)	12" (305 mm)	24" (610 mm)	35-1/4" (895 mm)	34-1/4" (870 mm)
7731	42" (1067 mm)	N/A	21" (533 mm)	15" (381 mm)	27" (686 mm)	41-1/4" (1048 mm)	40-1/4" (1022 mm)

## 1. Prepare the Site

**NOTICE:** All dimensions shown in the "Roughing-In" section are nominal. The stud opening tolerance is +1/8" (3 mm)/-0. Carefully measure your fixture before determining enclosure size. Some shimming between the stud frame and the fixture may be required. If a firewall is required, rough-in dimensions will have to increase according to the thickness of the firewall material. Stud opening dimensions must be measured toward the exposed side of the wall material. Dimensions given in the rough-in information are crucial for proper installation. Construct the framing and plumbing accurately.

### Plumbing

- Install the drain line according to the drain manufacturer's instructions. Locate the drain line and trap using the dimensions given in the "Roughing-In" section.

### Subfloor Construction

**NOTICE:** The bath must be level and resting on its feet. Therefore, constructing a subfloor that is level and can support the load weight of the bath is crucial.

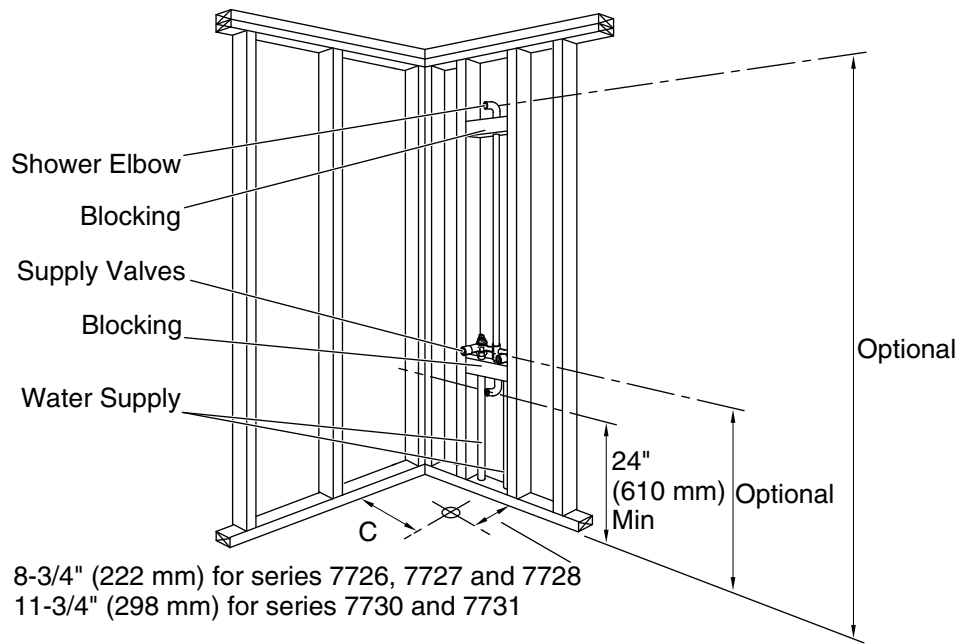
Floor support under bath model:	7726	Must provide for a minimum load of:	40 lbs/square foot (197 kg/square meter).
	7727		40 lbs/square foot (193 kg/square meter).
	7728		39 lbs/square foot (188 kg/square meter).
	7730		41 lbs/square foot (200 kg/square meter).
	7731		41 lbs/square foot (200 kg/square meter).

- Construct a level subfloor made of plywood. If a material other than plywood is used, friction may cause squeaking over time.
- Verify the subfloor is level. If the subfloor is not level, install a mortar cement bed (recommended) to level the subfloor. Refer to the "Install a Mortar Cement Bed (recommended)" section.

**NOTE:** If the subfloor is not level and a mortar cement bed will not be installed, you will be instructed in the "Prepare the Bath" section to place a felt pad on the subfloor and add shims underneath the bath to achieve level.

### Framing Considerations

- Plan the location of the bath to allow clearance for (1) drainage through the floor joists or slab and (2) convenient plumbing installation.
- Provide access to all plumbing connections to simplify future maintenance. Include access at the back of the plumbing wall whenever possible.
- If a shower door will be installed, refer to the shower door manufacturer's instructions for any special framing considerations such as double studding at the front corners of the framing.

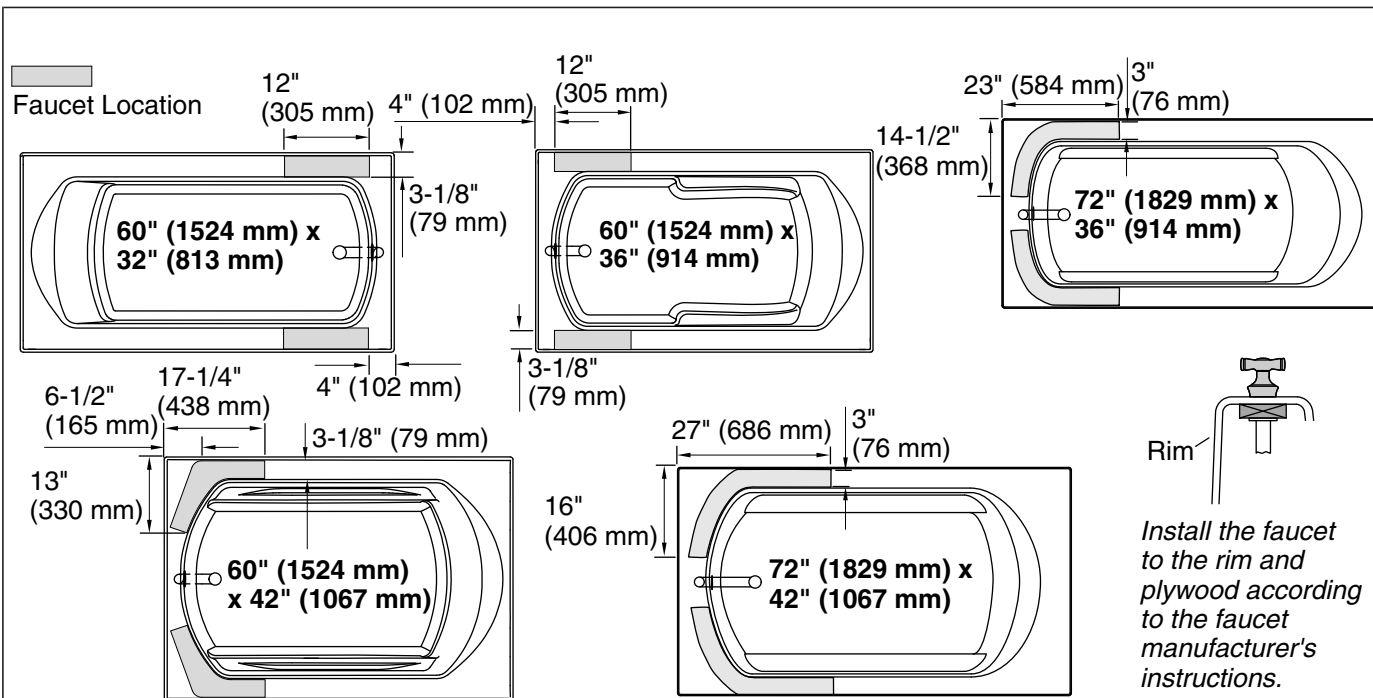


## 2. Rough-In the Plumbing – Alcove Installations

	C
7726	16" (406 mm)
7727	18" (457 mm)
7728	21" (533 mm)
7730	18" (457 mm)
7731	21" (533 mm)

**NOTE:** If plumbing will be installed on the unfinished stud wall, install the supplies **after** the bath is installed.

- Position the plumbing according to the roughing-in information. Cap the supplies and check for leaks.
- For above-the-floor drain installations:** Cut the hole in the floor for the drain line. **For through-the-floor drain installations:** Cut the hole in the floor for the drain assembly. The drain connection should be made directly under the overflow drain. Leave room to connect the piping.
- Install the water supplies according to the faucet manufacturer's instructions. Cap the supplies and check for leaks.
- Strap the water supply connections to the stud framing.
- Install the shower valving according to the manufacturer's instructions. Do not install the trim at this time.



### 3. Rough-In the Plumbing – Drop-In Installations



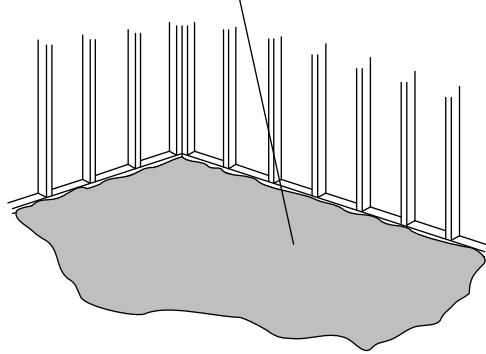
**CAUTION: Risk of personal injury.** Do not select a large rim-mount faucet or large deck-mount faucet for this product. These faucets may be inadvertently used as a means of support and are not appropriate or safe for this installation. Select a wall-mount faucet or alternative deck-mount faucet.

**NOTE:** Do not install the trim at this time.

- Before installing a rim- or deck-mount faucet, measure and cut a piece of 3/4" exterior grade plywood to act as a support under the bath rim. Cut a piece of plywood large enough to support the faucet components and extend beyond the area where the faucet will be installed.
- Install the water supply pipes at one of the specified faucet locations. Refer to the faucet manufacturer's instructions for proper installation.
- Strap the supply lines to the stud framing.
- Install the valves according to the faucet manufacturer's instructions.



Spread a 2" (51 mm) layer of mortar cement.



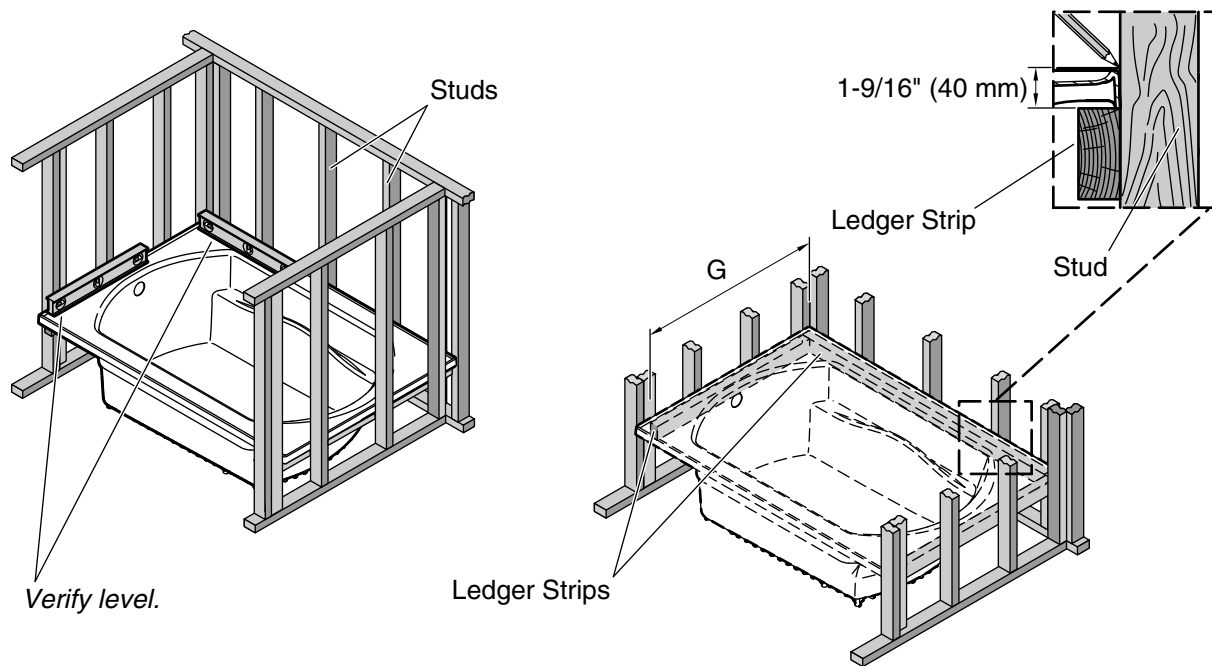
#### 4. Install a Mortar Cement Bed (recommended)

**NOTICE:** For best results, we recommend that you install a bed of mortar cement on the subfloor. This will not only provide solid support, but will also eliminate the potential for movement and noise when in use.

**NOTICE:** Use **sand mix mortar cement only**. Do not use plaster, gypsum cement, drywall compound, or mortar cement with pebbles/stones for this application. These are not suited for this application and/or do not provide adequate structural support.

**NOTE:** The bath supports must rest directly on the subfloor. Constructing a level subfloor is critical for proper installation.

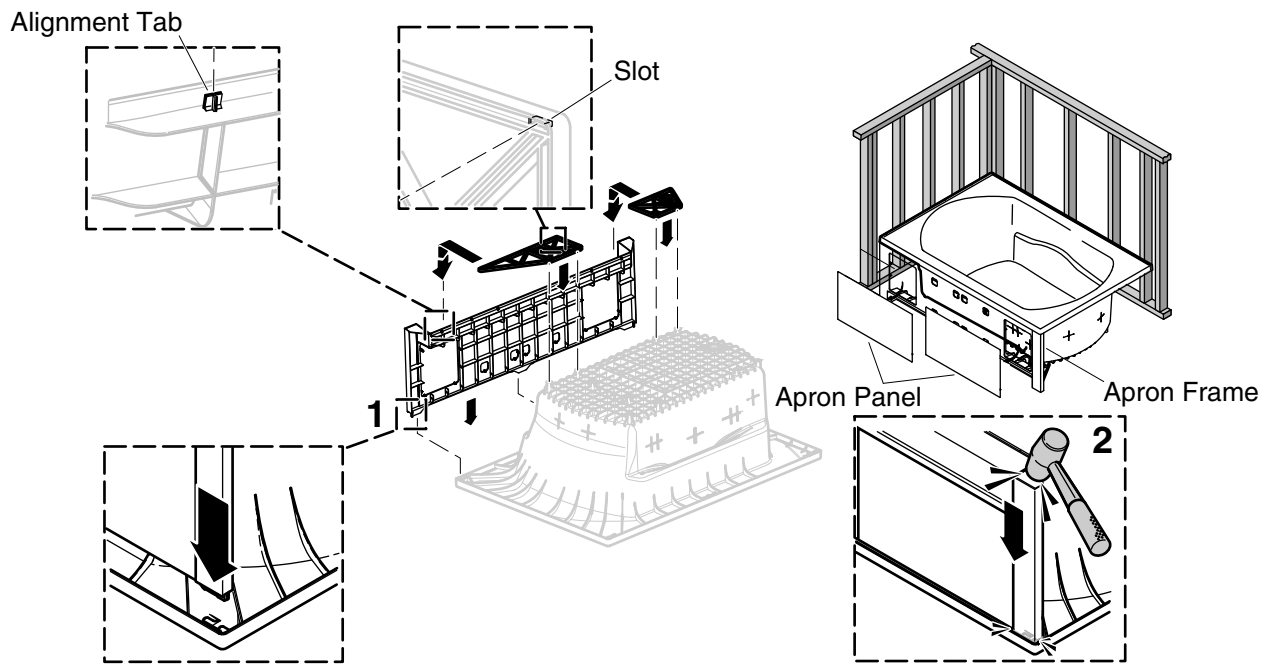
- Install the drain and overflow assembly to the bath according to the drain manufacturer's instructions.
- Spread a 2" (51 mm) layer of mortar cement on the subfloor, spreading it so that each area of the bath that will contact the subfloor has mortar cement. **Do not spread the mortar cement around the drain area or where the blower will be located.** Allow room for the mortar cement to expand from the weight of the bath.
- Immediately move the bath into position.
- Verify that the bath is level and resting on all supports.
- Clean the bath to reduce the risk of damaging the surface.



## 5. Prepare the Bath – Alcove Installations

Series	G
7726	30-1/4" (768 mm)
7727	34-1/4" (870 mm)
7728	40-1/4" (1022 mm)
7730	34-1/4" (870 mm)
7731	40-1/4" (1022 mm)

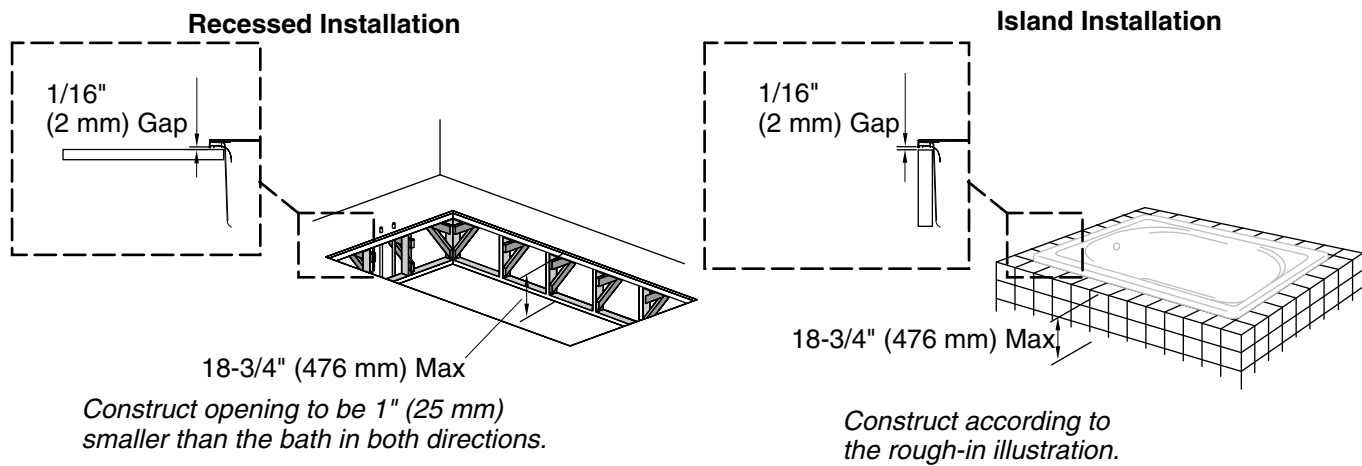
- If a mortar cement bed was not installed, align the drain hole in the felt pad with the drain hole in the subfloor. Secure the felt pad into place with fasteners (such as staples or nails).
- Install the drain and overflow assembly to the bath according to the drain manufacturer's instructions.
- Dry fit the bath.
- Verify that the bath is level. If the subfloor is not level, insert shims under the bath to adjust for level.
- Mark the height of the bath flange on each stud wall. Set the bath aside.
- Measure and mark 1-9/16" (40 mm) down from the first mark.
- Cut two ledger strips from 1x4 material to the length specified in dimension "G." Cut a third ledger strip to fit the remaining width of the stud pocket.
- Install the ledger strips.
- Dry fit the bath again to make sure the bath is not being supported by the rim. If needed, remove the ledger strips, slightly lower them, then reinstall.
- Remove the bath.



## 6. Install the Optional Apron – Alcove Installations

### Series 7726, 7727, and 7728 Only

- Place a protective barrier on the floor so the bath will not be scratched.
- Turn the bath over.
- Determine the correct side for the installation.
- Align the three alignment tabs on the apron frame with the slots on the bath rim (1).
- Press the alignment tabs into the slots on the bath rim. If necessary, gently tap the alignment tabs into place using a rubber mallet (2).
- Install the apron panels into the apron frame.



## 7. Prepare the Bath – Drop-In Installations

**NOTICE:** Do not allow the deck to support the bath by the rim. The bath must be supported by its feet.

### Recessed Installation

**NOTE:** A recessed installation requires a cutout in the floor with decking on all four sides. A framework and subfloor must be added below the deck. The deck positions the bath while the framework and subfloor supports the bath.

- Carefully lay out and cut the rough deck material, allowing the width and length of the opening to be 1" (25 mm) smaller than the bath. Refer to the applicable diagram in the "Roughing-In" section.
- Allow clearance to install the drain assembly and the water supply piping.
- Construct an 18" (457 mm) x 15" (381 mm) access panel at the blower end of the fixture.
- Construct a level subfloor no lower than 18-3/4" (476 mm) below the rough deck.
- Construct the 2x4 or 2x6 framework on top of the level subfloor. The finished deck should allow 1/16" (2 mm) clearance for sealant between the rough deck and the lower rim of the bath.

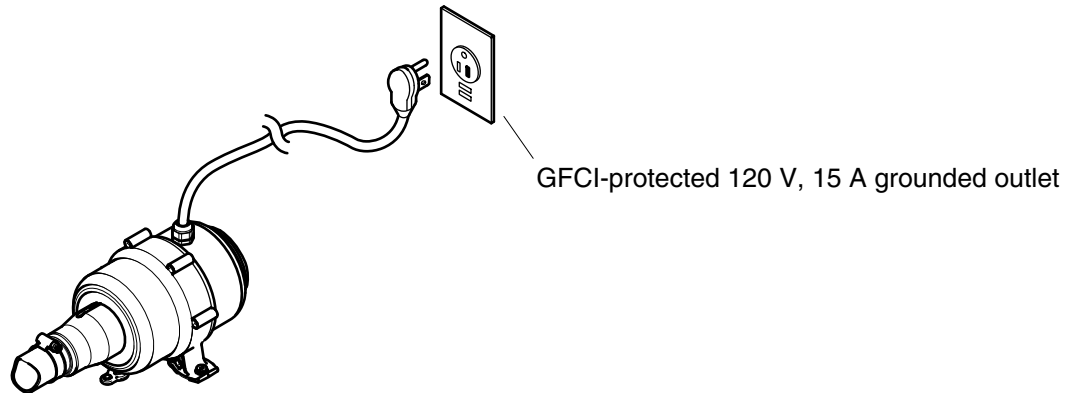
### Island Installation

**NOTE:** An island installation requires a built-up, four-sided surround typically made of brick or concrete. The surround positions the bath while the floor supports the bath.

- Carefully lay out the masonry work. Consider whether the finished tile will be flush with the bath or installed under the rim.
- Allow clearance to install the drain assembly and the water supply piping.
- Construct an 18" (457 mm) x 15" (381 mm) access panel at the blower end of the fixture.
- Construct a level subfloor no lower than 18-3/4" (476 mm) below the masonry island.
- Construct the island of brick or concrete.
- Add tile or other finishing material, leaving a 1/16" (2 mm) clearance for sealant between the island and the rim of the bath.

### All Drop-in Installations

- If a mortar cement bed was not installed, place a pad (not provided) with a cut drain hole on the subfloor, then secure the felt pad into place with fasteners (such as staples or nails).
- Verify that the bath is level. If the bath is not level, insert shims under the bath to adjust for level.



## 8. Install the Electrical Outlet

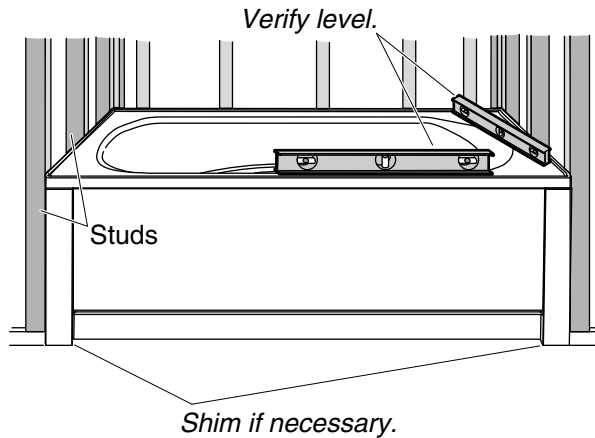


**CAUTION:** Risk of personal injury. Do not turn on the power until instructed to do so.

**NOTE:** The bath is equipped with a cord and plug. All blower and control wiring has been completed at the factory.

**NOTE:** Refer to the label near the blower. This label identifies the electrical rating and model number of the bath.

- Install a GFCI-protected, 120 V, 15 A grounded outlet behind the bath and within 24" (610 mm) of the location of the blower. No other load should be on this circuit.
- Install a bonding (grounding) conductor at the future location of the blower in accordance with any applicable local codes.



## 9. Position the Bath

### Alcove Installations

**CAUTION: Risk of product damage.** Do not lift or move the bath by the apron or apron braces. Verify that the apron braces are attached before installing the bath, then lift the bath by the rim at multiple points.

**NOTE:** 6' (1.8 m) bath models require construction of an apron for alcove installations.

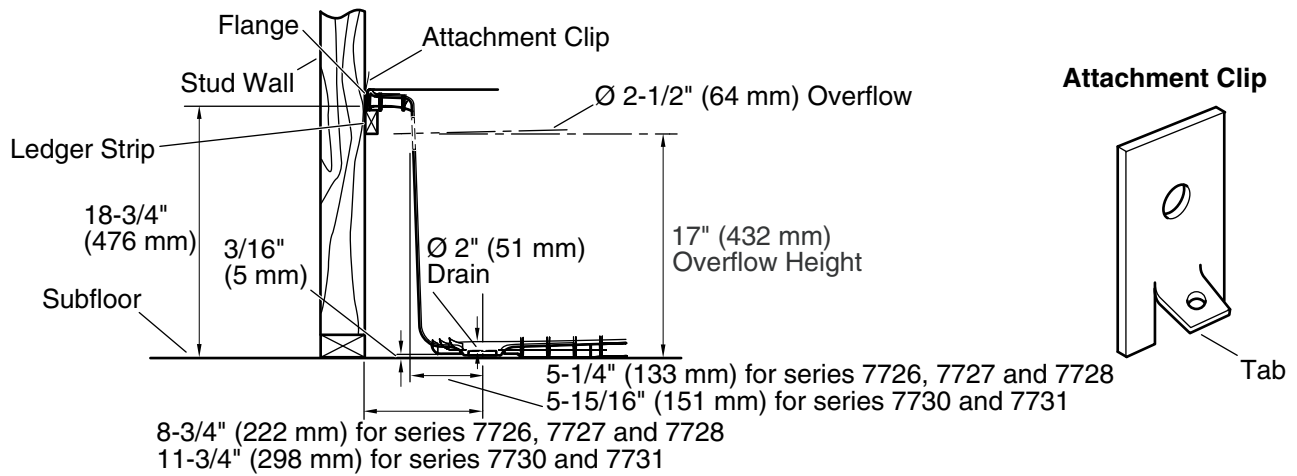
- Verify that the bath is level.
- With the apron braces attached, lift the bath into position. Position the bath so the outside edge is flush with the framing.

### Drop-In Installations (not shown)

- With the drain and overflow assembly attached to the bath, lift the bath in the recess or island.
- Verify that the bath is level and there is a 1/16" (2 mm) gap between the rough deck or island and bath rim.

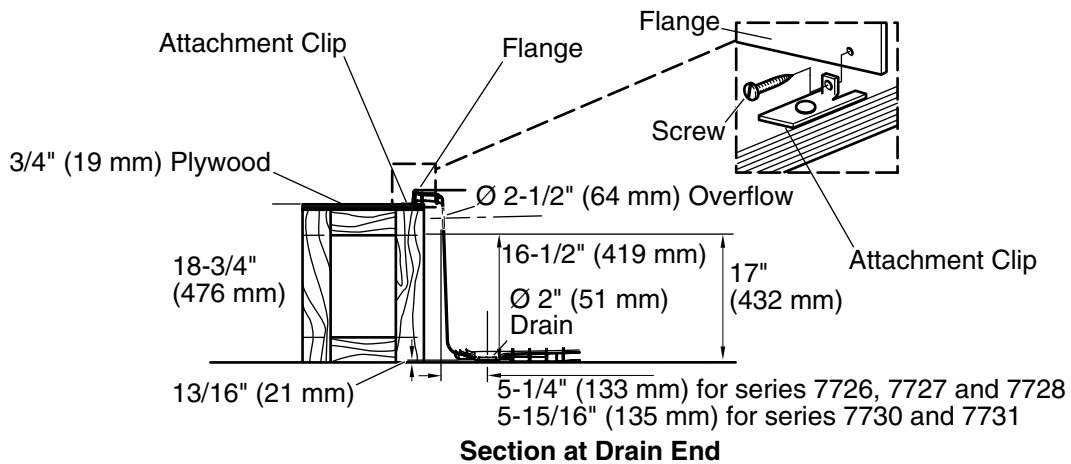
**NOTE: To adjust for level:** Remove the bath. Place shims under the bath feet. Position the bath in the recess or island and recheck for level. Repeat until the bath is level.

**NOTE:** The maximum distance between shimmed feet is 22" (559 mm).



## 10. Secure the Bath – Alcove

- Refer to the "Roughing-In" section for recommended clip locations.
- Verify the studs are within 1/8" (3 mm) of the bath at the recommended support clip locations. Shim if necessary.
- Slide the bottom of each attachment clip into the space between the bath flange and stud until the tab touches the bath.
- Secure the attachment clips with galvanized or plated flathead screws.



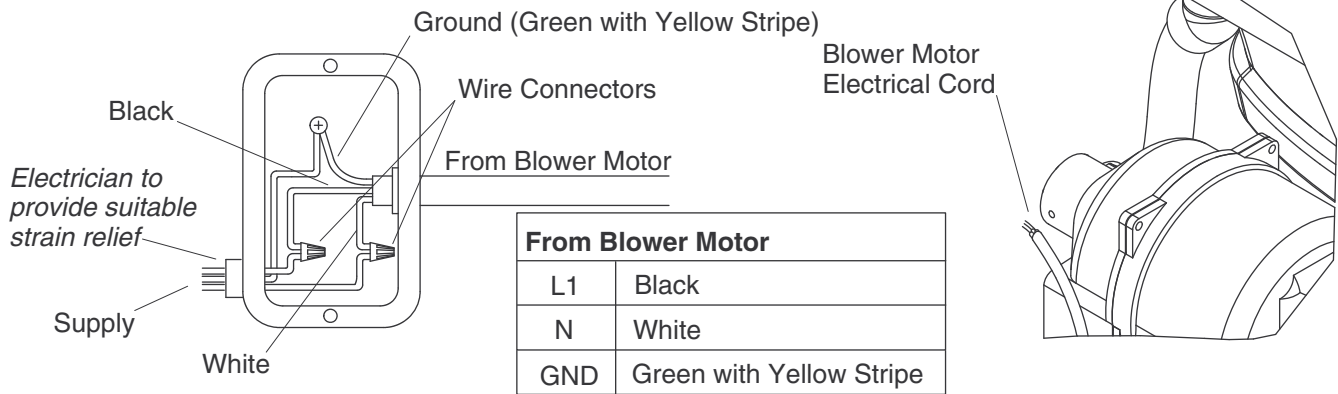
## 11. Secure the Bath – Drop-In

- Verify that the studs are within 1/8" (3 mm) of the bath at the recommended support clip or screw locations. Shim if necessary.
- Position the bottom lip of the attachment clip under the edge of the bath and place the tab against the bath flange.
- Drill pilot holes through the flange at the attachment clip locations to protect the flange from cracking when the fasteners are installed.
- Slide the attachment clip into place between the center of the stud and the bath.
- Secure the attachment clips with galvanized or plated non-tapered flathead screws.



The junction box should be wired as shown

Bond in accordance with national and local codes



## 12. Make Electrical Connections - Dedicated Circuit Models



**WARNING: Risk of electric shock.** To reduce the risk of electrical shock, connect the blower to a properly installed Ground-Fault Circuit-Interrupter (GFCI). This will provide additional protection against line-to-ground shock hazard. A 120 V, 15 A dedicated circuit is required.

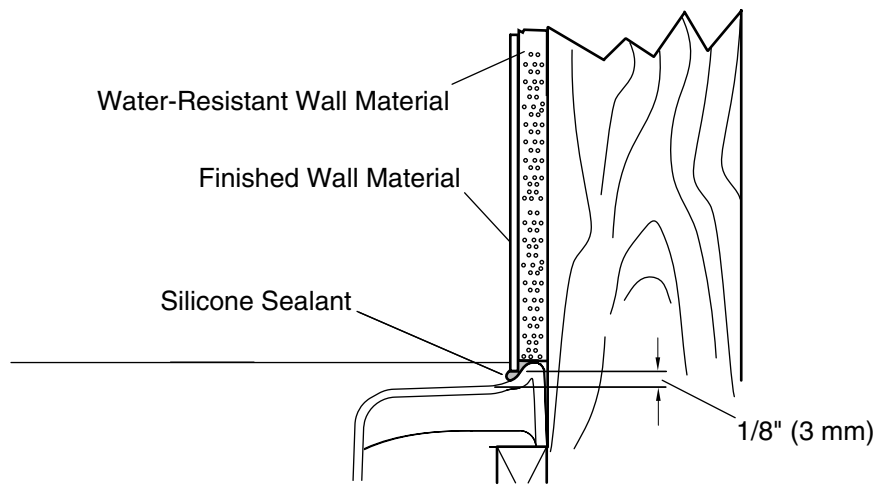


**WARNING: Risk of electric shock.** Make sure the power has been disconnected before performing the following procedures.

- Locate and secure the supplied junction box a minimum of 1-1/2" (38 mm) above the subfloor.
- The blower controls and system have been prewired at the factory. A qualified electrician should make a routine service connection to the junction box.
- Connect service to the junction box. The 60 Hz model junction box contains black and white wires and a ground lug.
- A 120 V, 15 A dedicated circuit is required. Provide a Class A Ground-Fault Circuit-Interrupter (GFCI).
- Provide a separate equipment grounding conductor for the inside ground or ground lug. The conductor **must not** be connected to any current-carrying conductor.
- Bond in accordance with national and local codes.

## 13. Install the Drain

- Connect the drain to the trap according to the manufacturer's instructions.
- Check the drain connections for leaks.



## 14. Complete the Finished Wall

### Alcove Installations

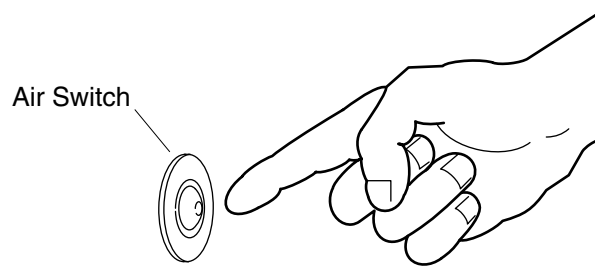
- Brush all dust and debris from the bath flange.
- Install the finished wall material over the water-resistant wall material. Maintain a 1/8" (3 mm) gap between the finished wall material and the bath surface.
- Using 100% silicone sealant, seal the 1/8" (3 mm) gap between the bath surface and finished wall. Allow the sealant to cure according to the sealant manufacturer's instructions.

### Drop-In Installations – Water-Resistant Material

- Cover the framing with water-resistant wall/deck material. Apply the wall material over the bath flange, leaving a 1/16" (2 mm) gap between the bath rim edge and the wall material. This gap helps to reduce the possibility of water seeping into the wall material.
- Using clear 100% silicone sealant, seal the joints between the edge of the bath rim and the water-resistant wall/deck material.
- Apply tape and mud to the water-resistant wall/deck material.
- Install the finished wall over the water-resistant wall/deck material. Using 100% silicone sealant, seal the joints between the edge of the bath rim and the finished wall.

### Drop-In Installations – Tile

- Install tile to the surrounding walls, as desired.
- Apply a bead of 100% silicone sealant where the tile meets the bath surface.



## 15. Confirm Proper Operation

### Installation Checkout

- Verify all electrical connections.
- Turn on the power to the GFCI outlet for the blower.
- Verify the tubing from the air switch is connected to the blower.

### Operating Sequence

- Close the drain and fill the bath to at least 2" (51 mm) above the airjets.
- Press the air switch to activate the airjets. Air will flow at its highest speed.
- Verify that the blower starts and operates without excessive noise or vibration.
- Verify that air is flowing from each airjet.
- Press the air switch twice, cycling through the medium and low speeds.
- Press the air switch again to turn off the blower. Verify that the blower stops.
- Drain the bath.

# Guide d'installation

## Baignoire à jets d'air

### INSTRUCTIONS D'INSTALLATION



**AVERTISSEMENT:** Des précautions de base seront observées pour l'installation d'équipements électriques, incluant:



**DANGER: Risque d'électrocution.** Afin de réduire les risques de choc électrique, raccorder la pompe ou le moteur-souffleur uniquement à une prise de terre, protégée par un disjoncteur de fuite de terre (GFCI). Ne pas retirer la broche de mise à la terre de la fiche. Ne pas utiliser d'adaptateurs de mise à la terre.



**AVERTISSEMENT: Risque de blessures ou d'endommagement du matériel.** Veuillez lire avec attention les instructions avant de commencer l'installation, incluant les exigences suivantes:



**AVERTISSEMENT: Risque d'électrocution.** Un électricien qualifié devrait effectuer toutes les connexions électriques.



**AVERTISSEMENT: Risque d'électrocution.** Débrancher l'alimentation avant de procéder à l'entretien.

Les matériaux de construction et le câblage devraient être acheminés loin du corps de la pompe ou du moteur-souffleur et d'autres composants qui dégagent de la chaleur de l'unité.

Une mise à la terre est requise. L'unité doit être installée par un représentant qualifié et être mise à la terre.

Installer de façon à permettre l'accès pour l'entretien.

Une borne de mise à la terre est incluse dans le boîtier du câblage. Afin de réduire les risques d'électrocution, cette borne doit être raccordé à la borne de mise à la terre du panneau du service électrique, avec un conducteur ayant le même calibre que celui des conducteurs du circuit qui alimente cet équipement.

Installer l'unité conformément au Code Électrique Canadien, Partie I.

**REMARQUE: Respecter tous les codes de plomberie, d'électricité et de bâtiment locaux.**

## Information sur le produit

### Branchements électriques requis

**REMARQUE:** Si le câble d'alimentation est endommagé, il doit être remplacé par le fabricant, son représentant ou autre personnel similaire qualifié pour éviter tout danger.

- L'installation doit inclure un disjoncteur de fuite de terre (GFCI) de classe A. Le disjoncteur GFCI protège contre les risques d'électrocution phase-terre. Utiliser une alimentation de 120 V, 15 A, 60 Hz dédiée à la baignoire avec jets d'air.

### Notices du produit



**AVERTISSEMENT: Des modifications non approuvées de la pompe ou du moteur-souffleur pourraient provoquer un fonctionnement dangereux ou une mauvaise performance du produit.** Ne pas déplacer la pompe ou le souffleur, et ne pas effectuer d'autres modifications sur le système, étant donné que cela pourrait affecter les performances et la sécurité du produit. Sterling décline toute responsabilité sous sa garantie ainsi que toute responsabilité pour blessures ou endommagements causés par de telles modifications non autorisées.

### Pièces assemblées en usine

## INSTRUCTIONS D'INSTALLATION (cont.)

- Les composants installés en usine comportent: souffleur avec cordon d'alimentation, émetteur d'interrupteur d'air et jets d'air.

### Connexions et accès pour l'entretien

- S'assurer d'avoir suffisamment d'accès pour les connexions finales avant l'installation.

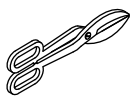
## Sommaire

INSTRUCTIONS D'INSTALLATION	1
Outils et matériaux	2
Avant de commencer	2
Plan de raccordement	4
Préparation du site	5
Raccordement de la plomberie – Installations en alcôve	7
Raccordement de la plomberie – Installations encastrées	8
Installer un lit de mortier (recommandé)	9
Préparer la baignoire – Installations en alcôve	10
Installer le bandeau optionnel – Installations en alcôve	11
Préparer la baignoire – Installations encastrées	12
Installer la prise de courant	14
Positionner la baignoire	15
Sécuriser la baignoire – Alcôve	16
Sécuriser la baignoire – Encastrément	17
Effectuer les connexions électriques - Modèles de circuits dédiés	18
Installer le drain	18
Compléter le mur fini	19
Confirmer le bon fonctionnement	20

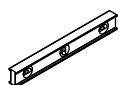
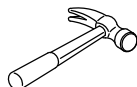
## Outils et matériaux



Mastic à la silicone claire à 100%



Cisailles de Ferblantier



### Plus:

- Outils conventionnels de menuiserie et matériels
- Bâche de protection
- Mortier (optionnel)
- 1 x 4 et 2 x 4 ou 2 x 6
- Scie cylindrique
- Plaqués ou vis à tête plate non coniques galvanisés
- Tasseaux

## Avant de commencer



**ATTENTION: Risque de blessures.** Ne pas sélectionner un robinet à montage sur rebord de taille large ou un robinet à montage sur comptoir de taille large pour ce produit. Ces robinets peuvent avoir été utilisés par inadvertance comme moyen de support ne sont pas appropriés ou sécuritaires pour cette installation. Sélectionner un robinet à montage mural ou autre robinet à montage sur comptoir.

## Avant de commencer (cont.)



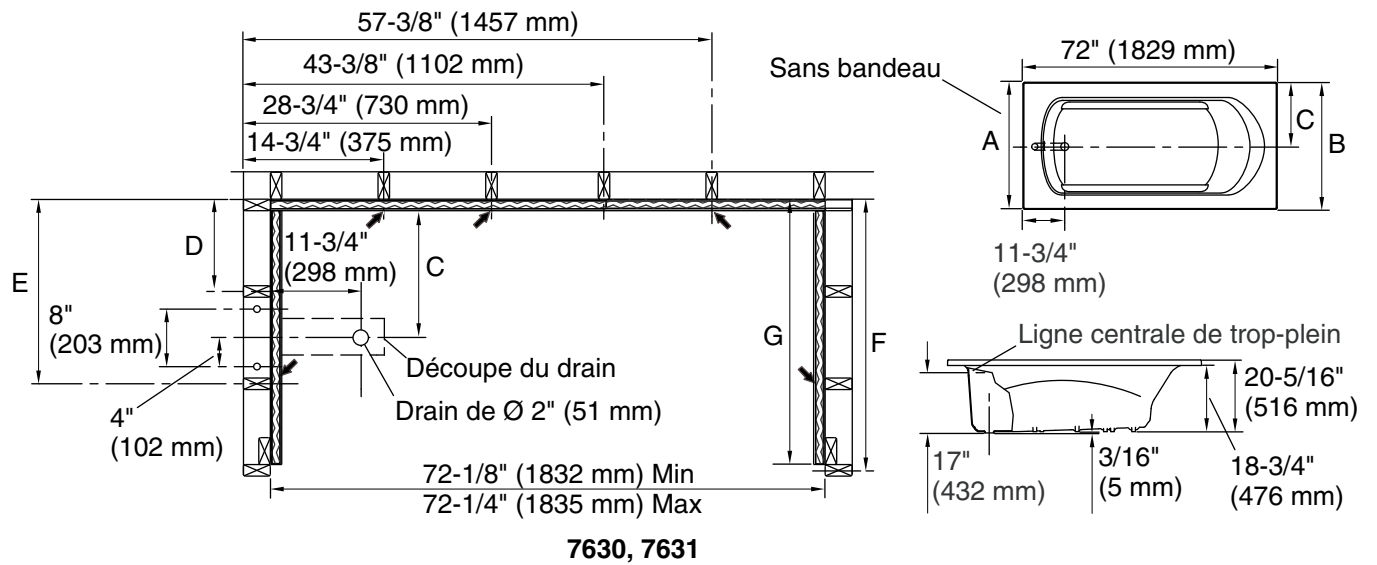
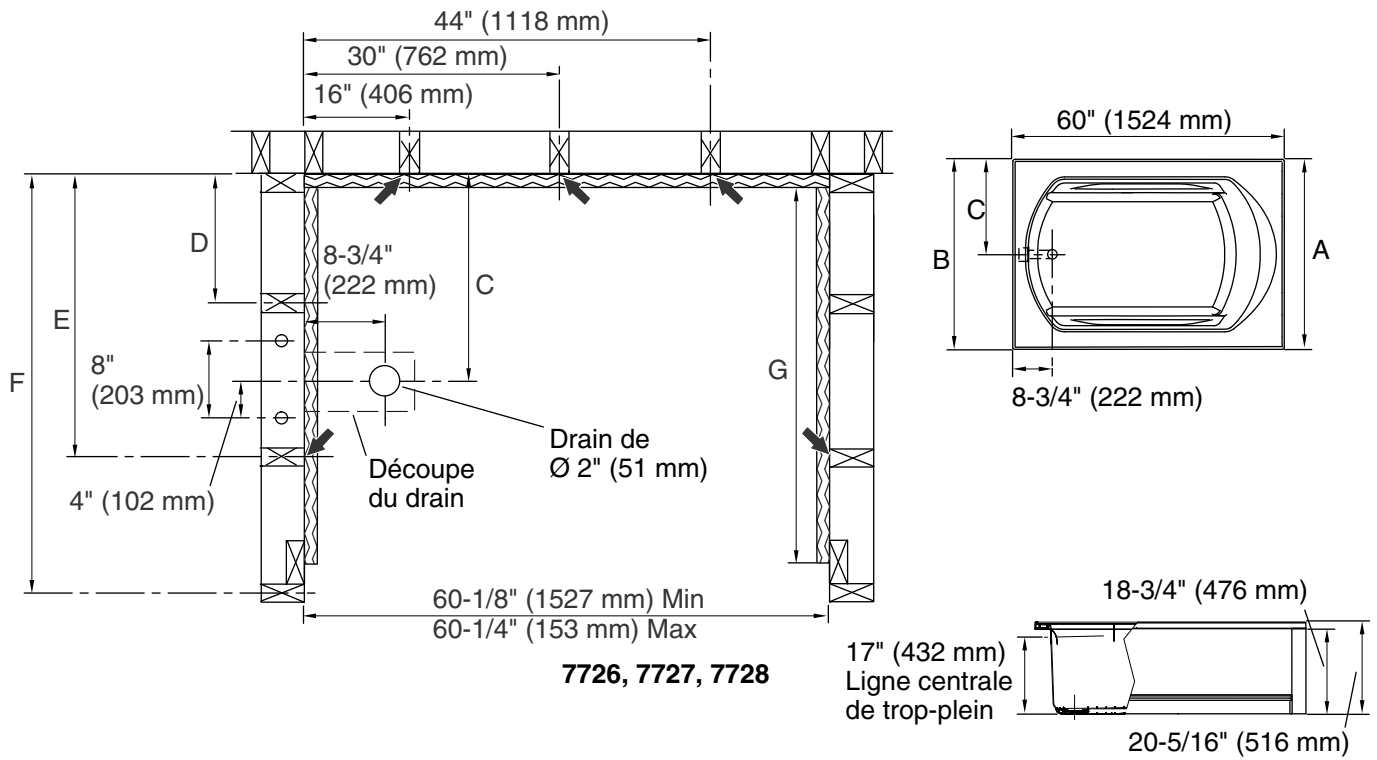
**ATTENTION: Risque d'endommagement du matériel.** Utiliser un mastic d'étanchéité en silicone transparent à 100% sur les zones requises lorsqu'indiqué. Ne pas utiliser de mastic d'étanchéité à base de latex ni d'autres mastics isolants. Ne pas rajouter de mastic à la silicone à d'autres endroits. Un type et une application non appropriée de mastic peut emprisonner l'humidité et ceci pourrait entraîner de la moisissure ou des fuites sur la durée de vie du produit.



**AVIS: Risque d'endommagement du produit.** Ne pas soulever la baignoire par la tuyauterie ou le souffleur. Ne pas utiliser la tuyauterie ou sur le souffleur pour le support structurel de la baignoire. Soulever la baignoire par le rebord à de multiples points.

**AVIS: Risque d'endommagement du produit.** Ne pas installer la baignoire sur des solives du sol exposées. Si le plancher est à niveau et d'équerre avec les montants du cadre, l'espace de la cuve de la baignoire ne nécessite pas de support supplémentaire. Installer la baignoire sur un plancher correctement supporté et nivelé. Il sera nécessaire de poser des cales si le plancher n'est pas à niveau.

**AVIS: Risque d'endommagement du produit.** Sélectionner des vis à tête plate non coniques qui sont galvanisées ou plaquées, et consulter les codes du bâtiment locaux pour le type de revêtement requis. Le revêtement sur les vis élimine la possibilité de marques de rouille sur votre produit.

- Respecter tous les codes locaux applicables de plomberie, électriques et de bâtiment.
- Cette baignoire à encastrement est destinée à des installations en podium ou en alcôve encastrées, avec un bandeau.
- Les accessoires qui requièrent un renfort ou un support ne sont pas recommandés pour cette installation.
- Ne pas retirer l'ancienne baignoire avant d'avoir déballé et examiné la nouvelle.
- Pour les installations de remodelage: (1) Mesurer le cadrage existant avant de retirer la baignoire existante afin d'assurer que la nouvelle baignoire s'adapte dans le cadrage déjà en place. (2) S'assurer que l'orifice de sortie du drain et que le conduit du drain se trouvent dans l'emplacement adéquat. (3) Ne pas retirer la baignoire existante avant d'avoir déballé la nouvelle baignoire et avant que celle-ci n'ait été inspectée pour s'assurer de l'absence de court-circuits et de dommages. Reporter immédiatement tout endommagement ou toute pièce manquante.
- S'assurer qu'il y ait un espace adéquat de connexion pour l'alimentation d'eau et l'installation de drain.
- Maintenir la garniture (fournie) en place, jusqu'à ce que la construction soit terminée.
- En cas de problèmes d'installation ou de performance, ne pas hésiter à contacter Sterling au 1-888-STERLING aux États-Unis ou 001-877-680-1310 au Mexique.
- Sterling se réserve le droit d'apporter des modifications sur le design des produits sans avis préalables, comme spécifié dans le catalogue des prix.



-  Emplacement pour lambourde de plancher
-  Emplacement recommandé pour le clip de support ou clou pour toiture (5 total)

### Plan de raccordement

	A	B	C	D	E	F	G
7726	32" (813 mm)	32-1/4" (819 mm)	16" (406 mm)	10" (254 mm)	22" (559 mm)	31-1/4" (794 mm)	30-1/4" (768 mm)

**Plan de raccordement (cont.)**

7727	36" (914 mm)	36-1/4" (921 mm)	18" (457 mm)	12" (305 mm)	24" (610 mm)	35-1/4" (895 mm)	34-1/4" (870 mm)
7728	42" (1067 mm)	42-1/4" (1073 mm)	21" (533 mm)	15" (381 mm)	27" (686 mm)	41-1/4" (1048 mm)	40-1/4" (1022 mm)
7730	36" (914 mm)	N/A	18" (457 mm)	12" (305 mm)	24" (610 mm)	35-1/4" (895 mm)	34-1/4" (870 mm)
7731	42" (1067 mm)	N/A	21" (533 mm)	15" (381 mm)	27" (686 mm)	41-1/4" (1048 mm)	40-1/4" (1022 mm)

## 1. Préparation du site

**AVIS:** Tous les dimensions indiquées dans la section "Plan de raccordement" sont nominales. La tolérance de l'ouverture du montant est de +1/8" (3 mm)/-0. Mesurer soigneusement le dispositif avant de déterminer la taille de son logement. Un calage entre le cadre du montant et l'appareil sanitaire pourrait être nécessaire. Si un pare-feu est requis, les dimensions de raccordement devront augmenter en fonction de l'épaisseur du matériau du pare-feu. Les dimensions d'ouverture des montants doivent être mesurées vers le côté exposé du matériau du mur. Les dimensions fournies dans le plan du raccordement sont cruciales pour une bonne installation. Construire le cadre et la plomberie avec exactitude.

### Plomberie

- Installer le conduit du drain conformément aux instructions du fabricant'. Placer le conduit du drain et le siphon en utilisant les dimensions données dans la section " Plan de raccordement ".

### Construction du plancher

**AVIS:** La baignoire doit être à niveau et doit reposer sur ses pieds. C'est pourquoi la construction d'un plancher qui est à niveau et qui peut supporter le poids de la baignoire est de première importance.

Support du plancher sous le modèle de la baignoire:	7726	doit pouvoir supporter une charge minimum de:	40 lb/pied carré (197 kg/mètre carré).
	7727		40 lb/pied carrés(193 kg/mètre carré).
	7728		39 lb/pied carré(188 kg/mètre carré).
	7730		41 lb/pied carré (200 kg/mètre carré).
	7731		41 lb/pied carré (200 kg/mètre carré).

- Construire un sous-plancher en bois contreplaqué. Si un autre matériau que du bois contreplaqué est utilisé, la friction pourrait causer un grincement au cours du temps.
- Vérifier que le plancher est nivelé. Si le sous-plancher n'est pas à niveau, installer une couche de mortier (recommandé) pour niveler le sous-plancher. Se reporter à la section "Installer un lit de mortier (recommandé)".

**REMARQUE:** Si le sous-plancher n'est pas à niveau et si aucune couche de mortier ne sera installée, la section "Préparer la baignoire" demandera de placer une couche de feutre sur le sous-plancher et d'ajouter des cales sous la baignoire pour obtenir un niveau horizontal.

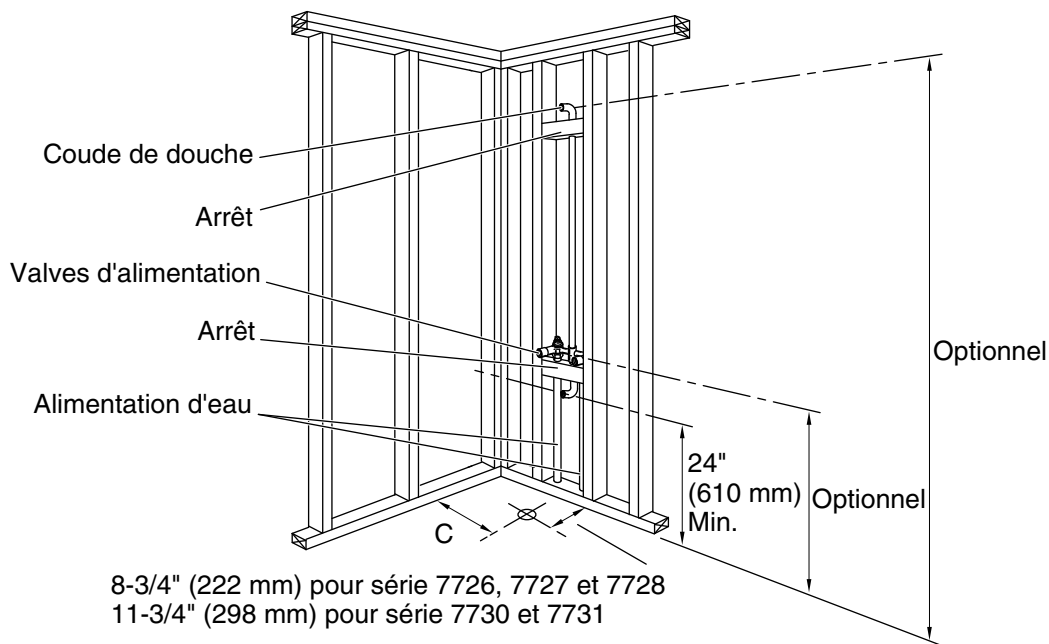
### Considérations de cadrage

- Planifier l'emplacement de la baignoire pour permettre un dégagement pour (1) une évacuation par les solives du sol et (2) une installation pratique pour la plomberie.
- Prévoir un accès à toutes les connexions de la plomberie pour faciliter tout entretien futur. Inclure un accès à l'arrière du mur de plomberie là où c'est possible.



### **Préparation du site (cont.)**

- Si une porte de douche est installée, se reporter aux instructions du fabricant de la porte de la douche pour toutes considérations spéciales pour l'encadrement, comme les montants doubles au niveau des coins avant de l'encadrement.

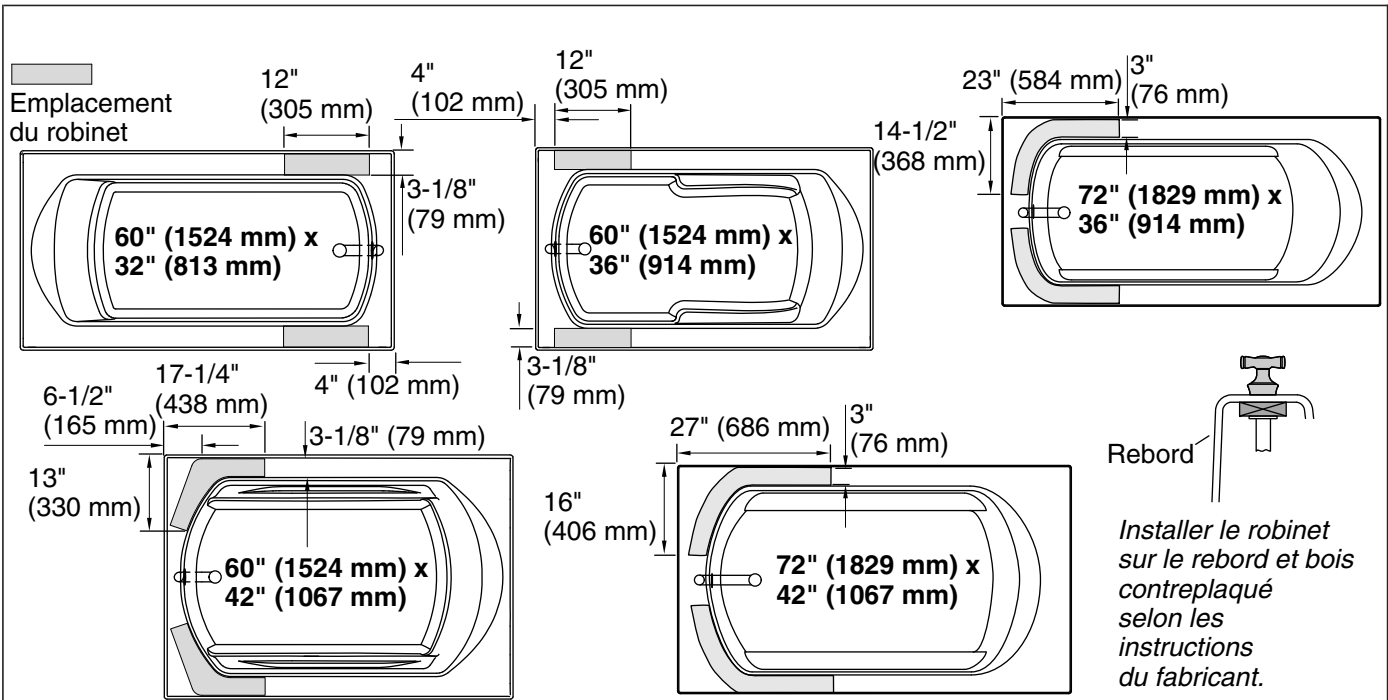


## 2. Raccordement de la plomberie – Installations en alcôve

	C
7726	16" (406 mm)
7727	18" (457 mm)
7728	21" (533 mm)
7730	18" (457 mm)
7731	21" (533 mm)

**REMARQUE:** Si la plomberie doit être installée sur le mur du montant non fini, installer les alimentations **après** que la baignoire soit installée.

- Positionner la plomberie selon l'information du plan du raccordement. Boucher les alimentations et s'assurer de l'absence de fuites.
- Pour des installation de drain au-dessus du sol:** Découper le trou dans le sol pour le conduit du drain. **Pour des installation de drain à travers le sol:** Découper le trou dans le sol pour l'ensemble du drain. La connexion du drain devrait être effectuée directement sous le drain du trop-plein. Laisser de l'espace pour connecter la tuyauterie.
- Installer les alimentations en eau selon les instructions du fabricant du robinet'. Boucher les alimentations et s'assurer de l'absence de fuites.
- Attacher les connexions d'alimentation d'eau au cadrage du montant.
- Installer la robinetterie de la douche conformément aux instructions du fabricant. Ne pas installer la bague à ce moment.



### 3. Raccordement de la plomberie – Installations encastrées

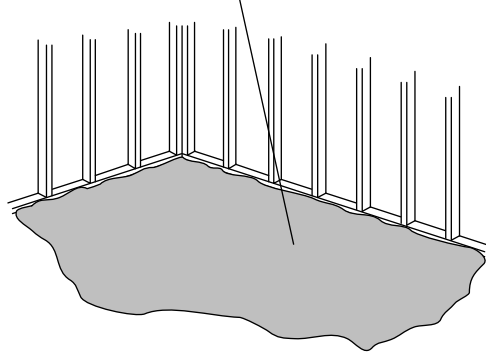


**ATTENTION: Risque de blessures.** Ne pas sélectionner un robinet à montage sur rebord de taille large ou un robinet à montage sur comptoir de taille large pour ce produit. Ces robinets peuvent avoir été utilisés par inadvertance comme moyen de support ne sont pas appropriés ou sécuritaires pour cette installation. Sélectionner un robinet à montage mural ou autre robinet à montage sur comptoir.

**REMARQUE:** Ne pas installer la bague à ce moment.

- Avant d'installer un robinet à montage sur rebord ou sur comptoir, mesurer et couper un morceau de contre-plaqué de qualité pour l'extérieur de 3/4" qui servira de support sous le rebord de la baignoire. Couper un morceau de contre-plaqué assez large pour supporter les composants du robinet et qui s'étend au-delà de la zone où le robinet sera installé.
- Installer les conduits d'alimentation en eau à l'un des emplacements spécifiés pour le robinet. Se référer aux instructions du fabricant du robinet pour une bonne installation.
- Attacher les lignes d'alimentations au cadrage du montant.
- Installer les valves conformément aux instructions du fabricant du robinet.

*Étaler une couche de ciment de 2"  
(51 mm) ou un matériau de mortier.*



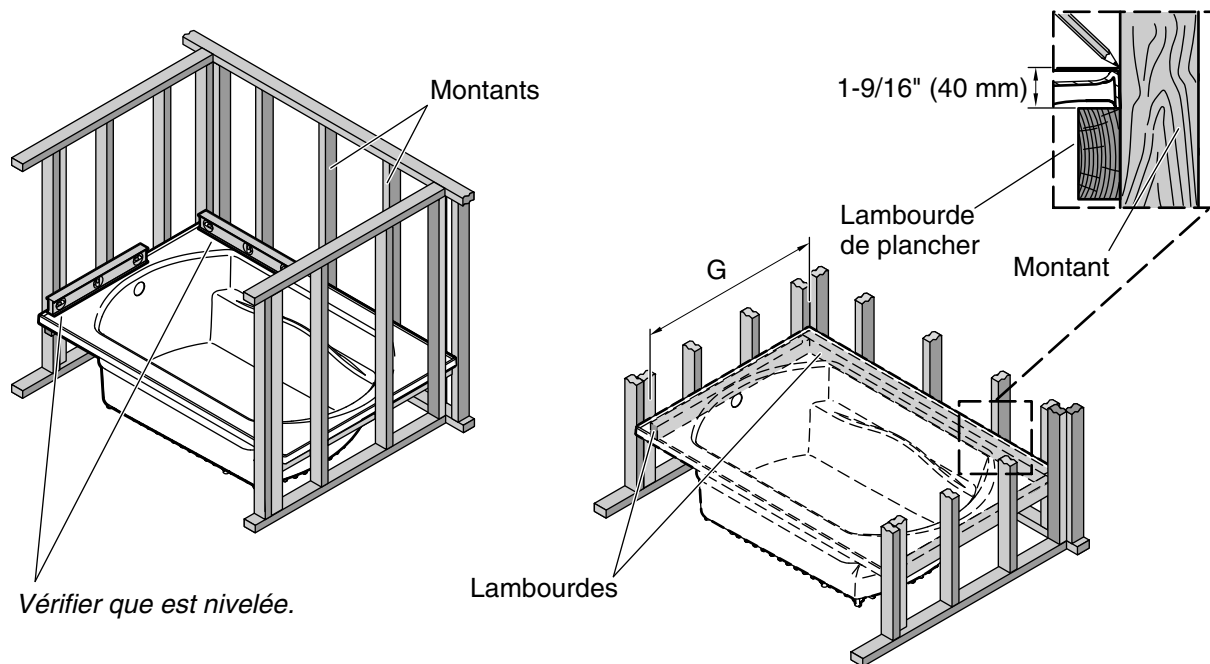
#### 4. Installer un lit de mortier (recommandé)

**AVIS:** Pour obtenir les meilleurs résultats possibles, nous vous recommandons de poser une couche de mortier sur le sous-plancher. Ceci ne fournira non seulement un support solide, mais éliminera également la possibilité de mouvement et de bruit lors de l'utilisation.

**AVIS: Utiliser du mortier mélangé à du sable.** Ne pas utiliser de plâtre, de plâtre dur, de la pâte de jointoyage ou du mortier contenant des cailloux/pierres pour cette application. Ils ne sont pas adéquats pour cette application et/ou ne fournissent pas de support structurel approprié.

**REMARQUE:** Les blocs de renfort de la baignoire doivent s'appuyer directement sur le sol brut. La construction d'un sous-plancher à niveau est de première importance pour une installation adéquate.

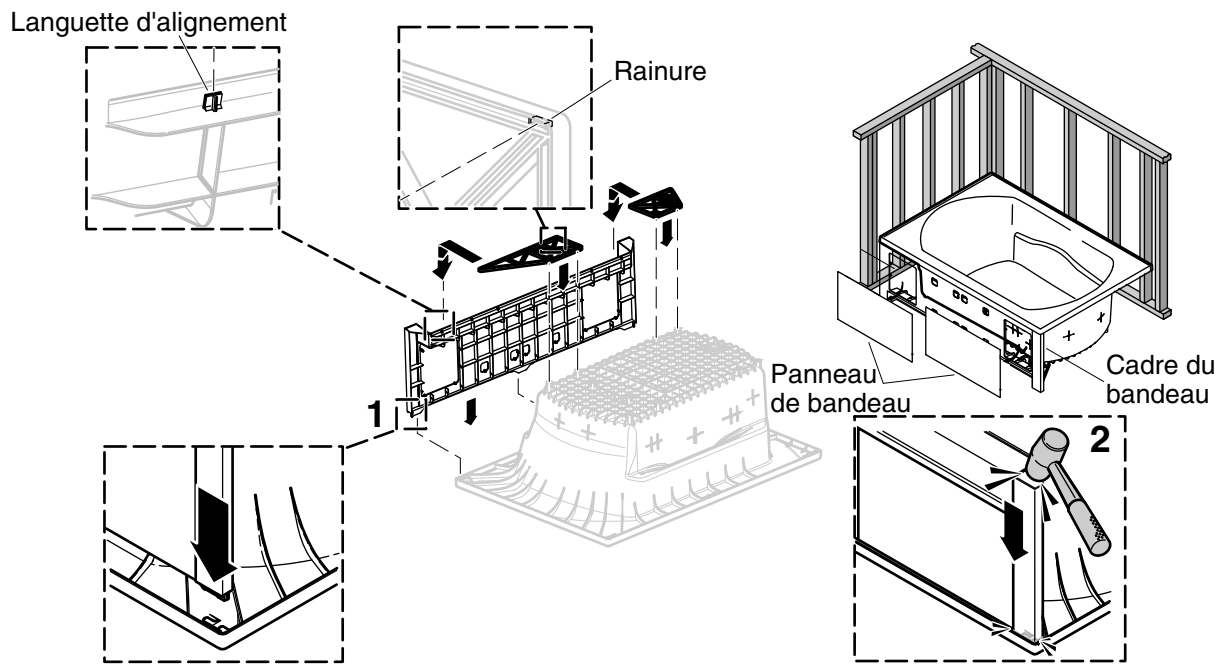
- Installer les raccord du drain et du trop plein à la baignoire selon les instructions du fabricant qui accompagnent le produit.
- Étaler une couche de mortier de 2" (51 mm) sur le sous-plancher, en l'étalant de manière à ce que chaque surface de la baignoire qui entre en contact avec le sous-plancher soit couverte de mortier. **Ne pas étaler le mortier autour de la zone de drainage ou à l'emplacement du souffleur.** Laisser de l'espace au mortier pour s'étendre par le poids de la baignoire.
- Déplacer immédiatement la baignoire à sa place.
- S'assurer que la baignoire soit nivelée et qu'elle repose sur tous les supports.
- Nettoyer la baignoire pour réduire le risque d'endommagement de la surface.



## 5. Préparer la baignoire – Installations en alcôve

Séries	G
7726	30-1/4" (768 mm)
7727	34-1/4" (870 mm)
7728	40-1/4" (1022 mm)
7730	34-1/4" (870 mm)
7731	40-1/4" (1022 mm)

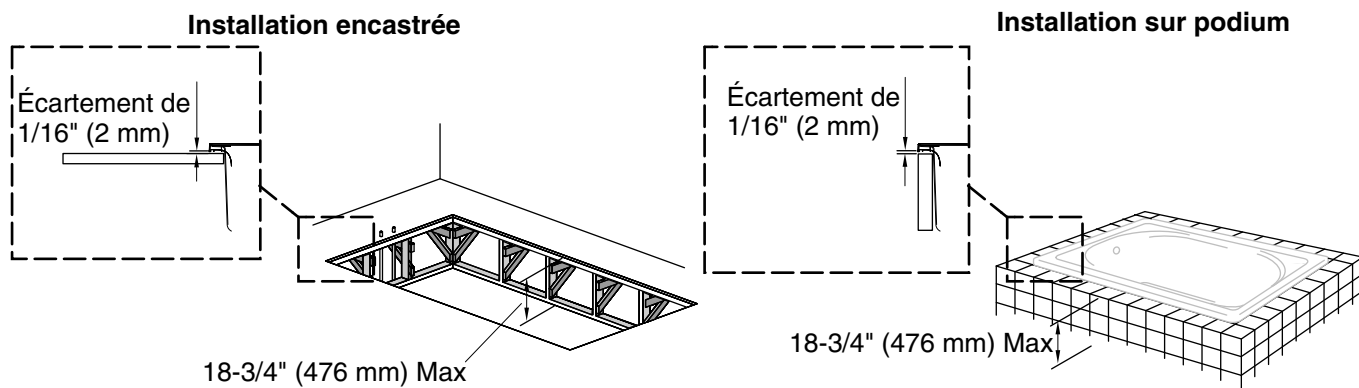
- Si aucune couche de mortier n'a été mise en place, aligner l'orifice du drain dans le coussinet en feutre sur l'orifice du drain dans le sous-plancher. Fixer le coussinet en feutre en place avec des attaches (comme des agrafes ou des clous).
- Installer les raccord du drain et du trop plein à la baignoire selon les instructions du fabricant qui accompagnent le produit.
- Cloisonner la baignoire.
- Vérifier que la Baignoire est de niveau. Si le sous-plancher n'est pas à niveau, insérer des cales sous la baignoire pour ajuster et obtenir un niveau plat.
- Marquer la hauteur de la bride de la baignoire sur chaque paroi de montant. Mettre la baignoire de côté.
- Mesurer et marquer 1-9/16" (40 mm) à partir de la première marque vers le bas.
- Couper deux lambourdes dans le matériau 1x4 à la longueur spécifiée dans la dimension "G." Couper une troisième lambourde pour adapter celle-ci à la largeur restante de l'enveloppe du montant.
- Installer les lambourdes.
- Resécuriser la baignoire à sec afin de s'assurer que celle-ci n'est pas supportée par le rebord. Si nécessaire, retirer les lambourdes, les abaisser légèrement, puis les réinstaller.
- Retirer la baignoire.



## 6. Installer le bandeau optionnel – Installations en alcôve

### Séries 7726, 7727 et 7728 seulement

- Placer une barrière de protection sur le plancher afin d'éviter de rayer la baignoire.
- Retourner la baignoire.
- Déterminer quel est le côté correct pour l'installation.
- Aligner les trois pattes d'alignement du cadre du bandeau sur les fentes du rebord de la baignoire (1).
- Appuyer sur les pattes d'alignement pour les mettre en place dans les fentes situées sur le rebord de la baignoire. Si nécessaire, utiliser un maillet en caoutchouc pour taper doucement sur les pattes d'alignement afin de les mettre en place (2).
- Installer les panneaux du bandeau dans le cadre du bandeau.



Créer l'ouverture de manière à ce qu'elle soit plus petite de 1" (25 mm) que la baignoire à hydromassage dans les deux directions.

Suivre l'illustration du raccordement pour la construction.

## 7. Préparer la baignoire – Installations encastrées

**AVIS:** Ne pas laisser le comptoir supporter la baignoire par le rebord. La baignoire doit être supportée par ses pieds.

### Installation encastrée

**REMARQUE:** Une installation encastrée exige une découpe dans le plancher avec support sur les quatre côtés. Une charpente et un plancher doivent être ajoutés sous le comptoir. Le comptoir positionne la baignoire, tandis que l'encadrement et le sous-plancher soutiennent la baignoire.

- Disposer et couper avec soin le matériau brut du comptoir, en faisant en sorte que la largeur et la longueur de l'ouverture soit plus petite de 1" (25 mm) que la baignoire. Se reporter au diagramme applicable dans la section "Plan de raccordement".
- Permettre un espace pour l'installation de l'ensemble du drain et de la tuyauterie d'alimentation d'eau.
- Construire un panneau d'accès de 18" (457 mm) x 15" (381 mm) à l'extrémité souffleur de l'appareil sanitaire.
- Construire un sous-plancher à niveau qui ne soit pas plus bas que 18-3/4" (476 mm) sous le comptoir brut.
- Construire l'encadrement 2x4 ou 2x6 sur le dessus du sous-plancher à niveau. Le comptoir fini doit permettre un espace de 1/16" (2 mm) pour le mastic d'étanchéité entre le comptoir brut et le rebord inférieur de la baignoire.

### Installation sur podium

**REMARQUE:** Une installation sur podium requiert un encadrement à quatre côtés typiquement construit en brique ou béton. Le contour positionne la baignoire, tandis que le plancher soutient la baignoire.

- Exposer avec précaution le travail de maçonnerie. Considérer si le carrelage fini sera à égalité avec la baignoire ou installé sous le rebord.
- Permettre un espace pour l'installation de l'ensemble du drain et de la tuyauterie d'alimentation d'eau.
- Construire un panneau d'accès de 18" (457 mm) x 15" (381 mm) à l'extrémité souffleur de l'appareil sanitaire.
- Construire un sous-plancher à niveau qui ne soit pas plus bas que 18-3/4" (476 mm) sous le podium à maçonnerie.
- Construire le podium en brique ou béton.

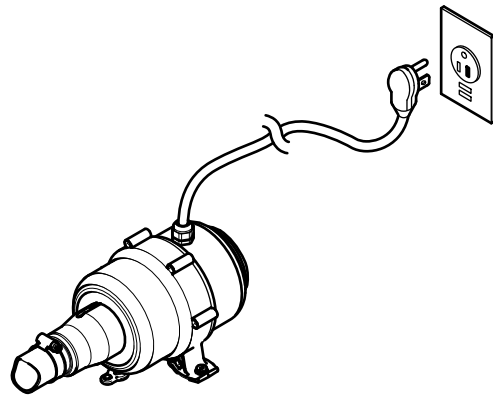
### **Préparer la baignoire – Installations encastrées (cont.)**

- Ajouter du carrelage ou un autre matériau de finition en laissant un espace de 1/16" (2 mm) pour le mastic d'étanchéité entre le podium et le rebord de la baignoire.

### **Toutes les installations encastrées**

- Si aucune couche de mortier n'a été appliquée, placer un coussin (non fourni) doté d'un orifice découpé pour le drain sur le sous-plancher, puis fixer le coussin en feutre en place avec des attaches (comme des agrafes ou des clous).
- Vérifier que la Baignoire est de niveau. Si la baignoire n'est pas à niveau, insérer des cales sous celle-ci pour l'ajuster et obtenir un niveau plat.





Prise protégée par un disjoncteur différentiel GFCI et mise à la terre de 120V, 15 A

## 8. Installer la prise de courant

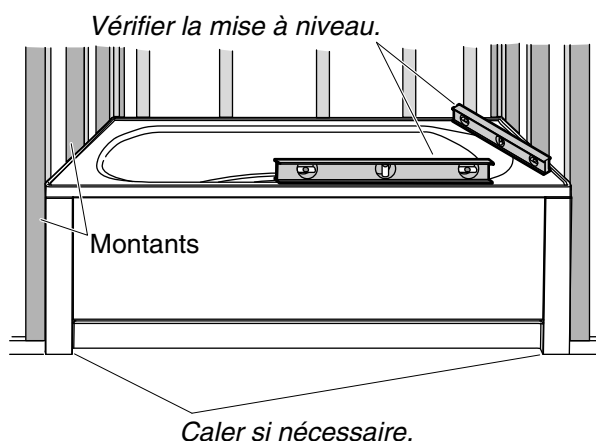


**ATTENTION: Risque de blessures.** Ne pas alimenter avant l'instruction de le faire.

**REMARQUE:** La baignoire est dotée d'une prise et d'un cordon. Tous les câblages du souffleur et des commandes ont été effectués en usine.

**REMARQUE:** Se référer à l'étiquette située près du souffleur. Cette étiquette identifie les caractéristiques électriques le numéro de modèle de la baignoire.

- Installer une prise de 120 V et de 15 A, protégée par un disjoncteur de fuite de terre et mise à la terre à l'arrière la baignoire et dans un espace de 24" (610 mm) de l'emplacement du moteur souffleur. Aucune autre charge ne doit être montée sur ce circuit.
- Installer un conducteur de liaison (de mise à la terre) à l'emplacement futur du souffleur selon les codes locaux applicables.



## 9. Positionner la baignoire

### Installations en alcôve

**ATTENTION: Risque d'endommagement du produit.** Ne pas soulever ni déplacer la baignoire par le bandeau ou des montants du bandeau. Vérifier que les renforts du bandeau sont attachés avant d'installer la baignoire, puis soulever la baignoire par le rebord à des points multiples.

**REMARQUE:** 6' Les modèles de baignoires de 6' (1,8 m) exigent la construction d'un bandeau pour les installations en alcôve.

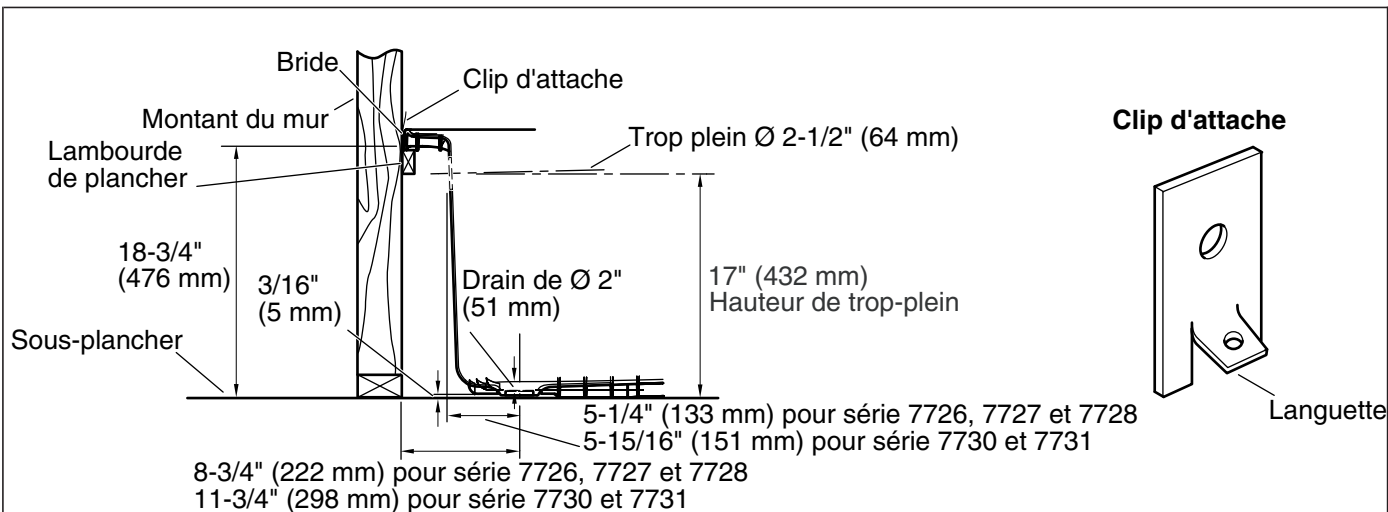
- Vérifier que la Baignoire est de niveau.
- Avec les supports du bandeau en place, lever la baignoire pour la mettre en place. Placer la baignoire de manière à ce que le bord extérieur soit à ras de l'encadrement.

### Installations encastrées (non illustrées)

- Avec l'ensemble drain et trop-plein fixés sur la baignoire, lever la baignoire pour la placer dans la cavité ou sur le podium.
- Vérifier que la baignoire soit à niveau et qu'il y a un espace de 1/16" (2 mm) entre le comptoir brut ou le podium et le rebord de la baignoire.

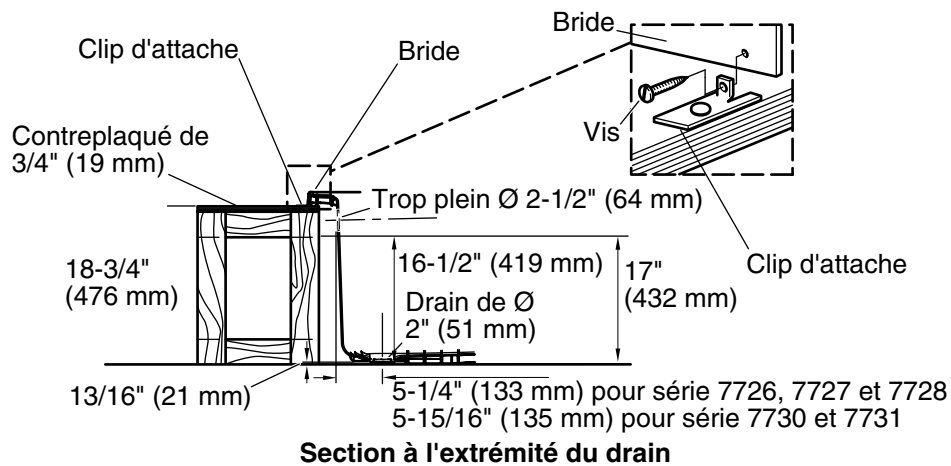
**REMARQUE: Pour ajuster le niveau:** Retirer la baignoire. Placer les cales sous les pieds de la baignoire. Placer la baignoire dans la cavité ou sur le podium et révéifier qu'elle est à niveau. Renouveler l'opération jusqu'à ce que la baignoire soit nivelée.

**REMARQUE:** La distance maximale entre les pieds calés est de 22" (559 mm).



## 10. Sécuriser la baignoire – Alcôve

- Se référer à la section "Plan de raccordement" pour les emplacements recommandés de clips.
- Vérifier que les montants sont à 1/8" (3 mm) de la baignoire aux emplacements recommandés pour les clips de support. Caler si nécessaire.
- Faire glisser le bas de chaque clip d'attache dans l'espace compris entre la bride de la baignoire et le montant, jusqu'à ce que la languette touche la baignoire.
- Fixer les clips d'attache avec les vis à tête plate galvanisées ou plaquées.

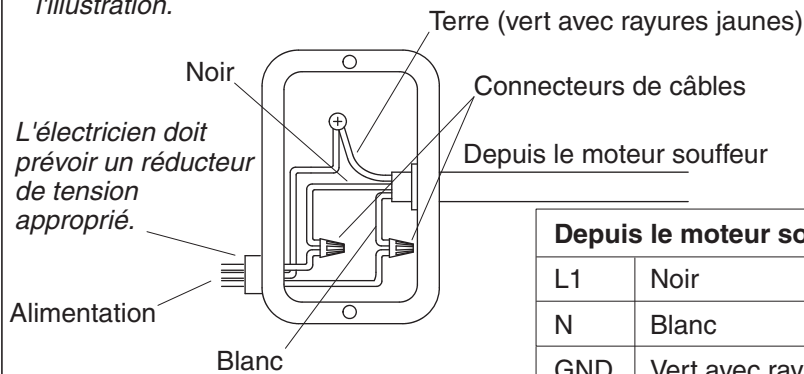


## 11. Sécuriser la baignoire – Encastrement

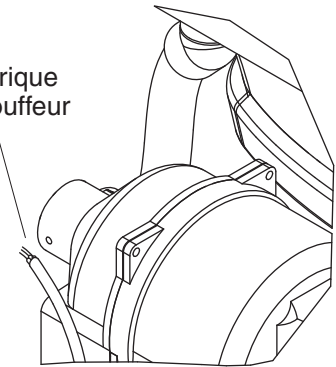
- Vérifier que les montants sont à 1/8" (3 mm) de la baignoire aux emplacements recommandés pour les clips de support ou les vis. Caler si nécessaire.
- Positionner le rebord inférieur du clip d'attache sous le rebord de la baignoire et placer la patte contre la bride de la baignoire.
- Percer des trous-pilotes à travers la bride aux emplacements des clips d'attache afin de protéger la bride contre les craquelures lors de l'installation des dispositifs d'attache.
- Glisser le clip d'attache en place entre le centre du montant et de la baignoire.
- Fixer les clips d'attache avec les vis à tête plate galvanisées ou plaquées, non coniques.

La boîte de jonction doit être connectée selon l'illustration.

Raccorder conformément aux codes nationaux et locaux



Cordon électrique du moteur souffleur



Depuis le moteur souffleur	
L1	Noir
N	Blanc
GND	Vert avec rayures jaunes

## 12. Effectuer les connexions électriques - Modèles de circuits dédiés



**AVERTISSEMENT: Risque d'électrocution.** Afin de réduire les risques de choc électrique, raccorder uniquement le moteur souffleur à un disjoncteur de fuite de terre (GFCI). Ceci fournira une mesure de protection additionnelle contre le risque d'électrocution. Un circuit dédié de 120 V, 15 A est requis.

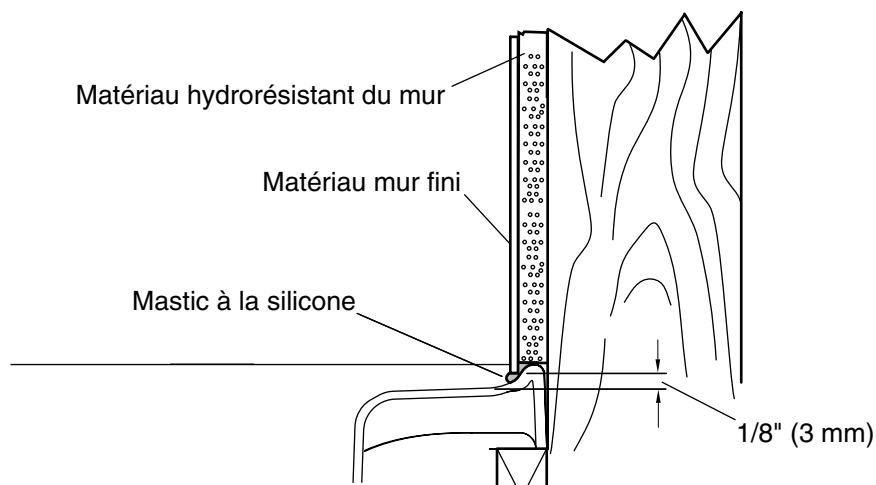


**AVERTISSEMENT: Risque d'électrocution.** S'assurer que l'alimentation ait été débranchée avant d'effectuer les procédures suivantes.

- Positionner et sécuriser la boîte de jonction fournie à un minimum de 1-1/2" (38 mm) au-dessus du sous-plancher.
- Les commandes du souffleur et le système ont été pré-câblés en usine. Un électricien agréé devrait faire la connexion de routine à la boîte de jonction.
- Connecter le service au boîtier de jonction. La boîte de jonction de modèle 60 Hz contient des fils noirs et blancs et une cosse de mise à la terre.
- Un circuit dédié de 120 V, 15 A est requis. Fournir un disjoncteur de fuite de terre (GFCI) de classe A.
- Prévoir un conducteur de terre séparé pour la cosse de mise à la terre. Le conducteur **ne doit pas** être connecté à un fil conducteur.
- Raccorder conformément aux codes nationaux et locaux.

## 13. Installer le drain

- Connecter le drain au siphon selon les instructions du fabricant.
- Vérifier s'il y a des fuites.



## 14. Compléter le mur fini

### Installations en alcôve

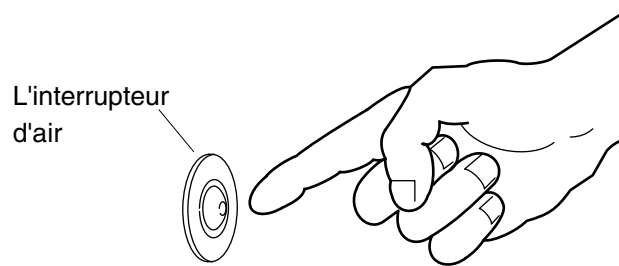
- Brosser tous débris de la bride de la baignoire.
- Installer le matériau du mur fini sur le matériau hydrorésistant du mur. Maintenir un espace de 1/8" (3 mm) entre le matériau du mur fini et la surface de la baignoire.
- Utiliser du mastic à la silicone à 100% pour sceller l'espace de 1/8" (3 mm) entre la surface de la baignoire et le mur fini. Laisser prendre le mastic selon les instructions du fabricant.

### Installations encastrées – Matériau hydrorésistant

- Couvrir l'encadrement avec du matériau hydrorésistant de mur/comptoir. Appliquer le matériau du mur sur la bride de la baignoire, en laissant un espace de 1/16" (2 mm) entre le rebord de baignoire et le matériau du mur. Cet espace réduira la possibilité d'infiltration d'eau sur le matériau du mur.
- Utiliser du mastic à la silicone claire à 100% pour sceller les joints entre l'extrémité du rebord de la baignoire et le matériau du comptoir/mur hydrorésistant.
- Appliquer du ruban et de la terre au matériau hydrorésistant du mur/comptoir.
- Installer le mur fini par-dessus le matériau hydrorésistant du mur/comptoir. Utiliser du mastic à la silicone à 100% pour sceller les joints entre l'extrémité du rebord de la baignoire et le mur fini.

### Installations encastrées – Carrelage

- Installer le carrelage sur les murs alentours, comme souhaité.
- Appliquer une perle de mastic à la silicone à 100% à l'endroit où le carrelage entre en contact avec la surface de la baignoire.



## 15. Confirmer le bon fonctionnement

### Vérification de l'installation

- Vérifier toutes les connexions électriques.
- Mettre la prise du disjoncteur de fuite de terre (GFCI) sous tension pour le souffleur.
- Vérifier que la tubulure en provenance de l'interrupteur d'air est connectée au souffleur.

### Séquence d'opération

- Boucher le drain et remplir la baignoire à 2" (51 mm) au moins au-dessus des jets d'air.
- Appuyer sur l'interrupteur d'air pour activer les jets d'air. De l'air s'écoule à son débit le plus élevé.
- Vérifier que le souffleur démarre et qu'il fonctionne sans bruit ni vibration excessifs.
- Vérifier que l'air s'écoule à partir de chaque jet d'air.
- Appuyer sur l'interrupteur d'air deux fois, pour effectuer un cycle par les vitesses moyenne et basse.
- Appuyer de nouveau sur l'interrupteur d'air pour éteindre le souffleur. Vérifier que le souffleur s'arrête.
- Vider la baignoire.

# Guía de instalación

## Bañera con jets de aire

### INSTRUCCIONES DE INSTALACIÓN



**ADVERTENCIA:** Al usar productos eléctricos, siempre siga las precauciones básicas, incluyendo las siguientes:



**PELIGRO: Riesgo de descarga eléctrica.** Para reducir el riesgo de descarga eléctrica, conecte la bomba o soplador solamente a un tomacorriente correctamente conectado a tierra, protegido con un interruptor de circuito con pérdida a tierra (GFCI). No retire la clavija de conexión a tierra del enchufe. No utilice un adaptador de conexión a tierra.



**ADVERTENCIA: Riesgo de lesiones personales o daños a la propiedad.** Lea atentamente todas las instrucciones antes de comenzar la instalación, incluyendo los requisitos detallados a continuación.



**ADVERTENCIA: Riesgo de descarga eléctrica.** Un electricista calificado debe realizar todas las conexiones eléctricas.



**ADVERTENCIA: Riesgo de descarga eléctrica.** Desconecte el suministro eléctrico antes de dar servicio.

El material de construcción y el cableado se deben colocar lejos del cuerpo de la bomba o soplador y de otros componentes que produzcan calor.

La conexión a tierra es un requisito. Un representante de servicio autorizado debe instalar esta unidad y conectarla a tierra.

Instale la unidad de manera que se permita el acceso para darle servicio.

El compartimento de cables tiene un terminal de conexión a tierra para el equipo. Para reducir el riesgo de descarga eléctrica, este terminal se debe conectar a la conexión de tierra provista en el panel de suministro eléctrico con un conductor del mismo tamaño que los conductores del circuito que alimentan este equipo.

Instale la unidad conforme al Código Eléctrico Canadiense, Parte I.

**NOTA: Cumpla con todos los códigos locales de plomería, de construcción y de electricidad.**

## Información sobre el producto

### Requisitos eléctricos

**NOTA:** Si el cable de alimentación está dañado, debe ser reemplazado por el fabricante, su agente de servicio o personas igualmente calificadas para así evitar un peligro.

- La instalación debe contar con un interruptor de circuito con pérdida a tierra (GFCI) de Clase A. El GFCI protege contra el peligro de descarga eléctrica de línea a tierra. Utilice un circuito dedicado de 120 V, 15 A, 60 Hz para la bañera con jets de aire.

### Avisos sobre el producto



**ADVERTENCIA: Las modificaciones no autorizadas de la bomba o soplador pueden causar un funcionamiento peligroso y bajo rendimiento del producto.** No cambie la ubicación de la bomba o el soplador, ni haga otras modificaciones al sistema, pues esto podría tener un efecto adverso en el rendimiento y en el funcionamiento seguro del producto. Sterling no será responsable bajo su



## INSTRUCCIONES DE INSTALACIÓN (cont.)

garantía o de ninguna otra forma, de lesiones personales o daños provocados por modificaciones no autorizadas.

### Componentes ensamblados en fábrica

- Los componentes instalados en fábrica incluyen: soplador con cable de alimentación eléctrica, transmisor de interruptor de aire y jets de aire.

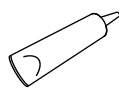
### Acceso de servicio y a las conexiones

- Antes de instalar, verifique que el acceso a las conexiones finales sea adecuado.

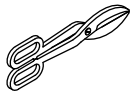
## Contenido

INSTRUCCIONES DE INSTALACIÓN	1
Herramientas y materiales	2
Antes de comenzar	3
Diagrama de instalación	4
Prepare el sitio	5
Instale las tuberías - Instalaciones entre tres paredes	7
Instale las tuberías - Instalaciones de sobreponer	8
Instale una capa de cemento mortero (se recomienda)	9
Prepare la bañera - Instalaciones entre tres paredes	10
Instale el faldón opcional - Instalaciones entre tres paredes	11
Prepare la bañera - Instalaciones de sobreponer	12
Instale el tomacorriente	14
Coloque la bañera	15
Coloque la bañera - Instalaciones entre tres paredes	16
Fije la bañera - Sobreponer	17
Haga las conexiones eléctricas - Modelos con circuitos dedicados	18
Instale el desagüe	18
Termine la pared acabada	19
Confirme el funcionamiento correcto	20

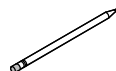
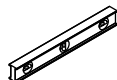
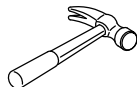
## Herramientas y materiales



Sellador 100%  
de silicona  
transparente



Tijeras  
para chapa



### Más:

- Herramientas y materiales convencionales de carpintería
- Lona
- Cemento mortero (opcional)
- Postes de madera de 1x4 y 2x4 ó 2x6
- Corona perforadora
- Tornillos galvanizados o enchapados de cabeza plana no cónica
- Listones de enrasar

## Antes de comenzar



**PRECAUCIÓN: Riesgo de lesiones personales.** Para este producto no seleccione una grifería grande de montaje en el borde ni de montaje en cubierta. Estas griferías pueden utilizarse accidentalmente como medio de soporte y no son apropiadas ni seguras para esta instalación. Seleccione una grifería de montaje a la pared o una grifería alternativa de montaje en cubierta.



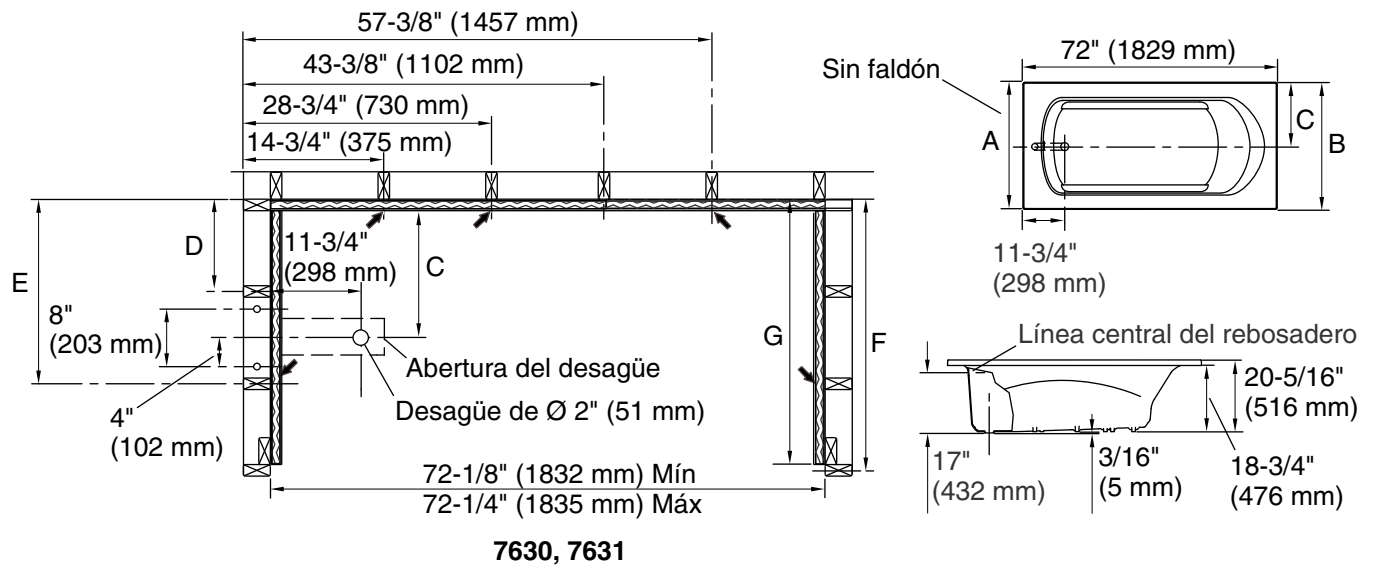
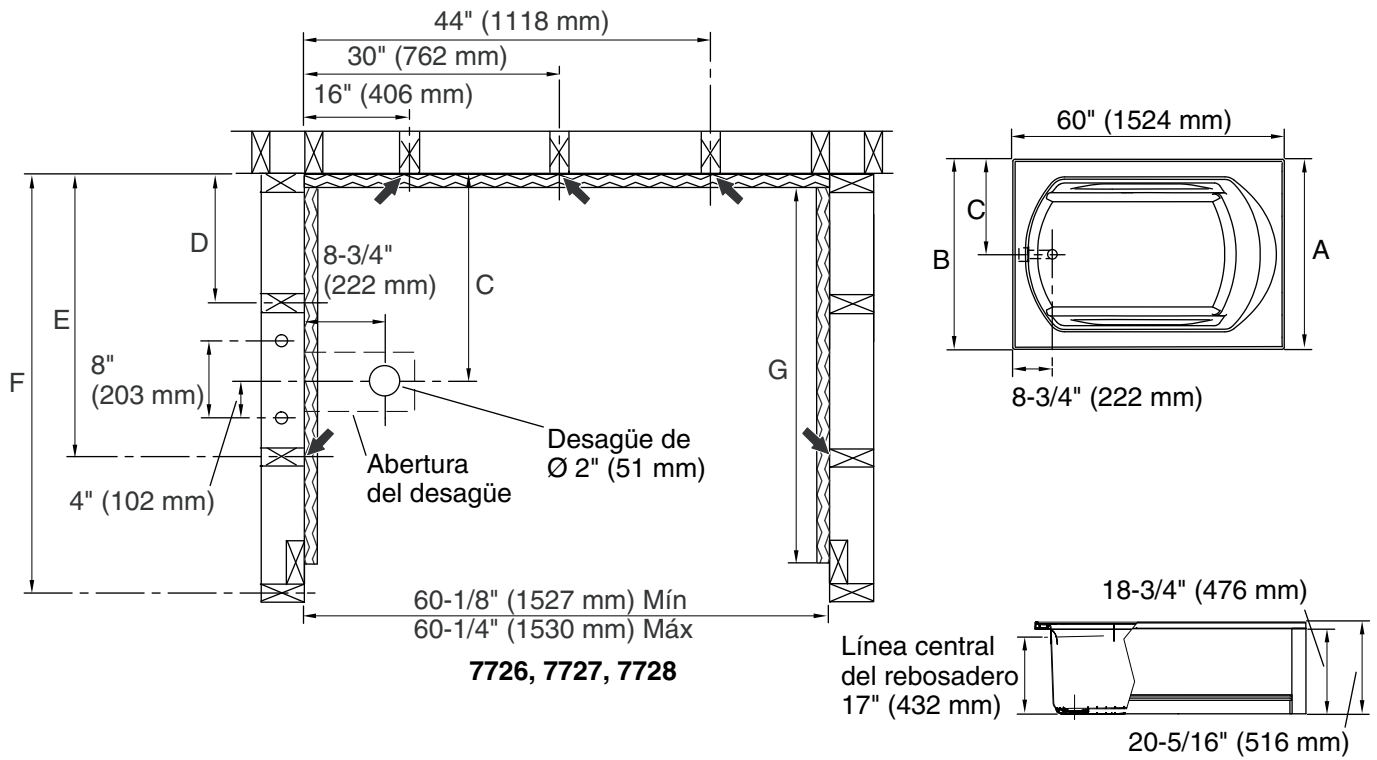
**PRECAUCIÓN: Riesgo de daños a la propiedad.** Utilice sellador 100% de silicona transparente en las áreas donde se requiera cuando se le indique. No utilice sellador o masillas a base de látex. No añada sellador de silicona en ninguna otra área. El uso del tipo incorrecto de sellado o la aplicación incorrecta del sellador puede atrapar humedad, y producir fugas o moho durante la vida del producto.



**AVISO: Riesgo de daños al producto.** No levante la bañera por los tubos o el soplador. No utilice los tubos ni el soplador como soporte estructural de la bañera. Levante la bañera sujetando el borde en múltiples puntos.

**AVISO: Riesgo de daños al producto.** No instale la bañera sobre vigas expuestas en el suelo. El área del fondo no requiere ningún soporte adicional siempre que el subpiso esté nivelado y a escuadra con la estructura de postes. Instale la bañera en un subpiso nivelado y con suficiente soporte. Se requiere instalar cuñas si el subpiso no está a nivel.

**AVISO: Riesgo de daños al producto.** Seleccione tornillos de cabeza plana no cónica que sean galvanizados o enchapados, y consulte los códigos locales de construcción para el tipo requerido de revestimiento. El revestimiento de los tornillos evitará que ocurran marcas de oxidación en el producto.

- Cumpla con todos los códigos pertinentes de plomería, eléctricos y de construcción.
- Esta bañera de sobreponer está diseñada para instalaciones empotradas, en isla o entre tres paredes con un faldón.
- Para esta instalación no se recomiendan accesorios que requieran refuerzo o soporte.
- No desinstale la bañera vieja sin haber antes desembalado y revisado la unidad nueva.
- Para instalaciones de remodelación: (1) Mida la estructura de postes de madera existente antes de desinstalar la bañera existente para asegurarse que la bañera nueva quedará bien en la estructura de postes existente. (2) Verifique que la salida del desagüe y la línea del desagüe estén en el lugar correcto. (3) No retire la bañera existente hasta no haber desembalado e inspeccionado la bañera nueva para cerciorarse que no esté dañada ni falten piezas. Informe inmediatamente acerca de cualquier daño o pieza que falte.
- Confirme que el espacio de montaje y conexión sea adecuado para la instalación del suministro de agua y desagüe.
- Mantenga el protector (provisto) en su lugar hasta haber terminado la construcción.
- En caso de problemas de instalación o funcionamiento, no dude en comunicarse con Sterling al 1-888-STERLING desde los EE.UU. o al 001-877-680-1310 desde México.
- Sterling se reserva el derecho de modificar el diseño de productos sin previo aviso, tal como se especifica en la lista de precios.



-  Lugar de instalación del larguero
-  Lugar recomendado para el clip de sujeción o clavo de techar (5 en total)

### Diagrama de instalación

	A	B	C	D	E	F	G
7726	32" (813 mm)	32-1/4" (819 mm)	16" (406 mm)	10" (254 mm)	22" (559 mm)	31-1/4" (794 mm)	30-1/4" (768 mm)

**Diagrama de instalación (cont.)**

7727	36" (914 mm)	36-1/4" (921 mm)	18" (457 mm)	12" (305 mm)	24" (610 mm)	35-1/4" (895 mm)	34-1/4" (870 mm)
7728	42" (1067 mm)	42-1/4" (1073 mm)	21" (533 mm)	15" (381 mm)	27" (686 mm)	41-1/4" (1048 mm)	40-1/4" (1022 mm)
7730	36" (914 mm)	N/A	18" (457 mm)	12" (305 mm)	24" (610 mm)	35-1/4" (895 mm)	34-1/4" (870 mm)
7731	42" (1067 mm)	N/A	21" (533 mm)	15" (381 mm)	27" (686 mm)	41-1/4" (1048 mm)	40-1/4" (1022 mm)

**1. Prepare el sitio**

**AVISO:** Todas las dimensiones que se muestran en la sección "Diagrama de instalación" son nominales. La tolerancia para la abertura entre los postes es de +1/8" (3 mm)/-0. Mida con cuidado el producto antes de determinar las dimensiones del encajonado. Quizás sea necesario colocar cuñas entre la estructura de postes de madera y la unidad. Si se requiere una pared resistente al fuego, las dimensiones del diagrama de instalación deberán aumentar según el grosor del material resistente al fuego. Las dimensiones de abertura entre los postes se deben medir por el lado expuesto del material de la pared. Las dimensiones del diagrama de instalación son cruciales para una correcta instalación. Construya la estructura y coloque las tuberías con precisión.

**Plomería**

- Instale la línea del desagüe según las instrucciones del fabricante del desagüe. Coloque la línea de desagüe y la trampa utilizando las dimensiones provistas en la sección "Diagrama de instalación".

**Construcción del subpiso**

**AVISO:** La bañera debe estar a nivel y apoyada sobre sus patas. Por lo tanto, es muy importante la construcción de un subpiso que esté a nivel y pueda soportar la carga de peso de la bañera.

El soporte de piso debajo de la bañera modelo:	7726	Debe soportar una carga mínima de:	40 libras/pie cuadrado (197 kg/metro cuadrado).
	7727		40 libras/pie cuadrado (193 kg/metro cuadrado).
	7728		39 libras/pie cuadrado (188 kg/metro cuadrado).
	7730		41 libras/pie cuadrado (200 kg/metro cuadrado).
	7731		41 libras/pie cuadrado (200 kg/metro cuadrado).

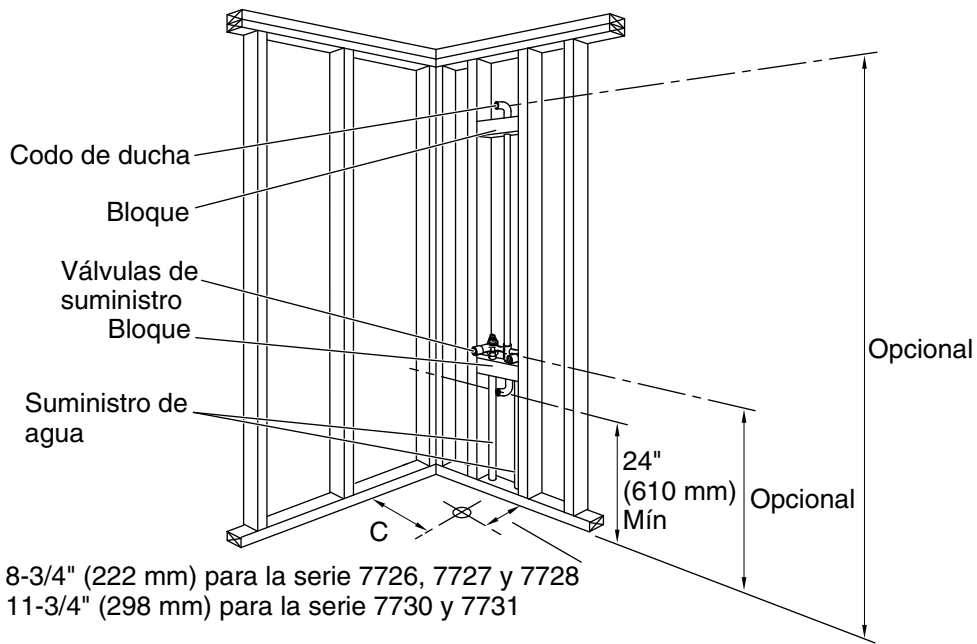
- Construya un subpiso a nivel de madera contrachapada. Si utiliza otro material diferente a la madera contrachapada, con el tiempo la fricción podría causar rechinidos.
- Verifique que el subpiso esté a nivel. Si el subpiso no está a nivel, instale una capa de cemento mortero (se recomienda) para nivelar el subpiso. Consulte la sección "Instale una capa de cemento o mortero".

**NOTA:** Si el subpiso no está a nivel y no instalará una capa de cemento mortero, en la sección "Prepare la bañera" se le indicará que coloque un protector de fieltro en el subpiso y que agregue cuñas debajo de la bañera para lograr el nivel.

**Consideraciones de la estructura de postes de madera**

### **Prepare el sitio (cont.)**

- Planee la ubicación de la bañera de manera que haya espacio para (1) el desagüe a través de las vigas del piso o losa y (2) la instalación práctica de la plomería.
- Provea el acceso a todas las conexiones de plomería para facilitar el mantenimiento futuro. Provea acceso en la parte posterior de la pared que lleva las conexiones de plomería, siempre que sea posible.
- Si va a instalar una puerta de ducha, consulte las instrucciones de instalación del fabricante de la puerta de ducha para toda consideración especial de la estructura, tales como postes dobles de madera en las esquinas frontales del encajonado de madera.

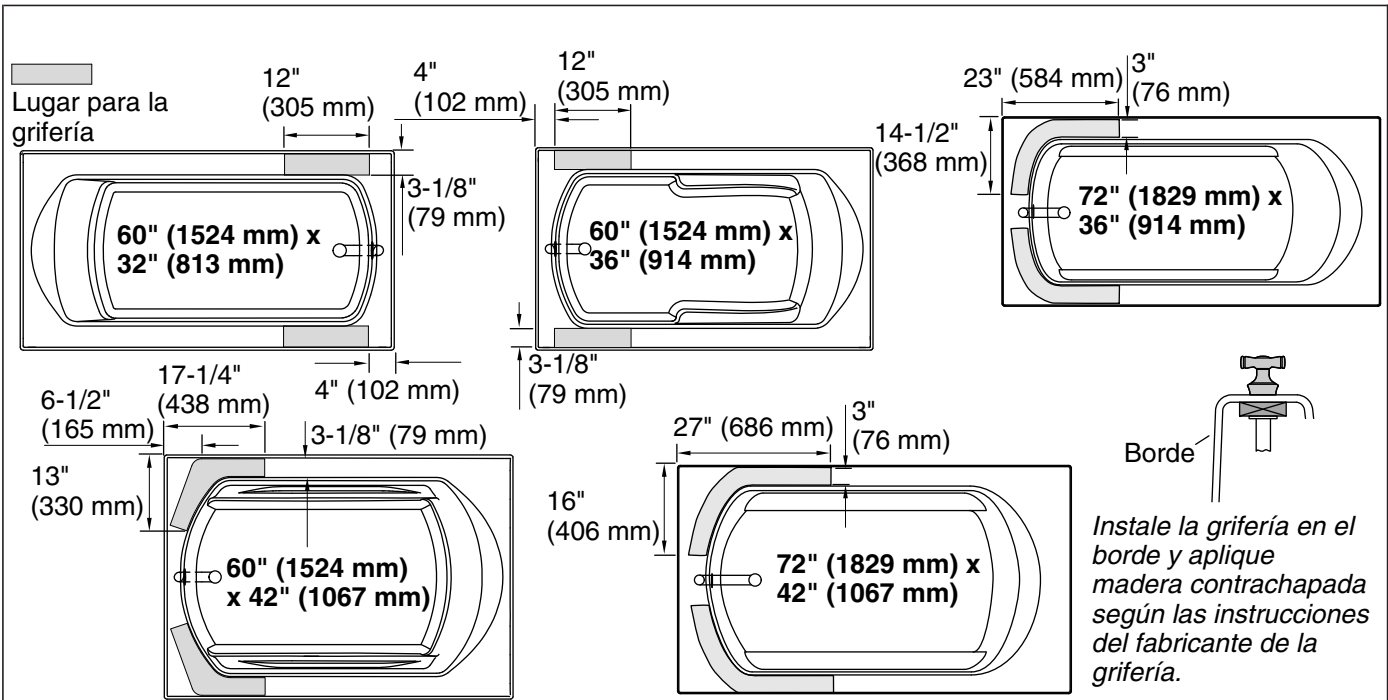


## 2. Instale las tuberías - Instalaciones entre tres paredes

	C
7726	16" (406 mm)
7727	18" (457 mm)
7728	21" (533 mm)
7730	18" (457 mm)
7731	21" (533 mm)

**NOTA:** Si las tuberías se van a instalar en la pared de postes no acabada, instale los suministros **después** de instalar la bañera.

- Coloque las tuberías según el diagrama de instalación. Tape los suministros y verifique que no haya fugas.
- Para instalaciones de desagüe arriba del nivel del piso:** Haga el orificio para la tubería de desagüe en el piso. **Para instalaciones de desagüe a través del piso:** Haga el orificio en el piso para el montaje del desagüe. La conexión de desagüe debe hacerse directamente bajo el rebosadero de desagüe. Deje espacio para conectar las tuberías.
- Instale los suministros de agua según las instrucciones del fabricante de la grifería. Tape los suministros y verifique que no haya fugas.
- Con una abrazadera para tubo, sujete las conexiones del suministro de agua a la estructura de postes de madera.
- Instale las válvulas de la ducha según las instrucciones del fabricante. No instale la guarnición en este momento.



### 3. Instale las tuberías - Instalaciones de sobreponer

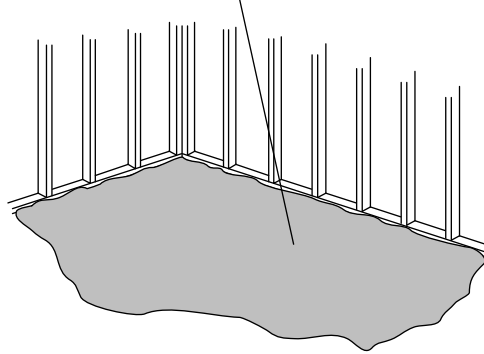


**PRECAUCIÓN: Riesgo de lesiones personales.** Para este producto no seleccione una grifería grande de montaje en el borde ni de montaje en cubierta. Estas griferías pueden utilizarse accidentalmente como medio de soporte y no son apropiadas ni seguras para esta instalación. Seleccione una grifería de montaje a la pared o una grifería alternativa de montaje en cubierta.

**NOTA:** No instale la guarnición en este momento.

- Antes de instalar una grifería de montaje en el borde o cubierta, mida y corte un trozo de madera contrachapada para exteriores de 3/4" para que actúe como soporte debajo del borde de la bañera. Corte un trozo de madera contrachapada lo suficientemente grande para soportar los componentes de la grifería y que extienda más allá del área de instalación de la grifería.
- Instale los tubos de suministro de agua en uno de los lugares especificados para la grifería. Para una correcta instalación, consulte las instrucciones del fabricante de la grifería.
- Con una abrazadera para tubo, sujete las líneas de suministro a la estructura de postes de madera.
- Instale las válvulas según las instrucciones del fabricante de la grifería.

*Aplique una capa de 2" (51 mm) de cemento mortero.*



#### 4. Instale una capa de cemento mortero (se recomienda)

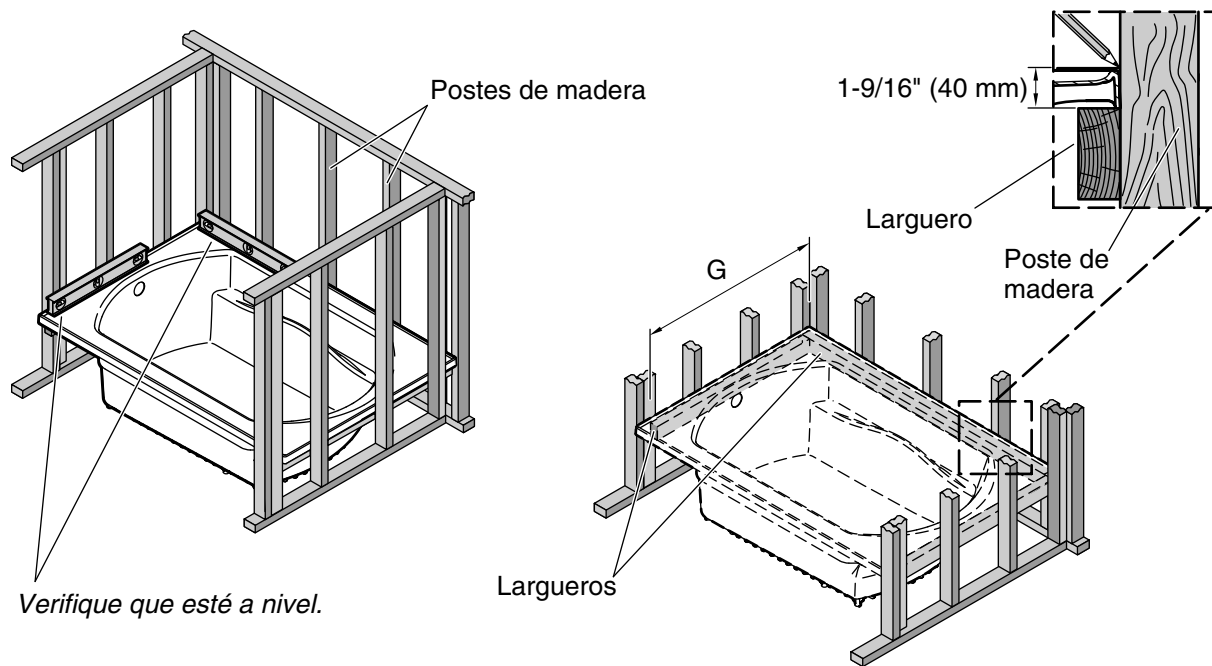
**AVISO:** Para obtener los mejores resultados, recomendamos que instale una capa de cemento mortero en el subpiso. Eso no sólo proveerá un soporte sólido, sino que también eliminará el riesgo de movimiento y ruido durante el uso.

**AVISO:** Sólo utilice cemento mortero de mezcla de arena. No utilice pasta para paneles de yeso, cemento de yeso, pasta para tablaroca, o cemento mortero con piedrecillas para esta aplicación. Estos no son para esta aplicación y/o no proveerán el soporte estructural adecuado.

**NOTA:** Los soportes de la bañera deben descansar directamente sobre el subpiso. La construcción de un subpiso a nivel es muy importante para la correcta instalación.

- Instale el montaje del desagüe y rebosadero en la bañera según las instrucciones del fabricante del desagüe.
- Aplique una capa de 2" (51 mm) de cemento mortero en el subpiso, untando de manera que las áreas de la bañera que harán contacto con el subpiso tengan cemento mortero. **No extienda el cemento mortero alrededor del área del desagüe o donde se instalará el soplador.** Deje lugar para que el cemento mortero se expanda con el peso de la bañera.
- Inmediatamente coloque la bañera en su lugar.
- Verifique que la bañera esté nivelada y apoyada sobre todos los soportes.
- Limpie la bañera para reducir el riesgo de daños a la superficie.



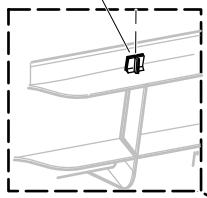


## 5. Prepare la bañera - Instalaciones entre tres paredes

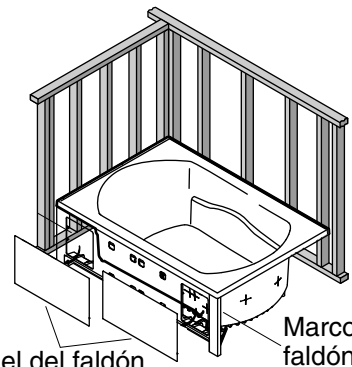
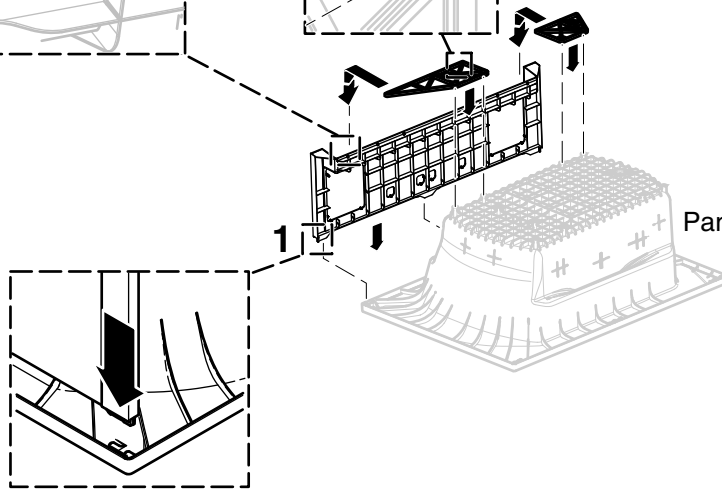
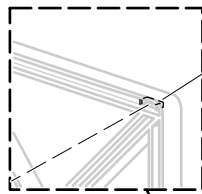
Serie	G
7726	30-1/4" (768 mm)
7727	34-1/4" (870 mm)
7728	40-1/4" (1022 mm)
7730	34-1/4" (870 mm)
7731	40-1/4" (1022 mm)

- Si no instaló la capa de cemento mortero, alinee el orificio para el desagüe del protector de fieltro con el orificio para desagüe del subpiso. Fije el protector de fieltro en su lugar con herrajes (como grapas o clavos).
- Instale el montaje del desagüe y rebosadero en la bañera según las instrucciones del fabricante del desagüe.
- Instale en seco la bañera.
- Verifique que la bañera esté a nivel. Si el subpiso no está a nivel, inserte cuñas debajo de la bañera para ajustar el nivel.
- Marque la altura del reborde de la bañera en cada pared de postes de madera. Coloque la bañera a un lado.
- Mida y marque 1-9/16" (40 mm) hacia abajo desde la primera marca.
- Corte dos largueros de material de 1x4 a la longitud especificada en la dimensión "G." Corte un tercer larguero que quede en el ancho restante de la cavidad de postes de madera.
- Instale los largueros.
- Una vez más, instale en seco la bañera para asegurarse de que la bañera no esté siendo soportada por el borde. Si es necesario, retire los largueros, bájelos un poco y vuelva a instalarlos.
- Retire la bañera.

Lengüeta de alineación

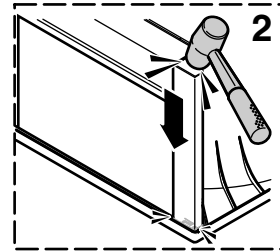


Ranura



Panel del faldón

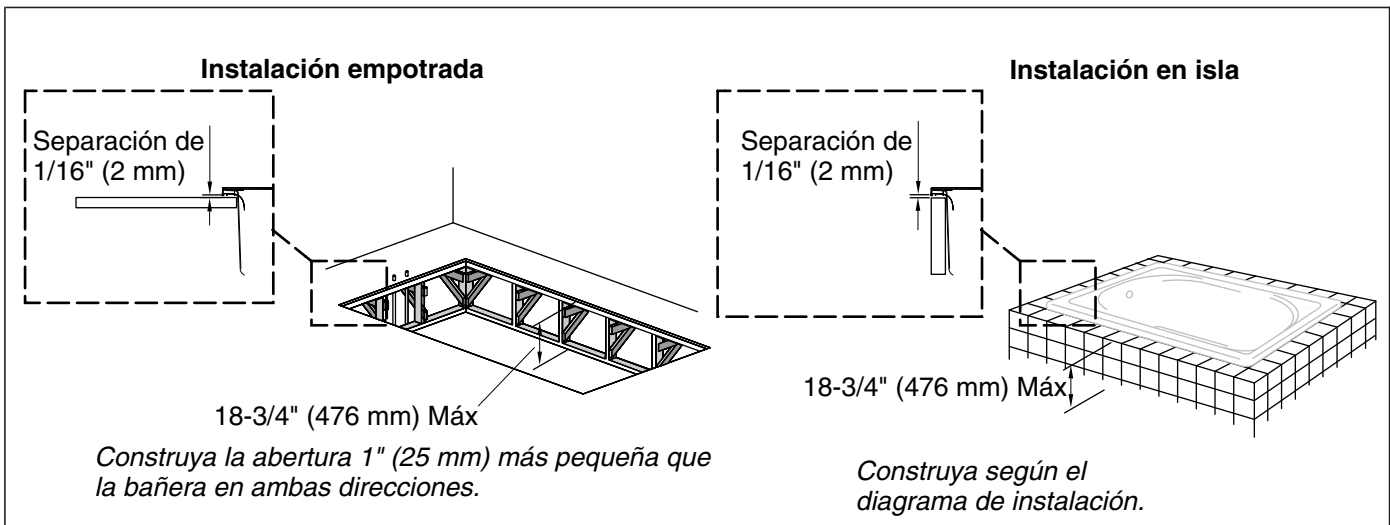
Marco del faldón



## 6. Instale el faldón opcional - Instalaciones entre tres paredes

### Sólo Serie 7726, 7727 y 7728

- Coloque la barra de protección en el piso de manera que la bañera no se raye.
- Voltee la bañera.
- Determine el lado correcto para la instalación.
- Alinee las tres lengüetas de alineación de la estructura del faldón con las ranuras del borde de la bañera (1).
- Presione las lengüetas de alineación en las ranuras del borde de la bañera. Si es necesario, con un mazo de goma golpee suavemente las lengüetas de alineación en su lugar(2).
- Instale los paneles del faldón en la estructura del faldón.



## 7. Prepare la bañera - Instalaciones de sobreponer

**AVISO:** No permita que la cubierta soporte la bañera por el borde. La bañera debe quedar soportada por sus pies.

### Instalación empotrada

**NOTA:** La instalación empotrada requiere una abertura en el piso rodeada de una cubierta por los cuatro lados. Se debe añadir una estructura de postes de madera y un subpiso debajo de la cubierta. La cubierta ubica la bañera mientras que la estructura de postes de madera y el subpiso dan soporte a la bañera.

- Con cuidado coloque y corte el material de cubierta no acabada, dejando el ancho y largo de la abertura 1" (25 mm) más pequeños que la bañera. Consulte el diagrama correspondiente en la sección "Diagrama de instalación".
- Deje espacio para instalar el montaje del desagüe y las tuberías de suministro de agua.
- Construya un panel de acceso 18" (457 mm) x 15" (381 mm) en el extremo de la unidad que lleva el soplador.
- Construya un subpiso a nivel que no quede más abajo de 18-3/4" (476 mm) de la cubierta no acabada.
- Construya una estructura de postes de madera de 2x4 ó 2x6 arriba del subpiso a nivel. La cubierta acabada debe dejar un espacio de 1/16" (2 mm) para el sellador entre la cubierta no acabada y el borde inferior de la bañera.

### Instalación en isla

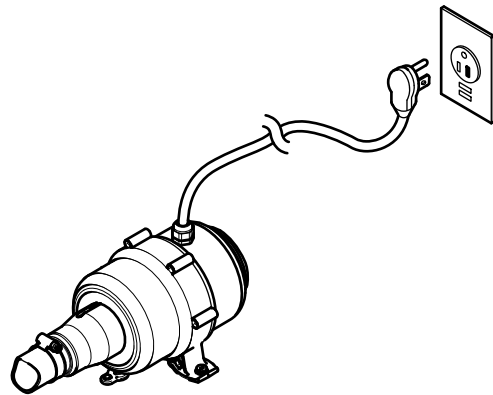
**NOTA:** La instalación en isla requiere un estructura circundante elevada de cuatro lados, generalmente construida de ladrillos o concreto. Las estructura circundante ubica la bañera mientras que el piso soporta la bañera.

- Trace con cuidado la obra de mampostería. Decida si los azulejos de acabado quedarán al ras de la bañera o instalados debajo del borde.
- Deje espacio para instalar el montaje del desagüe y las tuberías de suministro de agua.
- Construya un panel de acceso 18" (457 mm) x 15" (381 mm) en el extremo de la unidad que lleva el soplador.
- Construya un subpiso a nivel que no quede más abajo de 18-3/4" (476 mm) de la isla de mampostería.
- Construya la isla de ladrillos o concreto.
- Añada azulejos u otro material de acabado, dejando un espacio de 1/16" (2 mm) para el sellador entre la isla y el borde de la bañera.

## **Prepare la bañera - Instalaciones de sobreponer (cont.)**

### **Todas las instalaciones de sobreponer**

- Si no se instaló una capa de cemento mortero, coloque un protector (no provisto) con un orificio cortado para el desagüe sobre el subpiso, luego fije el protector de fieltro en su lugar con herrajes (como grapas o clavos).
- Verifique que la bañera esté a nivel. Si la bañera no está a nivel, inserte cuñas debajo de la bañera para ajustar el nivel.



Tomacorriente conectado a tierra, de 120 V y 15 A, protegido con un interruptor GFCI

## 8. Instale el tomacorriente

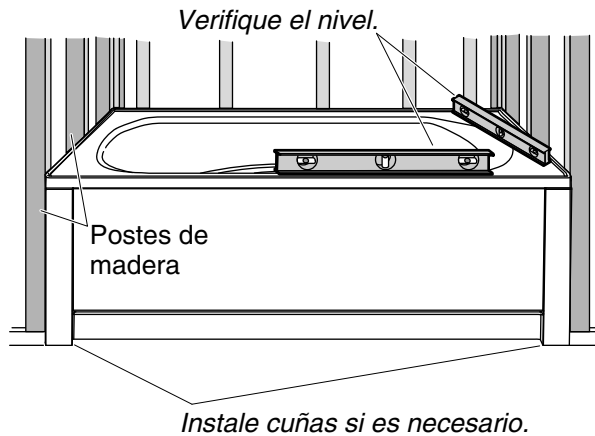


**PRECAUCIÓN: Riesgo de lesiones personales.** No encienda la unidad hasta que se le indique.

**NOTA:** La bañera está equipada de un cable y un enchufe. Todo el cableado del soplador y el control se ha realizado en fábrica.

**NOTA:** Consulte la etiqueta cerca del soplador. Esta etiqueta identifica la capacidad nominal eléctrica y el número de modelo de la bañera.

- Instale un tomacorriente con conexión a tierra, de 120 V, 15 A y protegido con un interruptor GFCI por detrás de la bañera y dentro de 24" (610 mm) del lugar de instalación del soplador. Este circuito no debe tener ninguna otra carga.
- Instale un conductor de puesta a tierra (conexión a tierra) en el lugar de instalación del soplador según los códigos locales pertinentes.



## 9. Coloque la bañera

### Instalaciones encajonadas entre tres paredes

**PRECAUCIÓN: Riesgo de daños al producto.** No levante ni mueva la bañera sosteniéndola por el faldón ni los refuerzos del faldón. Verifique que los refuerzos del faldón estén fijos antes de instalar la bañera, luego levante la bañera por el borde en varios puntos.

**NOTA:** 6 Los modelos de bañera de 6' (1,8 m) requieren de la construcción de un faldón para instalaciones encajonadas entre tres paredes.

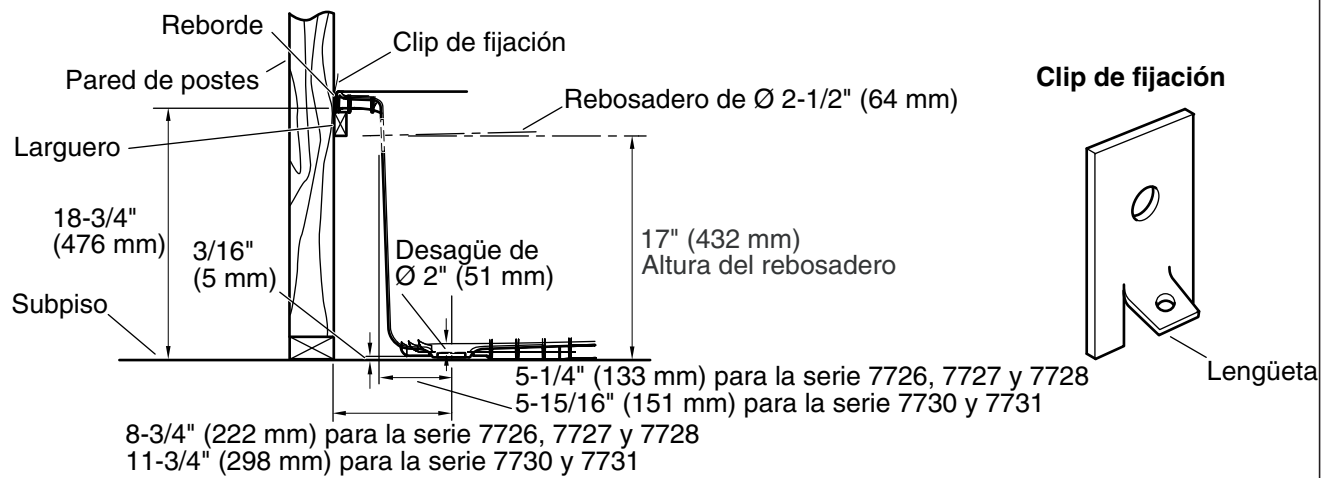
- Verifique que la bañera esté a nivel.
- Con los refuerzos del faldón instalados, levante la bañera en su lugar. Coloque la bañera de manera que el filo exterior quede al ras con la estructura de postes de madera.

### Instalaciones de sobreponer (no se muestra)

- Con el montaje del desagüe y el rebosadero instalados en la bañera, levante la bañera en el empotrado o isla.
- Asegúrese de que la bañera esté a nivel y que haya una separación de 1/16" (2 mm) entre la cubierta no acabada o isla y el borde de la bañera.

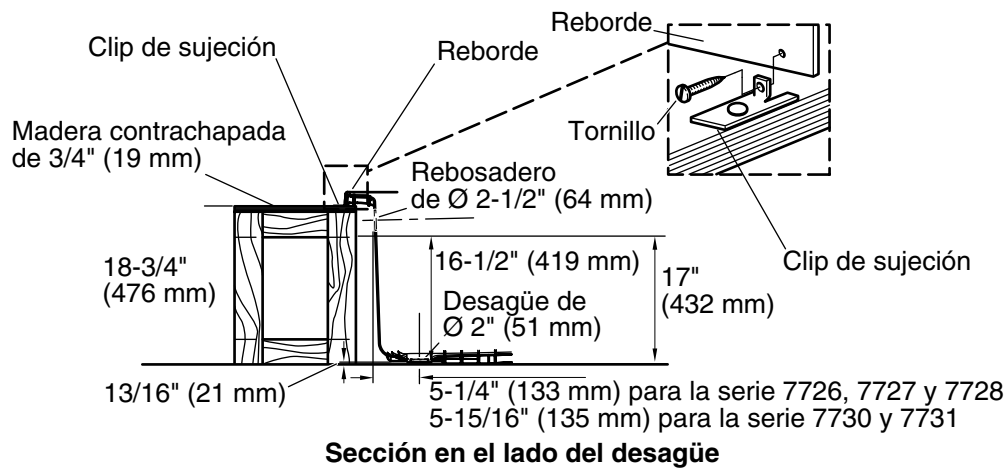
**NOTA: Para ajustar el nivel:** Retire la bañera. Coloque cuñas debajo de los pies de la bañera. Coloque la bañera en el empotrado o isla y vuelva a verificar que esté nivelada. Repita este procedimiento hasta que la bañera esté nivelada.

**NOTA:** La distancia máxima entre los pies acuñados es 22" (559 mm).



## 10. Coloque la bañera - Instalaciones entre tres paredes

- Consulte la sección "Diagrama de instalación" para obtener los lugares recomendados para los clips.
- Verifique que los postes de madera estén dentro de 1/8" (3 mm) de la bañera en los lugares recomendados para los clips. Utilice cuñas si es necesario.
- Deslice la parte inferior de cada clip de sujeción en el espacio entre el reborde de la bañera y el poste de madera hasta que la lengüeta toque la bañera.
- Fije los clips de sujeción con tornillos de cabeza plana galvanizados o enchapados.



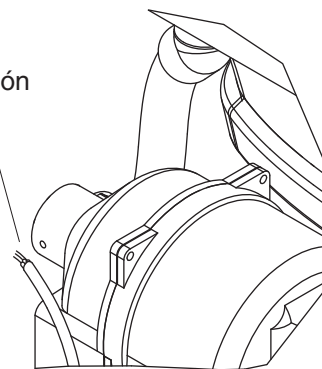
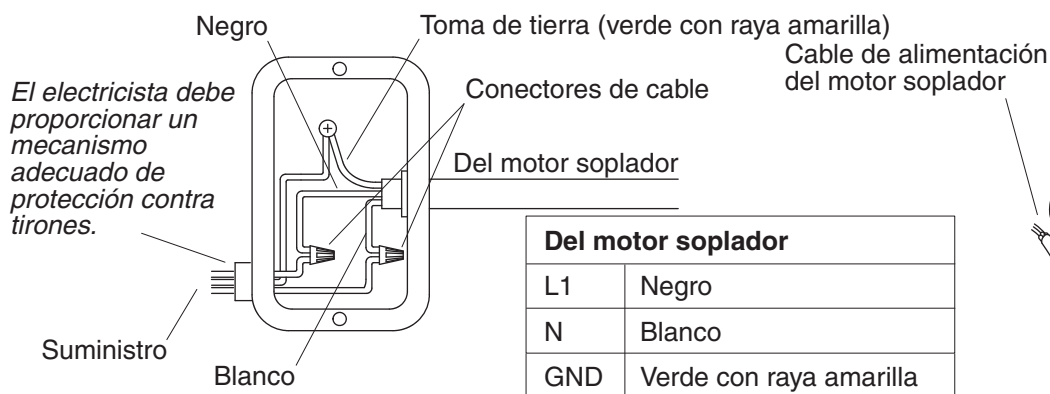
## 11. Fije la bañera - Sobreponer

- Verifique que los postes de madera estén dentro de 1/8" (3 mm) de la bañera en los lugares recomendados para los clips o tornillos. Utilice cuñas si es necesario.
- Coloque el labio inferior del clip de sujeción debajo del filo de la bañera y coloque la lengüeta contra el reborde de la bañera.
- Taladre orificios guía a través del reborde en los lugares para los clips de sujeción con el fin de evitar fisurar el reborde al instalar los herrajes.
- Deslice la clip de sujeción en su lugar entre el centro del poste y la bañera.
- Fije los clips de sujeción con tornillos de cabeza plana no cónica galvanizados o enchapados.



El cableado de la caja de empalmes debe realizarse como se ilustra.

Conecte conforme a los códigos nacionales y locales.



## 12. Haga las conexiones eléctricas - Modelos con circuitos dedicados



**ADVERTENCIA: Riesgo de descarga eléctrica.** Para reducir el riesgo de descarga eléctrica, conecte el soplador a un interruptor de circuito con pérdida a tierra (GFCI) correctamente instalado. Esto servirá de protección adicional contra el peligro de descarga eléctrica de línea a tierra. Se requiere un circuito dedicado de 120 V, 15 A.

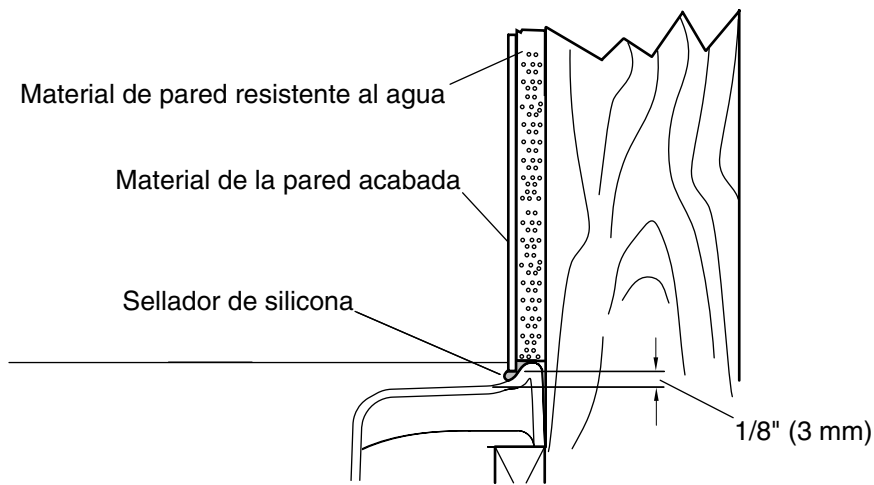


**ADVERTENCIA: Riesgo de descarga eléctrica.** Asegúrese de desconectar la corriente eléctrica antes de realizar el siguiente procedimiento.

- Coloque la caja de empalmes provista a 1-1/2" (38 mm) sobre el subpiso.
- El cableado del sistema y los controles del soplador se ha realizado en fábrica. Un electricista calificado debe realizar las conexiones eléctricas a la caja de empalmes.
- Conecte el cable de servicio eléctrico a la caja de empalmes. La caja de empalmes de 60 Hz contiene cables negros y blancos y una lengüeta de conexión a tierra.
- Se requiere un circuito dedicado de 120 V, 15 A. Provea un interruptor de circuito con pérdida a tierra (GFCI) de Clase A.
- Provea conductor a tierra distinto para la lengüeta de conexión a tierra. El conductor **debe** estar conectado a ningún conductor que porte corriente.
- Conecte conforme a los códigos nacionales y locales.

## 13. Instale el desagüe

- Conecte el desagüe a la trampa según las instrucciones del fabricante.
- Revise que no haya fugas en las conexiones de desagüe.



## 14. Termine la pared acabada

### Instalaciones encajonadas entre tres paredes

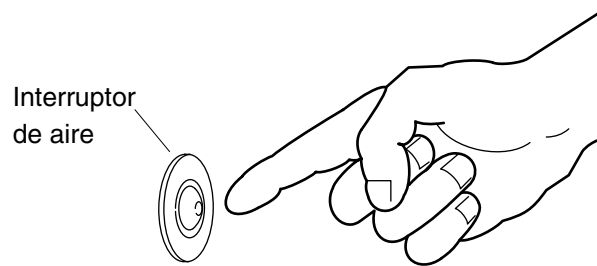
- Cepille el polvo y la suciedad del reborde de la bañera.
- Instale el material de la pared acabada sobre el material de pared resistente al agua. Mantenga una separación de 1/8" (3 mm) entre el material de la pared acabada y la superficie de la bañera.
- Utilice sellador 100% de silicona para sellar la separación de 1/8" (3 mm) entre la superficie de la bañera y la pared acabada. Deje que el sellador se seque según las instrucciones del fabricante del sellador.

### Instalaciones de sobreponer - Material impermeable

- Cubra la estructura con un material de cubierta/pared resistente al agua. Aplique el material de la pared sobre el reborde de la bañera, dejando una separación de 1/16" (2 mm) entre el filo del borde de la bañera y el material de la pared. Esta separación ayuda a reducir la posibilidad de que el agua se filtre hacia el material de la pared.
- Utilizando sellador 100% de silicona, selle las juntas entre el filo del borde de la bañera y material impermeable de pared o cubierta.
- Aplique cinta y yeso al material resistente al agua de la pared/cubierta.
- Instale la pared acabada sobre el material resistente al agua de la pared/cubierta. Utilizando sellador 100% de silicona, selle las juntas entre el filo del borde de la bañera y material acabado.

### Instalaciones de sobreponer - Azulejo

- Instale el azulejo en las paredes circundantes, según se desee.
- Aplique una tira de sellador 100% de silicona en los lugares donde el azulejo entra en contacto con la superficie de la bañera.



## 15. Confirme el funcionamiento correcto

### Verificación de la instalación

- Verifique todas las conexiones eléctricas.
- Active la energía eléctrica al tomacorrientes GFCI para el soplador.
- Verifique que el tubo del interruptor de aire esté conectado al soplador.

### Secuencia de funcionamiento

- Cierre el desagüe y llene la bañera por lo menos 2"(51 mm) arriba de los jets de aire.
- Oprima el interruptor de aire para activar los jets de aire. Fluirá aire a la velocidad más alta.
- Verifique que se encienda el soplador y que funcione sin ruido o vibración excesivos.
- Verifique que fluya aire de cada jet de aire.
- Oprima dos veces el interruptor de aire, ciclando a través de las velocidades media y baja.
- Oprima el interruptor de aire otra vez para apagar el soplador. Verifique que el soplador se detenga.
- Drene la bañera.

USA: 1-800-STERLING  
(1-800-783-7546)

México: 001-877-680-1310

[SterlingPlumbing.com](http://SterlingPlumbing.com)

**STERLING**  
A KOHLER COMPANY

©2012 Kohler Co.

1139487-2-H