

## Sensorflo<sup>®</sup> Battery Powered Lavatory Faucet

### MODELS:

- ❑ S-8700-CA-E: Single basin low profile faucet.
- ❑ S-8701-CA-E: Single basin low profile faucet, under counter mechanical mixer with built-in backflow check valves.
- ❑ S-8710-CA-E: Low profile faucet with 4 in. deck plate.
- ❑ S-8711-CA-E: Low profile faucet with 4 in. deck plate, under counter mechanical mixer with built-in backflow check valves.
- ❑ S-8720-CA-E: Low profile faucet with 8 in. deck plate.
- ❑ S-8721-CA-E: Low profile faucet with 8 in. deck plate, under counter mechanical mixer with built-in backflow check valves.

### FEATURES:

- Solenoid with built-in filter.
- Two 3-volt DC lithium batteries with waterproof connectors housed above-counter in spout.
- Spout consists of all metal chassis and removable cover.
- Low battery warning light.
- Vandal-resistant 60-second time out feature.
- Lead-free construction
- Water conserving vandal-resistant flow control reduces flow to 0.5 gpm (1.89 L/min).
- NOTE: Stainless steel flexible supply hoses, 3/8 in. compression, to supply stops not included, see add-ons below.

### COMPLIANCE:

- ASME A112.18.1/CSA B125.1 certified
- NSF 61 certified
- NSF 372 certified

### FINISH:



PC

### ADD-ONS:

- 0.5 gpm Boca spray outlet & 1.5 gpm laminar flow outlet kit
  - Two (2) stainless steel flexible supply hoses to supply stops
  - Tee with integral check valves
  - Under counter thermostatic mixing valve (S-8700, S-8710, & S-8720 only)
  - Vandal-resistant screws for removable cover and custom wrench
  - 1.2 gpm laminar flow outlet
  - 1.2 gpm aerator
  - One (1) stainless steel flexible supply hose to supply stop
- ❑ A-BOLF
  - ❑ A-HS
  - ❑ A-TEE
  - ❑ A-TMV
  - ❑ A-VRS
  - ❑ A-ELF
  - ❑ A-EA12
  - ❑ A-HTS

### WARRANTY:

- 5 Year Limited

S-8700-CA-E  
S-8701-CA-E



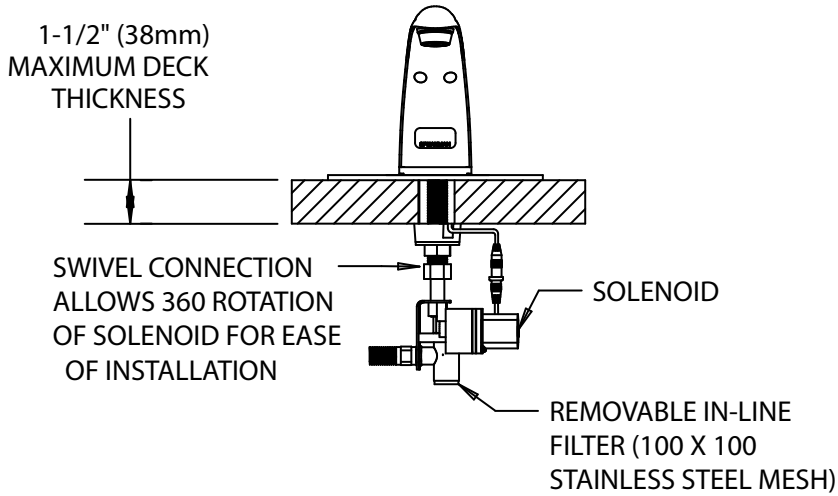
S-8710-CA-E  
S-8711-CA-E



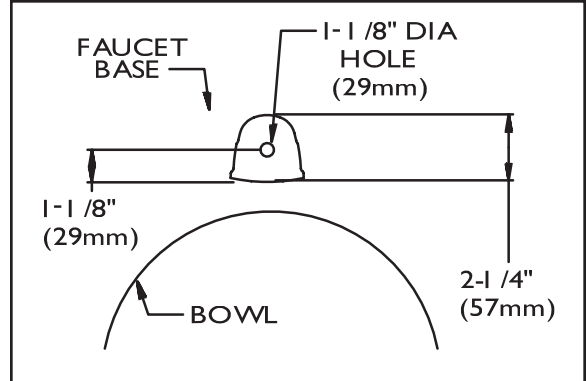
S-8720-CA-E  
S-8721-CA-E



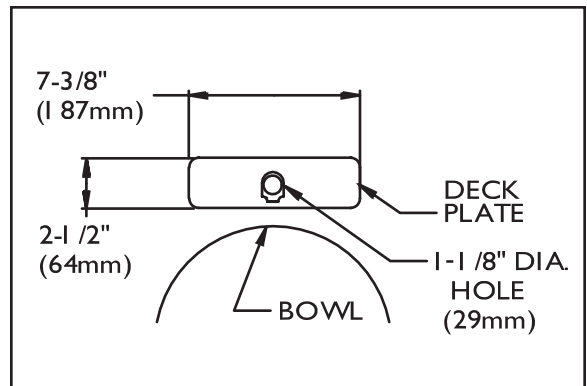
**DIMENSIONS:** NOTE: 1. All dimensions are in inches (millimeters) unless otherwise specified and are subject to change without notice.  
 2. Inlet is 3/8" compression with male threads. Position faucet as close to the edge of the sink as possible.



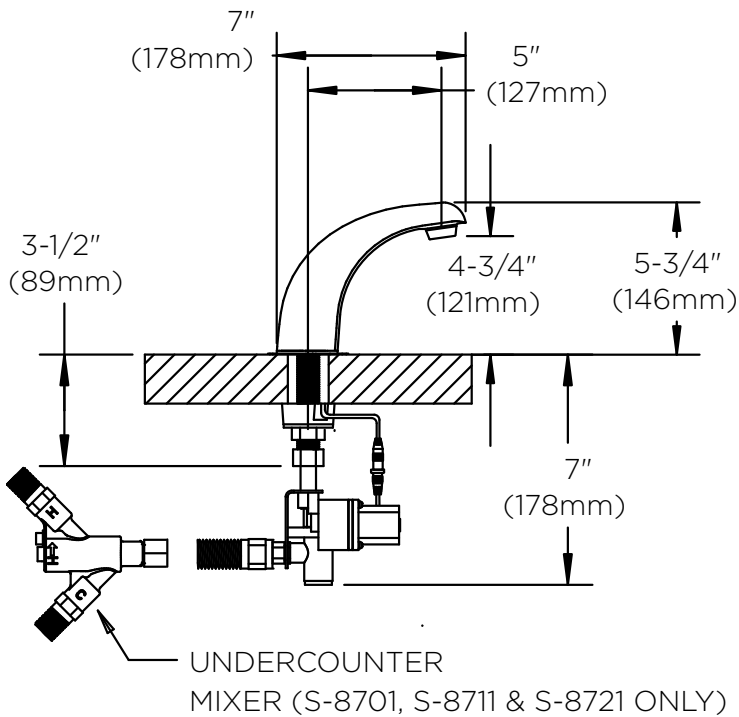
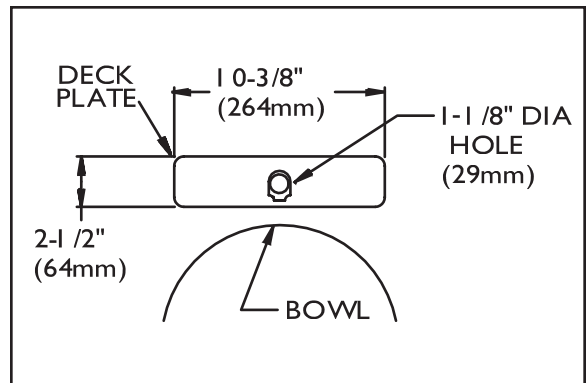
S-8700-CA-E  
S-8701-CA-E



S-8710-CA-E  
S-8711-CA-E



S-8720-CA-E  
S-8721-CA-E



# SPEAKMAN® S-8712-CA-E S-8722-CA-E

## Sensorflo® Battery Powered Lavatory Faucet

### MODELS:

- ❑ S-8712-CA-E: Low profile faucet with 4 in. deck plate.
- ❑ S-8722-CA-E: Low profile faucet with 8 in. deck plate.

### FEATURES:

- Above counter hot/cold mixer with built-in check valves and adjustable temperature limit stop.
- Solenoid with built-in filter.
- Includes hose needed to make mixer connection.
- Two 3-volt DC lithium batteries with waterproof connectors housed above-counter in spout.
- Spout consists of all metal chassis and removable cover.
- Low battery warning light.
- Vandal-resistant 60-second time out feature.
- Lead-free construction.
- Water conserving vandal-resistant flow control reduces flow to 0.5 gpm (1.89 L/min).
- NOTE: Stainless steel flexible supply hoses, 3/8 in. compression, to supply stops not included, see add-ons below.

### COMPLIANCE:

- ASME A112.18.1/CSA B125.1 certified
- NSF 61 certified
- NSF 372 certified

### FINISH:



PC

### ADD-ONS:

- 0.5 gpm Boca spray outlet & 1.5 gpm laminar flow outlet kit
  - Two (2) stainless steel flexible supply hoses to supply stops
  - Tee with integral check valves
  - Under counter thermostatic mixing valve (S-8700, S-8710, & S-8720 only)
  - Vandal-resistant screws for removable cover and custom wrench
  - 1.2 gpm laminar flow outlet
  - 1.2 gpm aerator
- ❑ A-BOLF
  - ❑ A-HS
  - ❑ A-TEE
  - ❑ A-TMV
  - ❑ A-VRS
  - ❑ A-ELF
  - ❑ A-EA12

### WARRANTY:

- 5 Year Limited

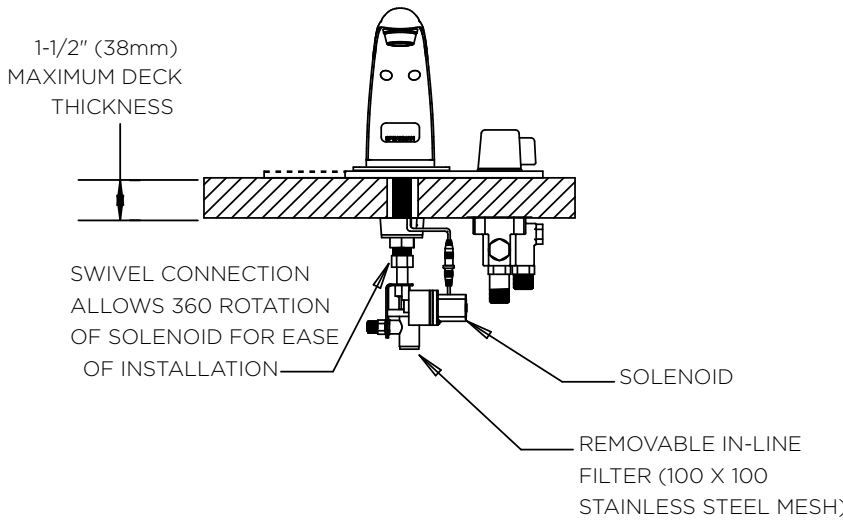
S-8712-CA-E



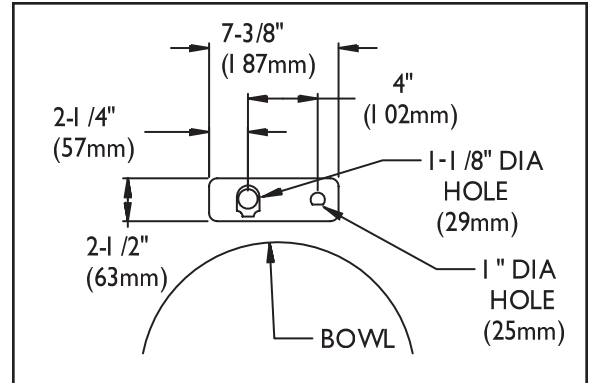
S-8722-CA-E



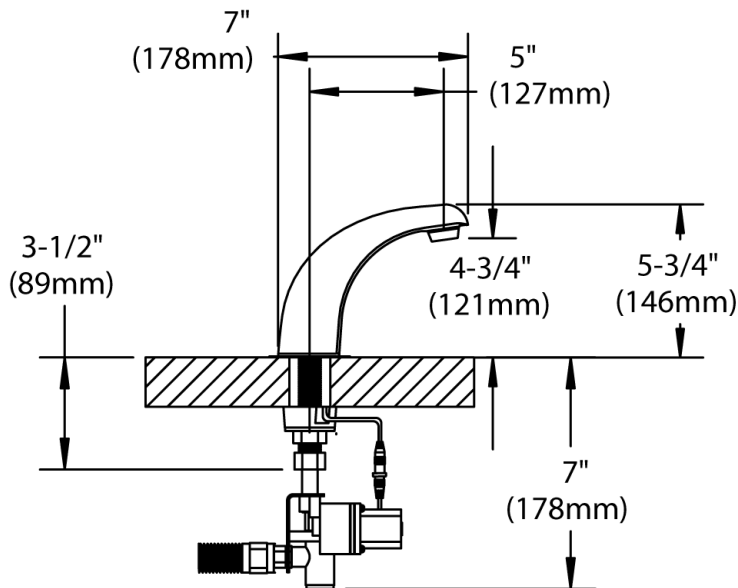
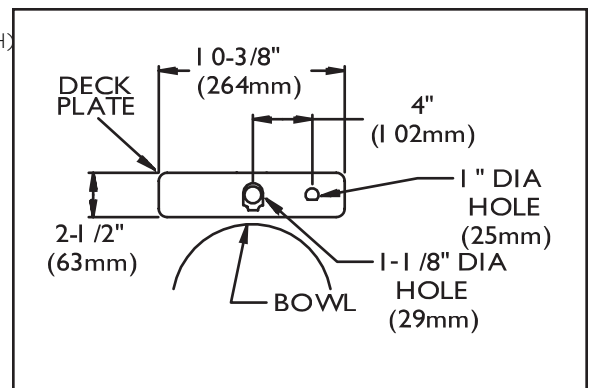
**DIMENSIONS:** NOTE: 1. All dimensions are in inches (millimeters) unless otherwise specified and are subject to change without notice.  
 2. Inlet is 3/8" compression with male threads. Position faucet as close to the edge of the sink as possible.



S-8712-CA-E



S-8722-CA-E



## Sensorflo® Battery Powered Lavatory Faucet

### MODELS:

- ❑ S-8717-CA-E: Low profile faucet with 4 in. deck plate.
- ❑ S-8718-CA-E: Low profile faucet with 4 in. deck plate, under counter mechanical mixer with built-in backflow check valves.
- ❑ S-8727-CA-E: Low profile faucet with 8 in. deck plate.
- ❑ S-8728-CA-E: Low profile faucet with 8 in. deck plate, under counter mechanical mixer with built-in backflow check valves.

### FEATURES:

- Ceramic manual override valve activates the faucet for continuous operation in the event of battery drain or user preference.
- Solenoid with built-in filter.
- Includes hoses needed to make manual override connections.
- Two 3-volt DC lithium batteries with waterproof connectors housed above-counter in spout.
- Spout consists of all metal chassis and removable cover.
- Low battery warning light.
- Vandal resistant 60-second time out feature.
- Lead-free construction.
- Water conserving vandal-resistant flow control reduces flow to 0.5 gpm (1.89 L/min).
- NOTE: Stainless steel flexible supply hose(s), 3/8 in. compression, to supply stop(s) not included, see add-ons below.

S-8717-CA-E  
S-8718-CA-E



S-8727-CA-E  
S-8728-CA-E



### COMPLIANCE:

- ASME A112.18.1/CSA B125.1 certified
- NSF 61 certified
- NSF 372 certified



### FINISH:



PC

### ADD-ONS:

- 0.5 gpm Boca spray outlet & 1.5 gpm laminar flow outlet kit  A-BOLF
- Two (2) stainless steel flexible supply hoses to supply stops  A-HS
- One (1) stainless steel hose for tempered water systems (S-8717, S-8727 only)  A-HTS
- Tee with integral check valves  A-TEE
- Under counter thermostatic mixing valve (S-8717, S-8727 only)  A-TMV
- Vandal-resistant screws for removable cover and custom wrench  A-VRS
- 1.2 gpm laminar flow outlet  A-ELF
- 1.2 gpm aerator  A-EA12

### WARRANTY:

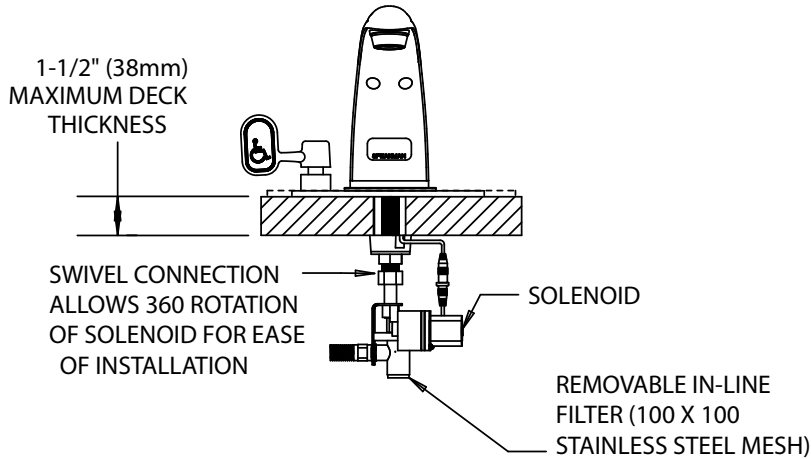
- 5 Year Limited

Architect/Engineer Approval Space:

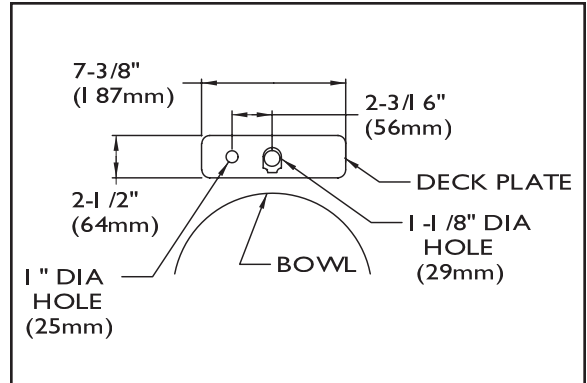
SPEAKMAN  
400 ANCHOR MILL ROAD  
NEW CASTLE, DE 19720

P: 800-537-2107  
F: 800-977-2747  
W: WWW.SPEAKMAN.COM  
R: OCTOBER 2017

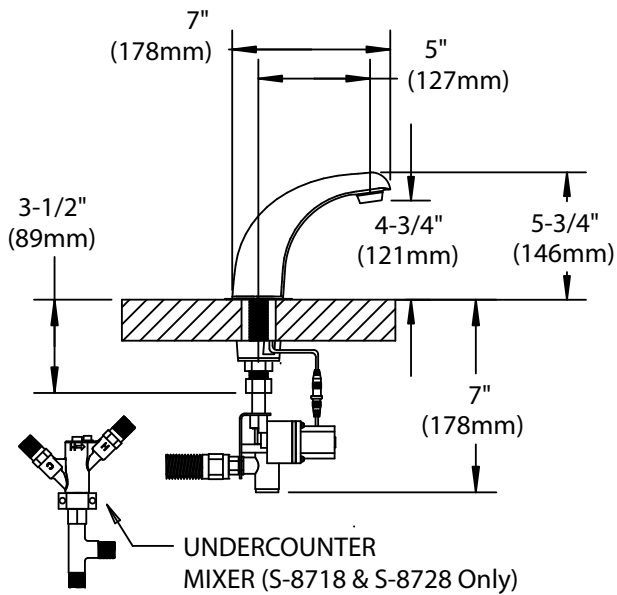
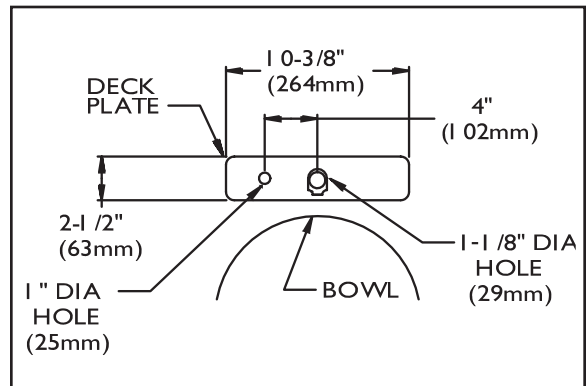
**DIMENSIONS:** NOTE: 1. All dimensions are in inches (millimeters) unless otherwise specified and are subject to change without notice.  
 2. Inlet is 3/8" compression with male threads. Position faucet as close to the edge of the sink as possible.



S-8717-CA-E  
S-8718-CA-E



S-8727-CA-E  
S-8728-CA-E



# SPEAKMAN® S-8729-CA-E

## Sensorflo® Battery Powered Lavatory Faucet

### FEATURES:

- Above counter hot/cold mixer with built-in check valves and temperature limit stop.
- Ceramic manual override valve activates the faucet for continuous operation in the event of battery drain or user preference.
- Solenoid with built-in filter.
- Includes hoses needed to make mixer and manual override connections.
- Includes 8 in. deck plate.
- Two 3-volt DC lithium batteries with waterproof connectors housed above counter in spout.
- Spout consists of all metal chassis and removable cover.
- Low battery warning light.
- Vandal resistant 60-second time out feature.
- Lead-free construction.
- Water conserving vandal-resistant flow control reduces flow to 0.5 gpm (1.89 L/min).
- NOTE: Stainless steel flexible supply hoses, 3/8 in. compression, to supply stops not included, see add-ons below.



### COMPLIANCE:

- ASME A112.18.1/CSA B125.1 certified
- NSF 61 certified
- NSF 372 certified

### FINISH:



PC

### ADD-ONS:

- 0.5 gpm Boca spray outlet & 1.5 gpm laminar flow outlet kit  A-BOLF
- Two (2) stainless steel flexible supply hoses to supply stops  A-HS
- Tee with integral check valves  A-TEE
- Under counter thermostatic mixing valve  A-TMV
- Vandal-resistant screws for removable cover and custom wrench  A-VRS
- 1.2 gpm laminar flow outlet  A-ELF
- 1.2 gpm aerator  A-EA12

### WARRANTY:

- 5 Year Limited

Architect/Engineer Approval Space:

SPEAKMAN  
400 ANCHOR MILL ROAD  
NEW CASTLE, DE 19720

P: 800-537-2107  
F: 800-977-2747  
W: WWW.SPEAKMAN.COM  
R: OCTOBER 2017

**DIMENSIONS:** NOTE: 1. All dimensions are in inches (millimeters) unless otherwise specified and are subject to change without notice.  
 2. Inlet is 3/8" compression with male threads. Position faucet as close to the edge of the sink as possible.

