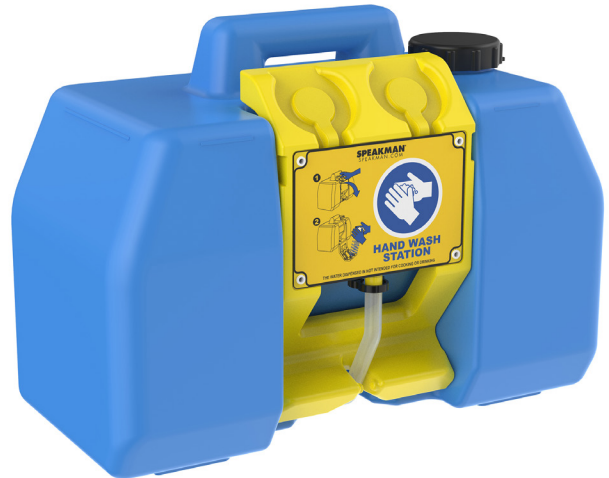


Portable Hand Wash Station

FEATURES:

- Molded plastic spray outlets
- 9 gallon high density molded polyethylene tank
- Pull tray for activation
- 0.4 GPM (1.51 L/min) @ 30 PSI flow rate
- Plastic fill cap
- Shelf, table (tailgate), or wall mountable (wall mount bracket included)
- **This product should NOT be used as a Emergency Eye Wash, it is intended for Hand Washing purposes only.**
Water supplied via this product is NOT to be used for cooking or drinking purposes.
It is recommended, and some codes may require, this hand wash be used in conjunction with a soap dispenser.



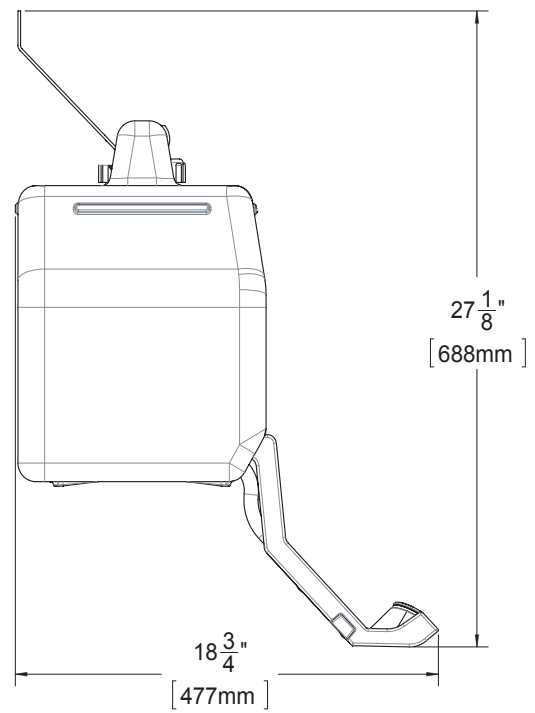
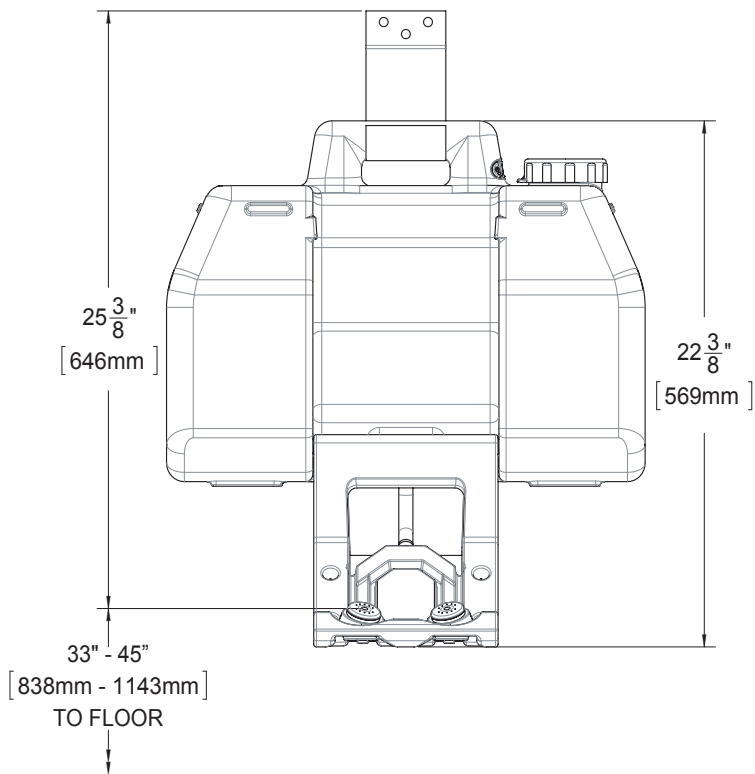
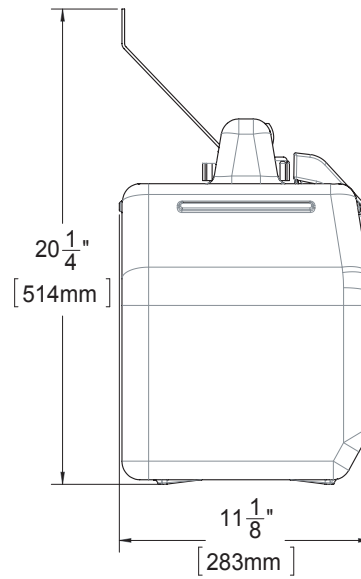
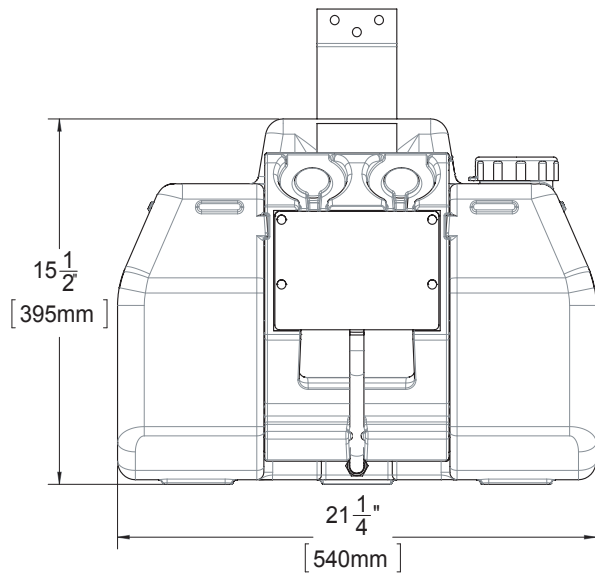
Information continues on next page

All dimensions are in inches (millimeters) unless otherwise specified and are subject to change without notice.

Architect/Engineer Approval Space:

P: 800-537-2107
F: 800-977-2747
W: WWW.SPEAKMAN.COM
R: 01-APRIL 2020

Portable Hand Wash Station



All dimensions are in inches (millimeters) unless otherwise specified and are subject to change without notice.

Architect/Engineer Approval Space:

P: 800-537-2107
F: 800-977-2747
W: WWW.SPEAKMAN.COM
R: 01-APRIL 2020