

Icon™ Shower Head

MODEL:

- S-2256-E2: 2.0 GPM (7.6 L/min) flow rate

FEATURES:

- 6 plungers, 48 sprays, 3 spray patterns
- Patented Anystream® plungers resist scale build-up
- Spray adjusting handle
- Solid brass construction
- 1/2" -14 NPTF female inlet
- Corrosion resistant finish

STOCK FINISH:



PC

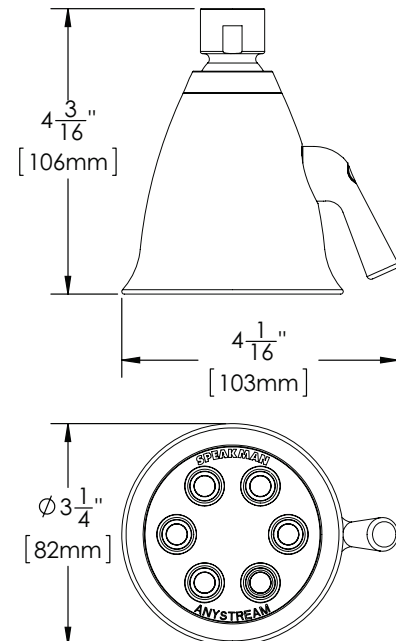
STANDARDS:

- ASME A112.18.1/CSA B125.1 certified
- WaterSense certified

WARRANTY:

Visit www.speakman.com for full product warranty information

- Limited Lifetime Warranty (consumer)
- 1 Year Limited Warranty (commercial)



All dimensions are in inches (millimeters) unless otherwise specified and are subject to change without notice.

Architect/Engineer Approval Space:

P: 800-537-2107
F: 800-977-2747
W: WWW.SPEAKMAN.COM
R: 02-OCTOBER 2018