

Sentinel Mark II® Pressure Balance Valve

FEATURES:

- Brass body construction
- Four port valve with (2) 1/2" female copper sweat inlets, (1) 1/2" female copper sweat shower outlet, and (1) 1/2" -14 NPT female tub outlet
- Pressure balancing and ceramic temperature regulating cartridge with built-in check valves
- Adjustable temperature limit stop to control maximum temperature setting
- Supports back-to-back installation
- Includes rough-in template and 1/2" pipe plug

TRIM OPTIONS:

- CPT-3000

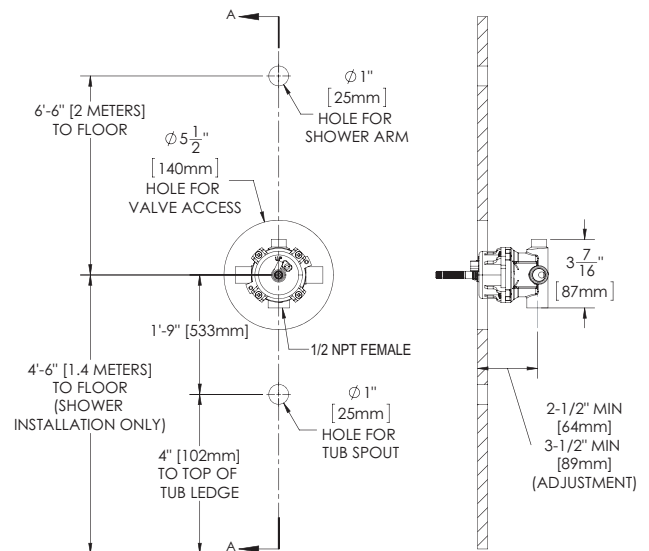
STANDARDS:

- ASME A112.18.1/CSA B125.1 certified
- ASSE 1016 certified

WARRANTY:

Visit speakman.com for full product warranty information

- 5 Year Limited Warranty (commercial)
- 5 Year Limited Warranty (residential)



1. All dimensions are in inches (millimeters) unless otherwise specified and are subject to change without notice. 2. For ADA mounting locations, consult ADAAG, ANSI A117.1, and state regulations.

Architect/Engineer Approval Space:

P: 800-537-2107
 F: 800-977-2747
 W: WWW.SPEAKMAN.COM
 R: 02-NOVEMBER 2019