

## Safe-T-Zone Stainless Steel Combination Shower with Round Eye/Face Wash Bowl

**MODELS:**

- SE-625: Stainless steel combination shower and eye/face wash
- SE-625-SS: All stainless steel combination shower and eye/face wash

**EYEWASH FEATURES:**

- (2) yellow plastic spray outlets with flip-top dust caps (SE-625)
- (2) stainless steel spray outlets with plastic dust covers (SE-625-SS)
- Round stainless steel bowl
- Stainless steel push handle activation
- 1/2" NPT female stainless steel valve
- 1/2" NPT female inlet
- Chrome plated brass in-line strainer
- 4.5 GPM (17 L/min) @ 30 PSI flow rate

**SHOWER FEATURES:**

- 8" stainless steel high performance emergency shower head with integral flow control & drain so water doesn't collect and freeze
- Stainless steel pull rod activator
- 1" NPT female stainless steel, full flow stay-open ball valve
- 1-1/4" NPT female top or side supply
- 1-1/4" NPT female waste
- Elevated drain to support easier testing and eliminate trip hazards
- 20 GPM (75.71 L/min) @ 30 PSI flow rate
- 1-1/4" IPS stainless steel piping stanchion
- Stainless steel finish provides corrosion resistance
- Universal emergency sign included

**OPTIONS:**

- FPV: Freeze protection valve
- HFO: Hand/foot operation
- HS: Hand held drench hose
- SCSV: Self-closing shower valve with chain & ring
- SPV: Scald protection valve

**ADD-ONS:**

- STW-362: Thermostatic mixing valve (38.0 GPM @ 30 PSI)
- STW-350: Thermostatic mixing valve (62.5 GPM @ 30 PSI)

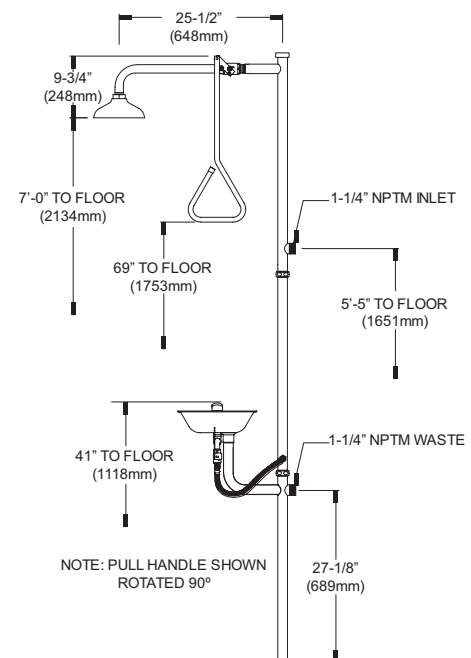
**STANDARDS:**

- ANSI/ISEA Z358.1 certified

**WARRANTY:**

Visit [www.speakman.com](http://www.speakman.com) for full product warranty information

- 3 Year Limited Warranty (commercial)



All dimensions are in inches (millimeters) unless otherwise specified and are subject to change without notice.

Architect/Engineer Approval Space:

P: 800-537-2107  
 F: 800-977-2747  
 W: WWW.SPEAKMAN.COM  
 R: 03-MARCH 2022