

## Optimus® Laboratory Wall-Mounted Eyewash

### MODELS:

---

- ❑ SE-577-SD: 10 in. Arm
- ❑ SE-577-SD-ADA: 16 in Arm. ADA Compliant

### FEATURES:

---

- Wall-mounted
- (2) Aerated Optimus spray heads with integrated dust caps
- Brass, chrome-plated valve
- Pull down activated
- ½ in. NPT male inlet
- 2.6 gpm @ 30 psi
- Universal emergency sign included

### STOCK FINISHES:

---



PC

### STANDARDS:

---

- ANSI/ISEA Z358.1 certified
- ADA compliant (SE-577-SD-ADA only)

### WARRANTY:

---

Visit [www.speakman.com](http://www.speakman.com) for full product warranty information

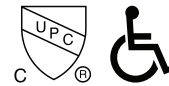
- 3 Year Limited Warranty (commercial)



SE-577-SD



SE-577-SD-ADA



Information continues on next page

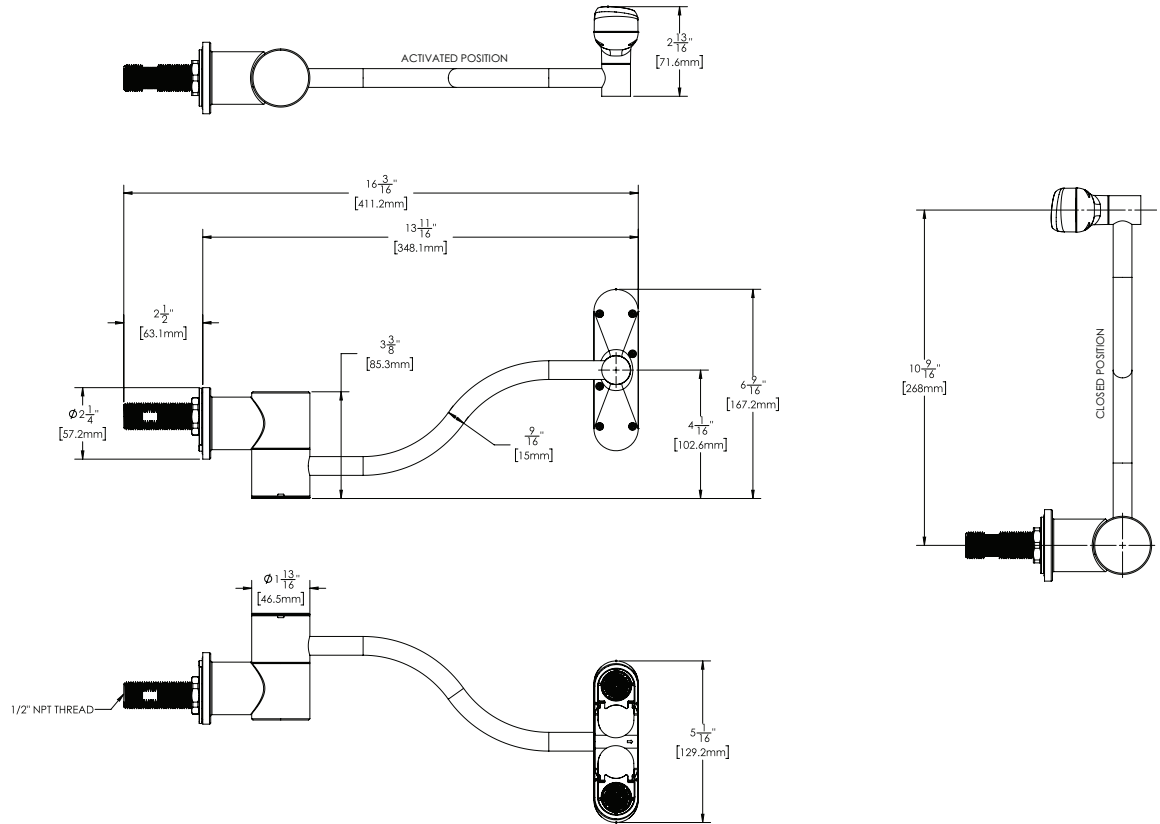
All dimensions are in inches (millimeters) unless otherwise specified and are subject to change without notice.

Architect/Engineer Approval Space:

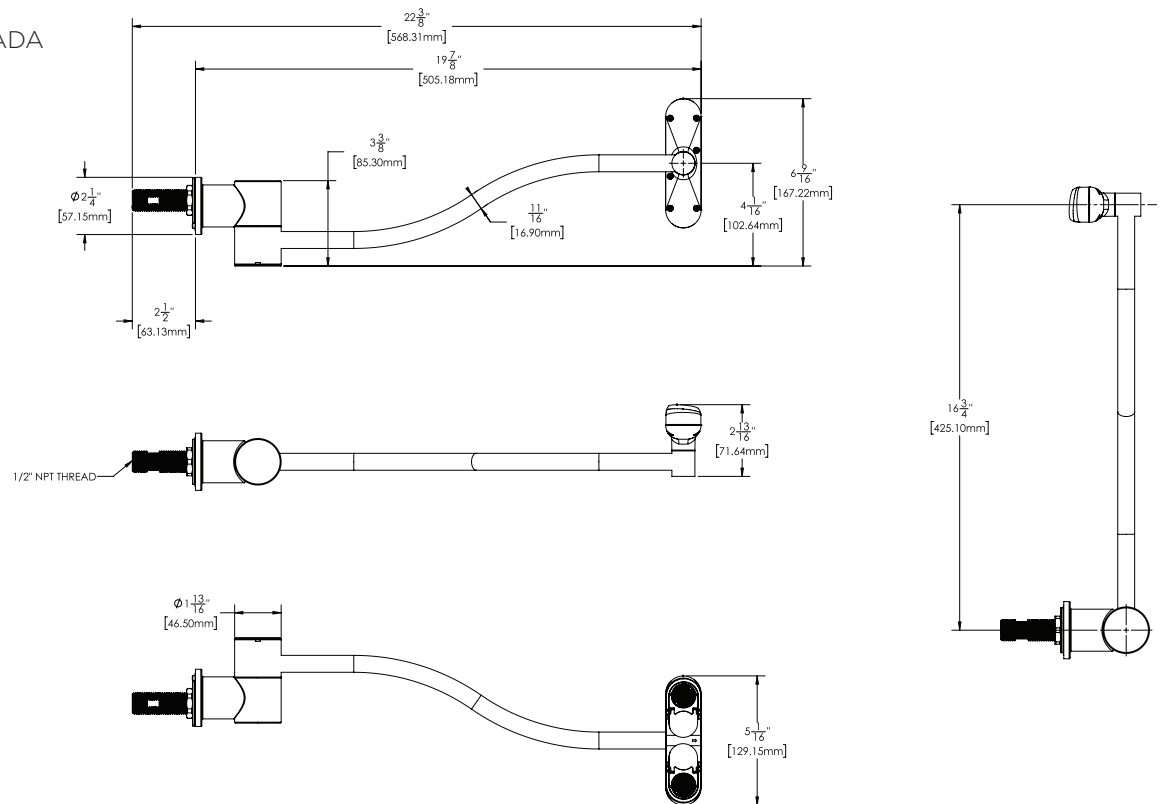
P: 800-537-2107  
F: 800-977-2747  
W: WWW.SPEAKMAN.COM  
R: 02-NOVEMBER 2019

## Optimus® Laboratory Wall-Mounted Eyewash

SE-577-SD



SE-577-SD-ADA



All dimensions are in inches (millimeters) unless otherwise specified and are subject to change without notice.

Architect/Engineer Approval Space:

P: 800-537-2107  
 F: 800-977-2747  
 W: WWW.SPEAKMAN.COM  
 R: 02-NOVEMBER 2019