

## Kubos™ Shower Arm and Flange

### FEATURES:

- Arm measures 5-5/8" in length
- Stainless steel arm and brass flange construction
- 1/2" -14 NPTM connections
- Corrosion resistant finishes
- Wall-mounted installation
- Coordinates with Kubos Collection

### STOCK FINISHES:

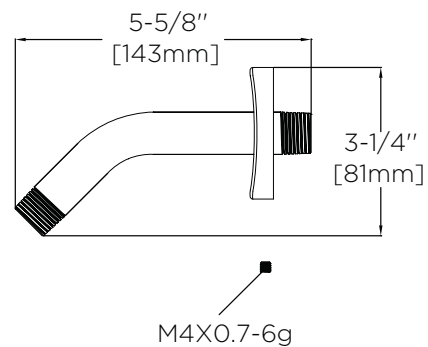
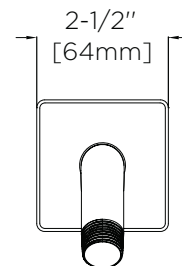


PC BN MB

### WARRANTY:

Visit [www.speakman.com](http://www.speakman.com) for full product warranty information

- Limited Lifetime Warranty (consumer)
- 1 Year Limited Warranty (commercial)



All dimensions are in inches (millimeters) unless otherwise specified and are subject to change without notice.

Architect/Engineer Approval Space:

P: 800-537-2107  
F: 800-977-2747  
W: [WWW.SPEAKMAN.COM](http://WWW.SPEAKMAN.COM)  
R: 03-NOVEMBER 2019