

Sensorflo® Battery Powered Lavatory Faucet

MODELS:

- ❑ S-8717-CA-E: Low profile faucet with 4 in. deck plate.
- ❑ S-8718-CA-E: Low profile faucet with 4 in. deck plate, under counter mechanical mixer with built-in backflow check valves.
- ❑ S-8727-CA-E: Low profile faucet with 8 in. deck plate.
- ❑ S-8728-CA-E: Low profile faucet with 8 in. deck plate, under counter mechanical mixer with built-in backflow check valves.

FEATURES:

- Ceramic manual override valve activates the faucet for continuous operation in the event of battery drain or user preference.
- Solenoid with built-in filter.
- Includes hoses needed to make manual override connections.
- Two 3-volt DC lithium batteries with waterproof connectors housed above-counter in spout.
- Spout consists of all metal chassis and removable cover.
- Low battery warning light.
- Vandal resistant 60-second time out feature.
- Lead-free construction.
- Water conserving vandal-resistant flow control reduces flow to 0.5 gpm (1.89 L/min).
- NOTE: Stainless steel flexible supply hose(s), 3/8 in. compression, to supply stop(s) not included, see add-ons below.

S-8717-CA-E
S-8718-CA-E



S-8727-CA-E
S-8728-CA-E



COMPLIANCE:

- ASME A112.18.1/CSA B125.1 certified
- NSF 61 certified
- NSF 372 certified



FINISH:



PC

ADD-ONS:

- 0.5 gpm Boca spray outlet & 1.5 gpm laminar flow outlet kit ❑ A-BOLF
- Two (2) stainless steel flexible supply hoses to supply stops ❑ A-HS
- One (1) stainless steel hose for tempered water systems (S-8717, S-8727 only) ❑ A-HTS
- Tee with integral check valves ❑ A-TEE
- Under counter thermostatic mixing valve (S-8717, S-8727 only) ❑ A-TMV
- Vandal-resistant screws for removable cover and custom wrench ❑ A-VRS
- 1.2 gpm laminar flow outlet ❑ A-ELF
- 1.2 gpm aerator ❑ A-EA12

WARRANTY:

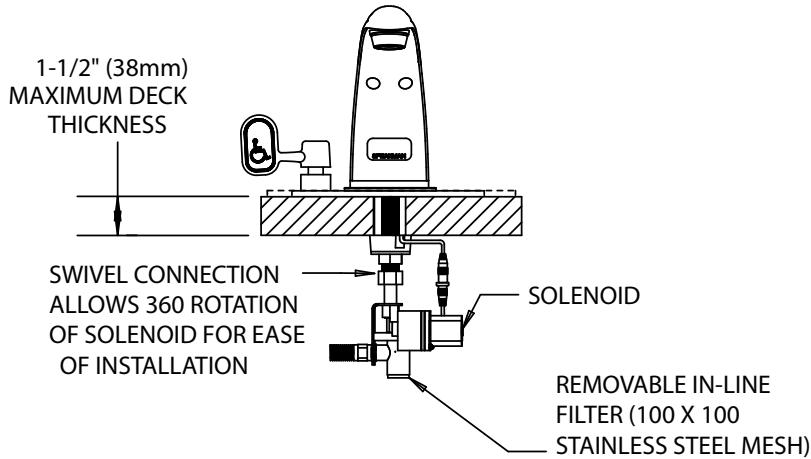
- 5 Year Limited

Architect/Engineer Approval Space:

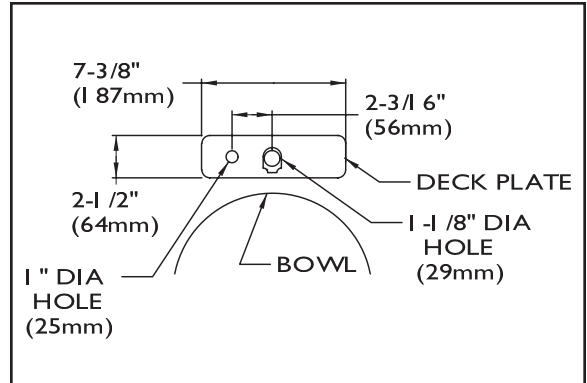
SPEAKMAN
400 ANCHOR MILL ROAD
NEW CASTLE, DE 19720

P: 800-537-2107
F: 800-977-2747
W: WWW.SPEAKMAN.COM
R: OCTOBER 2017

DIMENSIONS: NOTE: 1. All dimensions are in inches (millimeters) unless otherwise specified and are subject to change without notice.
 2. Inlet is 3/8" compression with male threads. Position faucet as close to the edge of the sink as possible.



S-8717-CA-E
S-8718-CA-E



S-8727-CA-E
S-8728-CA-E

