

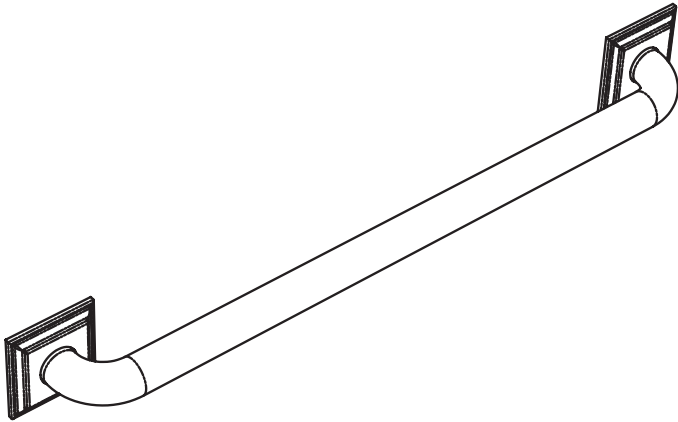
SPEAKMAN®

Rainier™ ADA Grab Bars

SA-1309-24
SA-1309-36

SA-1309-48

SPECIFICATION



MODELS:

- SA-1309-24: 24 in. bar
- SA-1309-36: 36 in. bar
- SA-1309-48: 48 in. bar

FEATURES:

- Stainless Steel Construction
- Flexible mounting configuration (horizontal, vertical, diagonal)
- Includes mounting hardware



COMPLIANCE:

- Meets ASME A112.18.1/CSA B125.1

AVAILABLE FINISHES:

ADD SUFFIX TO MODEL #

- Polished Chrome (standard)
- Brushed Nickel -BN

WARRANTY:

- 1 Year Limited

SEE REVERSE FOR ROUGH-IN DIMENSIONS

THIS SPACE FOR ARCHITECT/ENGINEER APPROVAL.

SPEAKMAN®

400 ANCHOR MILL ROAD | NEW CASTLE, DE 19720
P: 800-537-2107 | F: 800-977-2747
WWW.SPEAKMANCOMPANY.COM

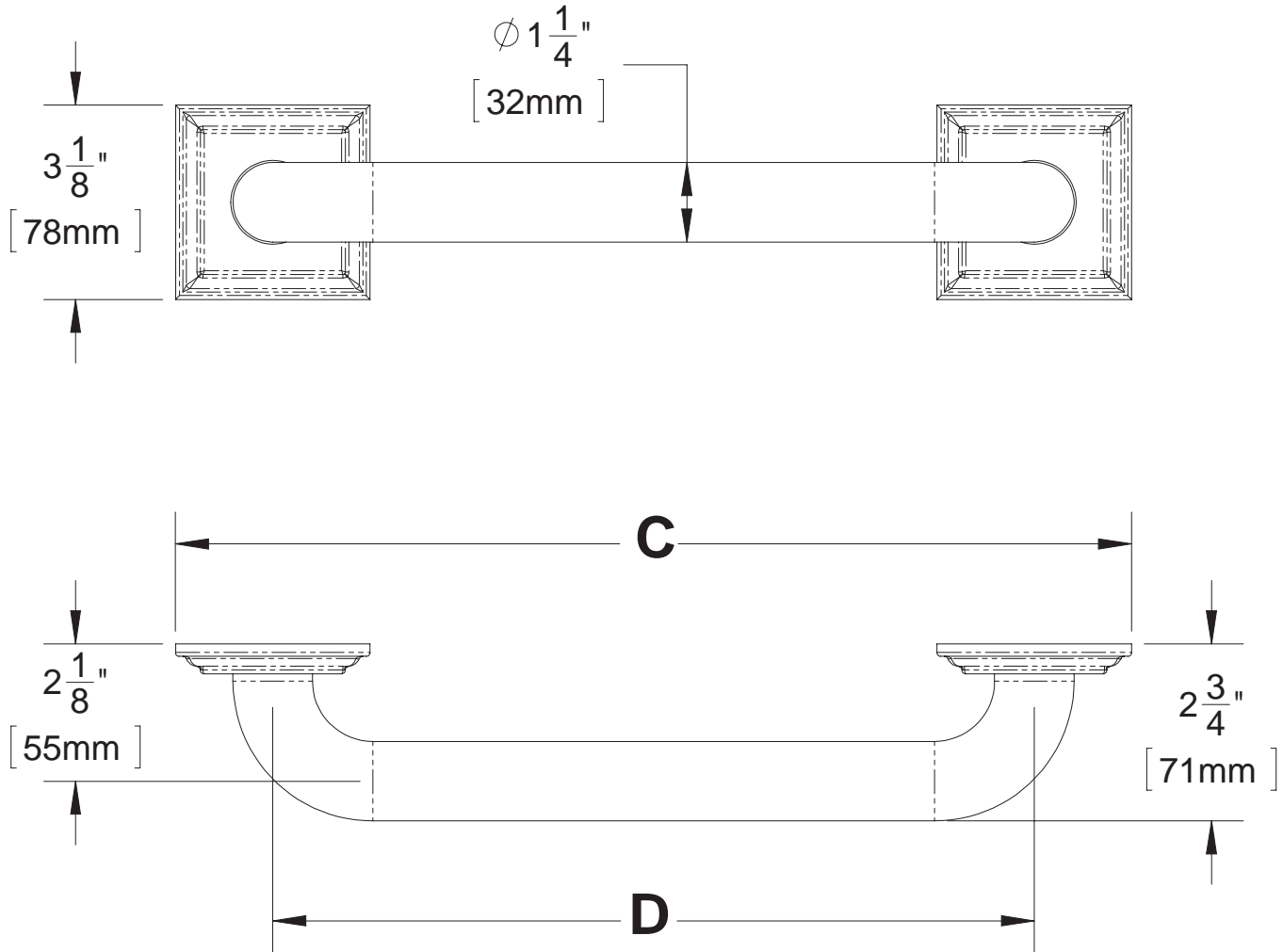
REVISION DATE: FEBRUARY 2014

Management Systems
Registered to ISO 9001

SPEAKMAN®

Rainier™ ADA Grab Bars SA-1309-24, SA-1309-36, SA-1309-48

SPECIFICATION



DIMENSION "C"

| | |
|-------------------|-----------------|
| SA-1309-24 | 27-1/8" (687mm) |
| SA-1309-36 | 39-1/8" (992mm) |
| SA-1309-48 | 51-18" (1297mm) |

DIMENSION "D"

| | |
|-------------------|--------------|
| SA-1309-24 | 24" (610mm) |
| SA-1309-36 | 36" (914mm) |
| SA-1309-48 | 48" (1219mm) |

NOTE: 1. All dimensions are in inches (millimeters) unless otherwise specified and are subject to change without notice.

THIS SPACE FOR ARCHITECT/ENGINEER APPROVAL.

SPEAKMAN®

400 ANCHOR MILL ROAD | NEW CASTLE, DE 19720
 P: 800-537-2107 | F: 800-977-2747
 WWW.SPEAKMANCOMPANY.COM

REVISION DATE: FEBRUARY 2014

Management Systems
 Registered to ISO 9001