

# SPEAKMAN®

## FLW (Flow Switch) & FLW-DPDT (Flow Switch –Double Pole/ Double Throw)

### SPECIFICATIONS

Activator: 19" Chain.

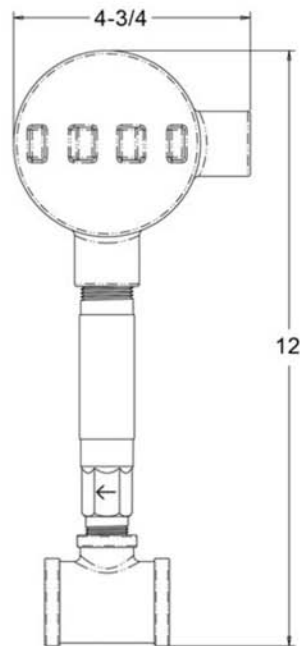
#### **(FLW)**

Flow switch: spdt, 5a @ 120VAC junction box: 3/4"- 2 outlet, NEMA 4 metallic junction box. tee: 1" x 1" x 1/2" NPT galvanized tee. electrical classification: flow switch assembly rated for class 1, div. 2, groups b, c, d

#### **(FLW-DPDT)**

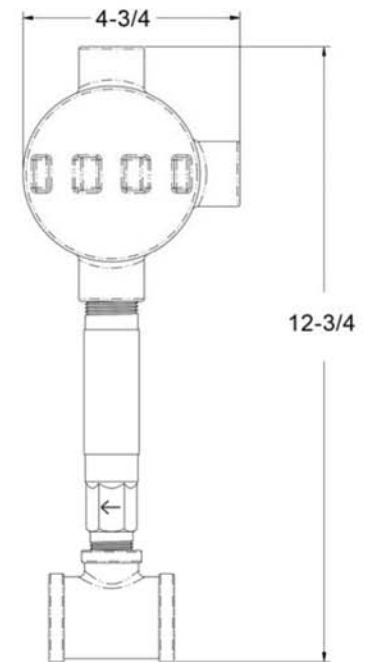
Flow switch: dpdt, 5a @ 120VAC junction box: 3/4"- 3 outlet, NEMA 4 metallic junction box. tee: 1" x 1" x 1/2" NPT galvanized tee. electrical classification: flow switch assembly rated for class 1, div. 2, groups b, c, d

### ROUGH IN DIMENSIONS



FLW ROUGH-IN

1



FLW-DPDT ROUGH-IN

Job Name _____
Location _____
Architect/Engineer _____
Sales Representative _____
Wholesaler _____
Date _____ Model # _____

2