

Echo™ Shower Head

The multi-function shower head shall have turbine impeller and three spray settings consisting of massage spray, middle spray, and outer spray. The shower head shall have no more than 2.4°F of thermal loss at 24" from the spray head. The spray coverage shall have 56% coverage between a 4" and 6" diameter. The shower head shall perform within 10% of stated GPM. The shower head shall be certified with ASME A112.18.1/CSA B125.1, WaterSense and be listed with the California Energy Commission.

MODELS:

- S-4200-E2: 2.0 GPM (7.6L/min) flow rate
- S-4200-E175: 1.75 GPM (6.6 L/min) flow rate
- S-4200-E15: 1.5 GPM (5.7 L/min) flow rate

FEATURES:

- 84 sprays, 3 spray patterns
- Spray adjusting faceplate
- Plastic body construction, with brass ball nut
- 1/2" -14 NPTF female inlet
- Corrosion resistant finishes
- Coordinates with Echo Collection

STOCK FINISHES:



PC BN MB

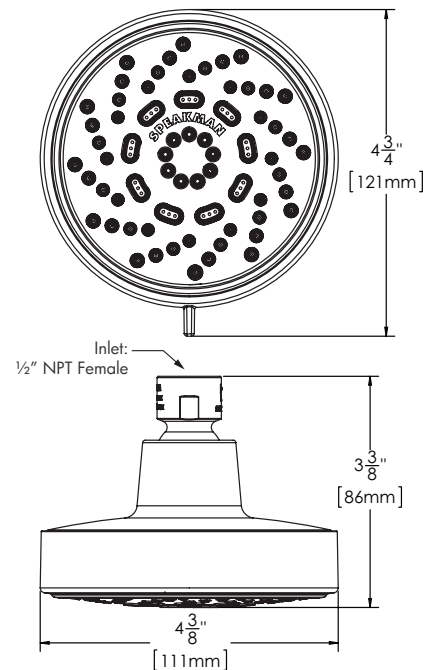
STANDARDS:

- ASME A112.18.1/CSA B125.1 certified
- WaterSense certified
- CEC (CA Energy Commission) certified, 1.75, 1.5 GPM only

WARRANTY:

Visit www.speakman.com for full product warranty information

- Limited Lifetime Warranty (consumer)
- 1 Year Limited Warranty (commercial)



All dimensions are in inches (millimeters) unless otherwise specified and are subject to change without notice.

Architect/Engineer Approval Space:

P: 800-537-2107
 F: 800-977-2747
 W: WWW.SPEAKMAN.COM
 R: 03-AUGUST 2021