

# SPEAKMAN® SE-69O-PVC

## Combination Shower with Round Eye/Face Wash System

### EYE/FACE WASH FEATURES: (SE-495)

- (2) yellow plastic spray outlets
- ABS plastic bowl
- ½ in. NPT female 300 series stainless steel ball valve
- Stainless steel push handle activator
- ½ in. NPT female inlet
- 4.5 gpm @ 30 psi
- Universal Emergency Sign Included

### SHOWER FEATURES:

- 8 in. yellow plastic showerhead
- Internal 20 gpm restrictor flow control
- 1 in. NPT female stainless steel, full flow stay-open ball valve
- Stainless steel tube activator
- 1½ in. schedule 80 PVC pipe stanchion and fittings
- 1½ in. NPT female inlet & waste
- 20 gpm @ 30 psi

### FINISHES:



Gray (standard)

### COMPLIANCE:

- Certified to ANSI/ISEA Z358.1

### OPTIONS:

Add suffix to model #

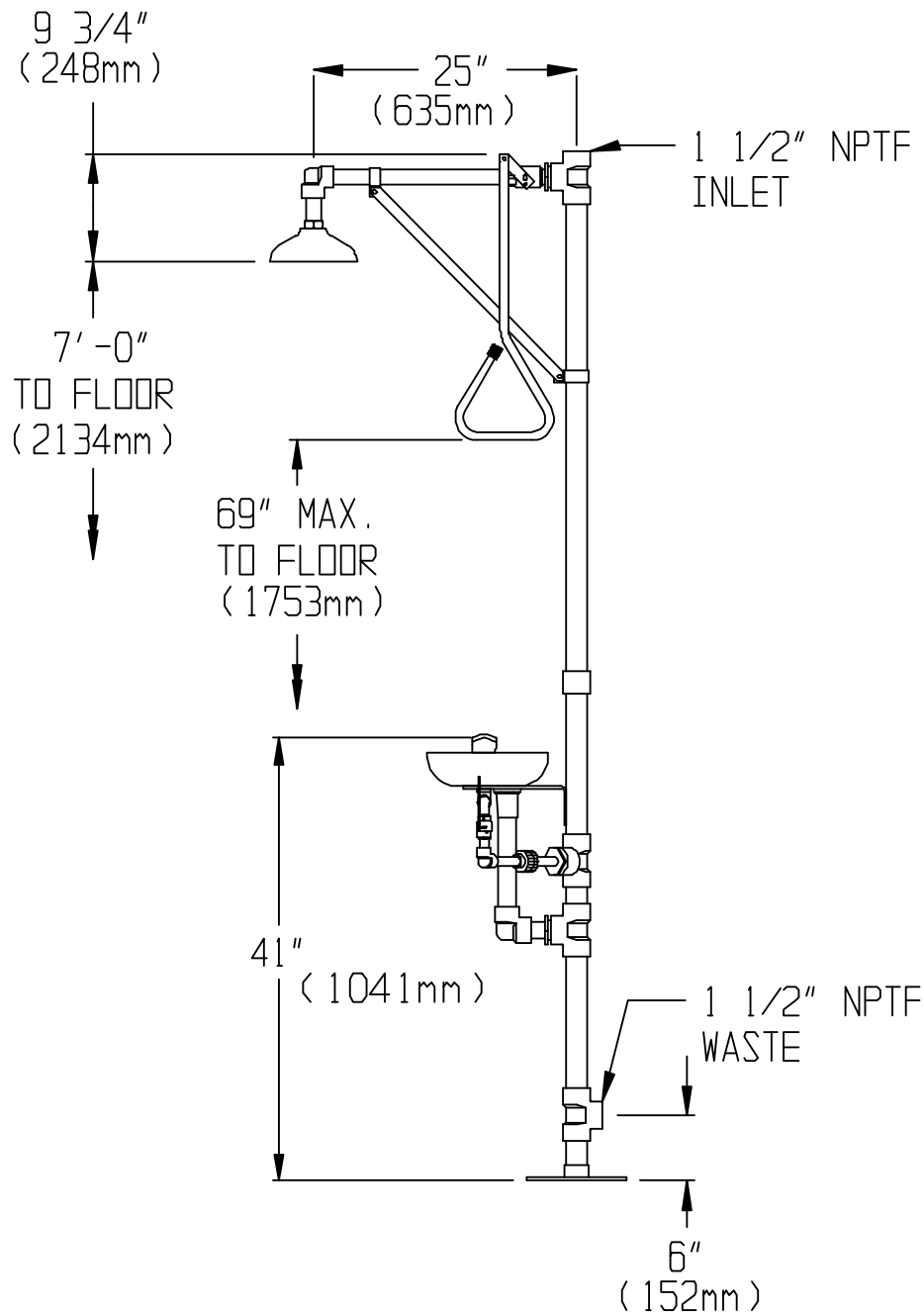
- |                                |                               |
|--------------------------------|-------------------------------|
| • Flow switch                  | <input type="checkbox"/> -FLW |
| • Anti-freeze protection valve | <input type="checkbox"/> -FPV |
| • Hand & foot operation        | <input type="checkbox"/> -HFO |
| • Hand-held spray              | <input type="checkbox"/> -HS  |
| • Anti-scald protection valve  | <input type="checkbox"/> -SPV |
| • Stainless steel showerhead   | <input type="checkbox"/> -SSH |

### WARRANTY:

- 3 year limited



**DIMENSIONS:** NOTE: 1. All dimensions are in inches (millimeters) unless otherwise specified and are subject to change without notice.



NOTE: PULL HANDLE SHOWN ROTATED 90°