

Sensorflo® AC Powered Lavatory Faucet

MODELS:

- ❑ S-8812-CA-E: Low profile faucet with 4 in. deck plate.
- ❑ S-8822-CA-E: Low profile faucet with 8 in. deck plate.

FEATURES:

- Above counter hot/cold mixer with built-in check valves and adjustable temperature limit stop.
- Solenoid with built-in filter.
- Includes hose needed to make mixer connection.
- UL/CSA approved transformer 120 VAC to 12 VDC with waterproof connectors.
- Lead-free construction.
- Spout consists of all metal chassis and removable cover.
- Vandal-resistant 60-second time out feature.
- Water conserving vandal-resistant flow control reduces flow to 0.5 gpm (1.89 L/min).
- NOTE: Stainless steel flexible supply hoses, 3/8 in. compression, to supply stops not included, see add-ons below.

COMPLIANCE:

- ASME A112.18.1/CSA B125.1 certified
- NSF 61 certified
- NSF 372 certified

FINISH:



PC

ADD-ONS:

- 0.5 gpm Boca spray outlet & 1.5 gpm laminar flow outlet kit
- Two (2) stainless steel flexible supply hoses to supply stops
- Under counter thermostatic mixing valve
- Vandal-resistant screws for removable cover and custom wrench
- 1.2 gpm laminar flow outlet
- 1.2 gpm aerator
- Tee with integral check valves

❑ A-BOLF

❑ A-HS

❑ A-TMV

❑ A-VRS

❑ A-ELF

❑ A-EA12

❑ A-TEE

OPTION: Add suffix to model

- Less transformer

❑ -LT

WARRANTY:

- 5 Year Limited

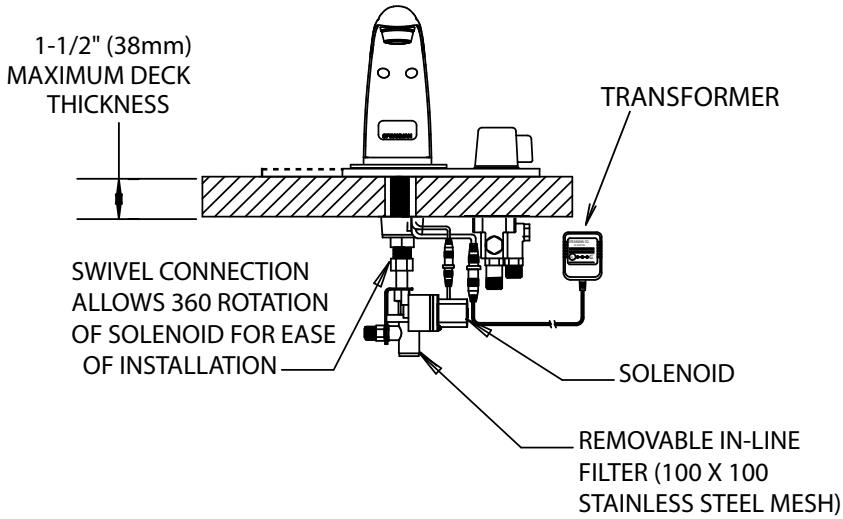
S-8812-CA-E



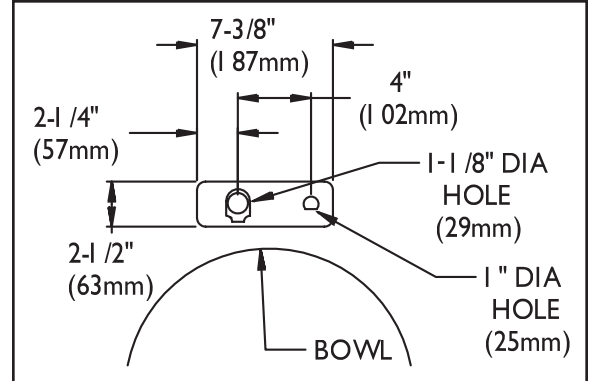
S-8822-CA-E



DIMENSIONS: NOTE: 1. All dimensions are in inches (millimeters) unless otherwise specified and are subject to change without notice.
 2. Inlet is 3/8" compression with male threads. Position faucet as close to the edge of the sink as possible.



S-8812-CA-E



S-8822-CA-E

