

Single Lever Kitchen Faucet

MODELS:

- ❑ S-3762-E: Single lever lead free kitchen faucet.
- ❑ S-3762-E-HS: Single lever lead free kitchen faucet with hose and spray attachment

FEATURES:

- Lead free NSF compliant
- 8 in. deck single lever kitchen faucet.
- All metal construction.
- Ceramic cartridge.
- Water conserving aerator reduces flow to 1.8 gpm/6.8 L/min.
- Copper tube inlets with 1/2 in. NPSM compression threads.

COMPLIANCE:

- ASME A112.18.1/CSA B125.1 certified
- NSF 61 certified
- NSF 372 certified
- WaterSense

FINISH:



PC

OPTIONS:

 Add suffix to model #

- 0.5 gpm flow control, vandal-resistant -BO
- 1.5 gpm laminar flow control outlet, vandal-resistant -LF
- 2.2 aerated flow control, vandal-resistant -VR

WARRANTY:

- 5 Year Limited



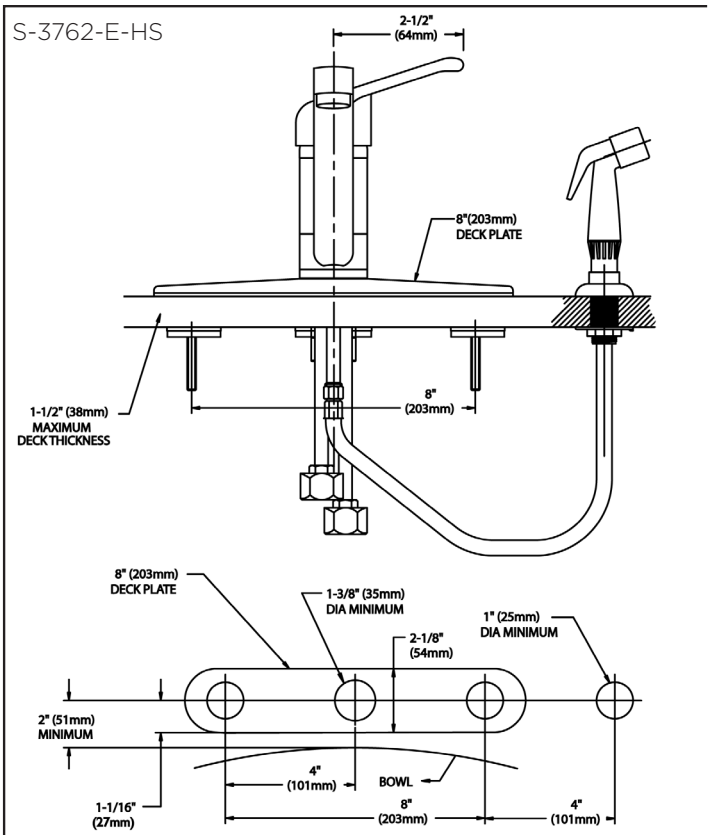
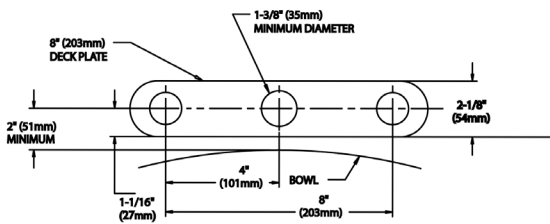
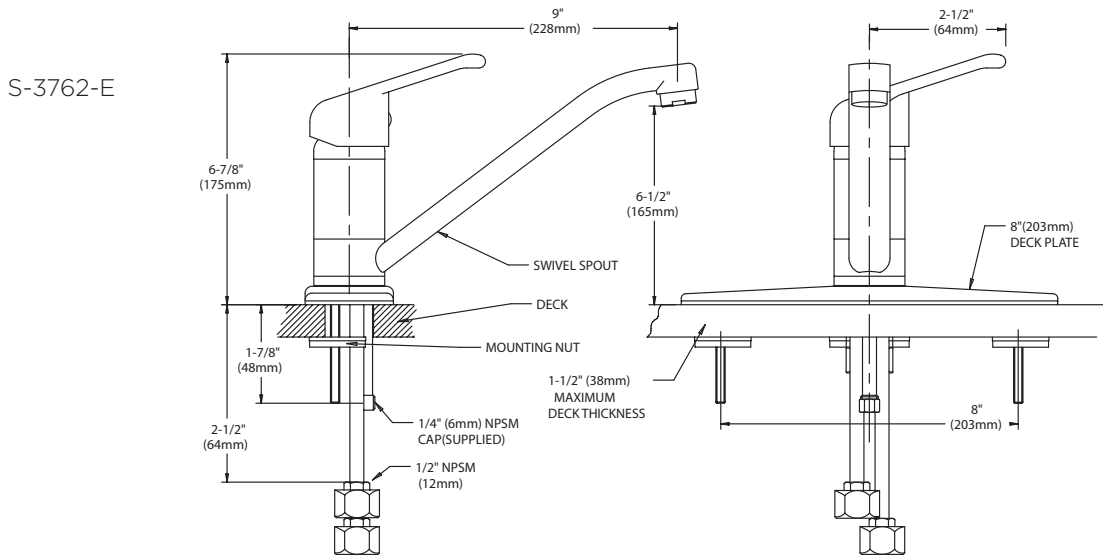
S-3762-E



S-3762-E-HS



DIMENSIONS: NOTE: 1. All dimensions are in inches (millimeters) unless otherwise specified and are subject to change without notice.
 2. Inlet is 3/8" compression with male threads. Position faucet as close to the edge of the sink as possible.



Architect/Engineer Approval Space:

SPEAKMAN
 400 ANCHOR MILL ROAD
 NEW CASTLE, DE 19720

P: 800-537-2107
 F: 800-977-2747
 W: WWW.SPEAKMAN.COM
 R: OCTOBER 2017