

SPEAKMAN®

S-2280

Installation, Operation & Maintenance Instructions

ANYSTREAM® SHOWER HEAD

DESCRIPTION

Polished chrome plated ANYSTREAM wall mounted shower head. Rigid brass ball. Spray adjusting T-handle, 2-1/4" face. 4 Lexan® deposit resisting plungers with 32 spray channels. Drilled for but less mounting bolts. Water conserving pressure compensating AUTOFLO® device reduces flow to 2.5 GPM/9.46LPM maximum, to meet existing ANSI A112.18.1 Standard. Vandal resistant standard. 1/2" NPT back inlet.

SPECIFICATIONS

SUPPLY INLET: 1/2" NPTF

FLOW RATE: 2.5 GPM/9.46LPM MAXIMUM

FLOW CONTROL: VARIABLE

SHIPPING WEIGHT: 2.1 LBS

OPTIONS:

AP	Anchor Plate Assembly with Mounting Screws
BJ	Ball Joint
E15	Low Flow Head (1.5 GPM/ 5.7 LPM) (Ball Joint Only)
E20	Low Flow Head (2.0 GPM/ 7.6 LPM) (Ball Joint Only)

INSTALLATION

Apply pipe thread tape in a clockwise direction to threads of supply nipple. Pipe joint compound may be used instead of tape. Turning in a clockwise direction, thread the showerhead on to the supply nipple. Tighten & position with a strap wrench or a pair of soft jaw pliers. Mark and drill holes for mounting screws (not provided). Note: If necessary, remove shower head and use proper screw anchors (4) (not provided). Turn the water supply on and check for leaks. Tighten mounting screws (4).

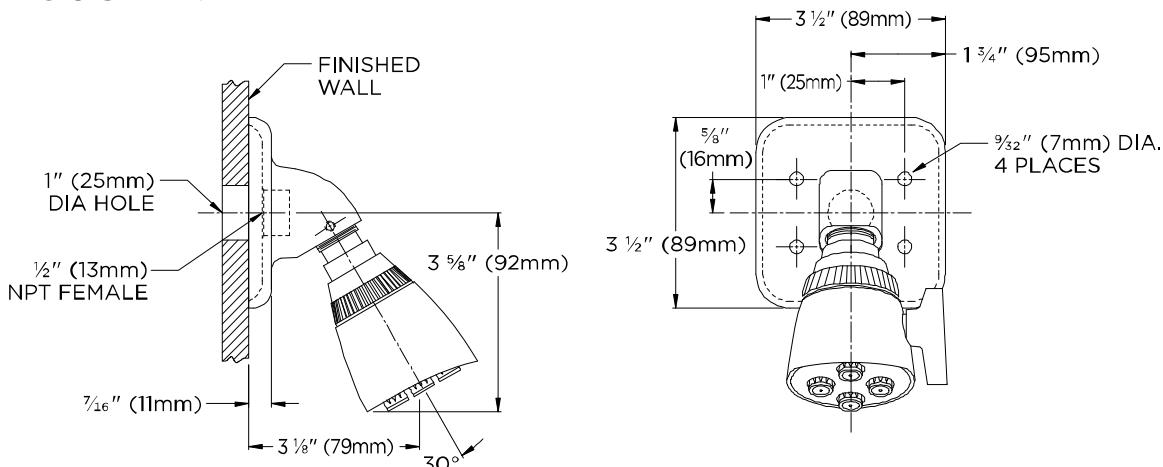
OPERATION

To adjust the spray pattern of the shower head, simply rotate the handle to the desired spray (needle spray, gentle rain or full flood).

MAINTENANCE

The gleaming finish of your SPEAKMAN WATERSAVER® shower head can be cleaned by using mild soap and warm water. Dry immediately with a soft, clean cloth for best results. The flow control device limits water flow to 2.5 gallons per minute. The small orifice may become clogged with scale and other minerals found in potable water. To clean the flow regulator, simply loosen the side set screw and remove the shower head from the flanged elbow, remove the flow control from the brass retainer and clean as necessary.

ROUGH-IN



SPEAKMAN®