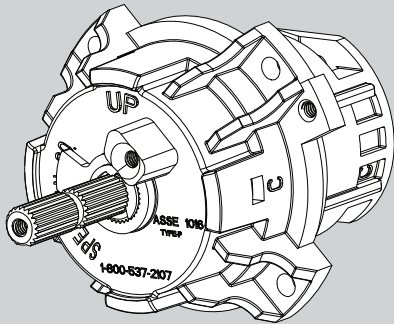
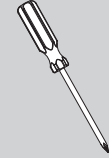


INSTRUCTIONS FOR MODELS

RPG05-106096



Phillips
Screwdriver



IMPORTANT



- Be sure to read instructions thoroughly before beginning installation.
- Be sure to have properly adjusted the Temperature Limiting Stop (TLS) as outlined in this Installation Manual.
- Inspect all connections of the Valve after installation of this repair part.
- The Valve installed with this repair part typically has an operating range of 20-80 Psi.
- The Valve installed with this repair part is designed to be used in conjunction with a shower-head rated at 1.75 gpm (6.6 L/min) or higher flow rate.
- **NOTE:** This installation manual covers the steps to replace the Old Cartridge in several models of the Shower Valves. While the appearance of your valve may differ from those shown, the installation method is the same.

SAFETY TIPS



Cover your drain to prevent loss of parts. Be sure to wear eye protection while cutting pipe.

MAINTENANCE



Your Shower/Bath Valve is designed for years of trouble-free performance. Keep it looking new by cleaning it periodically with a soft cloth. The use of harsh chemicals and abrasives on any of the Speakman custom finish products may damage the finish and void the product warranty. Please be sure to only use approved cleaners. Please contact Speakman for any clarification of acceptable cleaners.

WARRANTY




Warranty information can be found at:
www.speakman.com


NEED HELP?

For additional assistance or service please contact:

SPEAKMAN®

 800-537-2107

 customerservice@speakman.com

 www.speakman.com

92-RPG05-106096-02

TOOLS AND SUPPLIES

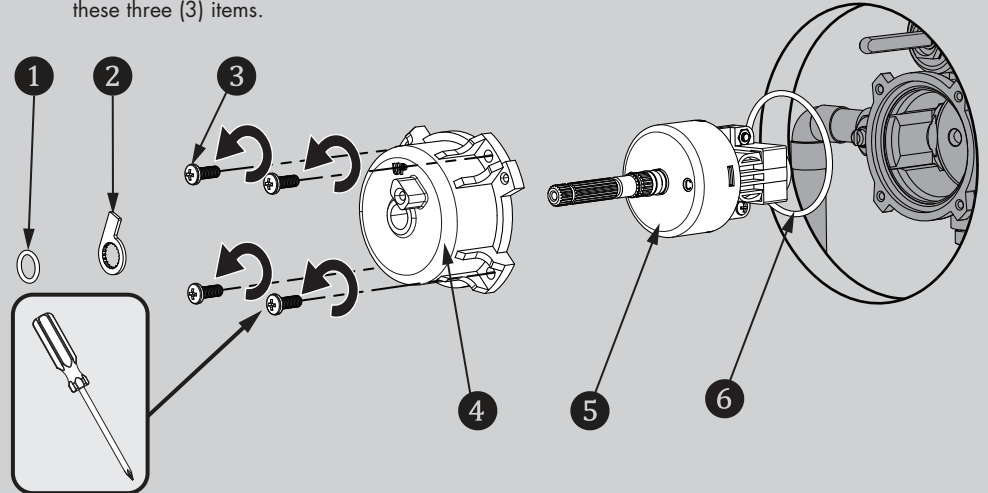
1

Turn "OFF" water supplies. Remove the Trim (if any) accordingly and keep it aside to reinstall later. Remove the **OLD** Cartridge Assembly of the Shower Valve by following the steps below.

- Remove Spindle O-ring **1**, TLS Plate **2**, and four (4) Bonnet Screws **3**.

NOTE: Do not lose the four (4) Bonnet Screws as these will be used to install the new Cartridge Assembly Kit.

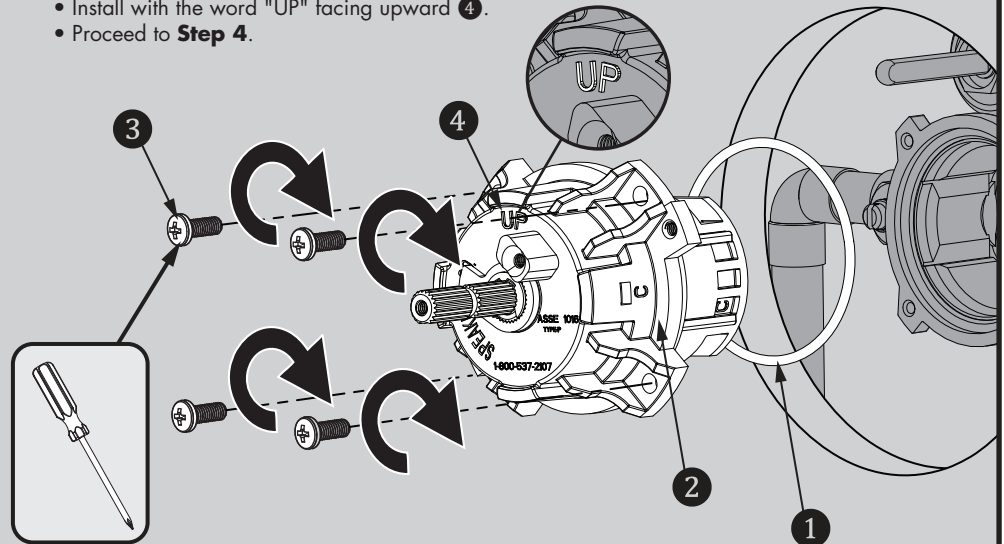
- Then remove Bonnet **4**, Cartridge Assembly **5**, and the O-ring **6** from Valve Body. Discard these three (3) items.



2

Install the **NEW** Cartridge Assembly Kit by following the steps below.

- Place the O-Ring **1** as supplied with this Kit in its place first within the Valve Body Cavity.
- Install the Cartridge Assembly **2** to the Valve Body using the four (4) Bonnet Screws **3** from the existing Shower Valve.
- Install with the word "UP" facing upward **4**.
- Proceed to **Step 4**.

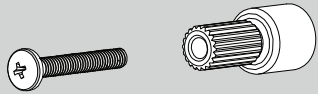


If you are performing this installation with the following trims:

CPT-3000

CPT-3400

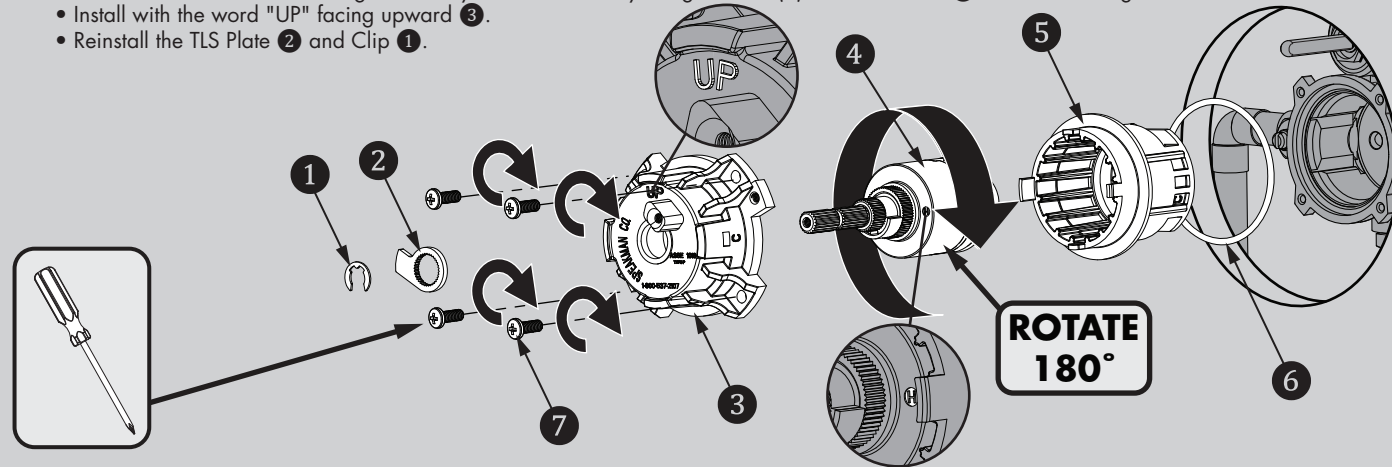
please use the **SPINDLE EXTENSION** and included **SCREW**.



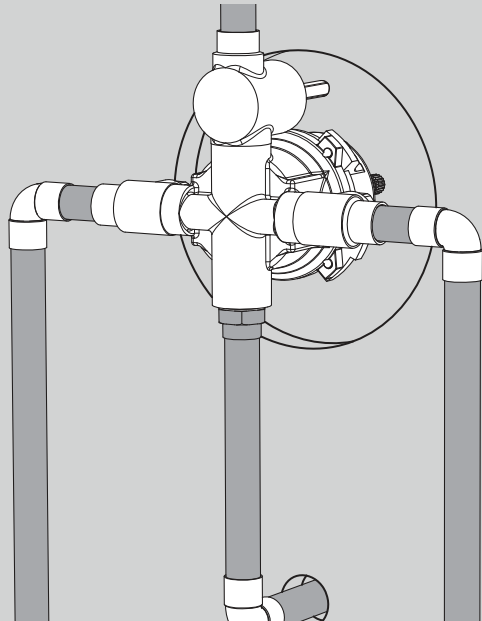
If you are performing a **Back-to-Back Installation**, or have reversed inlet supplies, please proceed to **Step 3**

3 Ensure that the water supplies are turned "OFF". Remove the **OLD** Cartridge Assembly by following **Step 1**. Make adjustments of the New Cartridge Assembly Kit by following the Steps below.

- Gently take off Retaining Clip **1** and TLS Plate **2**.
- Using a Screwdriver, pop open the Bonnet **3**. Pull out the Cartridge **4** from the Transfer Part **5**.
- Rotate the Cartridge **4** 180° and reinstall into the Transfer Part **5**. The "H" marking on the Cartridge cover should now be on the right hand side.
- Snap the Bonnet **3** back into the Transfer Part **5**.
- Place the O-Ring **6** as supplied with this Kit into the Valve Body Cavity.
- Install the reassembled Cartridge Assembly to the Valve Body using the four (4) Bonnet Screws **7** from the existing Shower Valve.
- Install with the word "UP" facing upward **3**.
- Reinstall the TLS Plate **2** and Clip **1**.



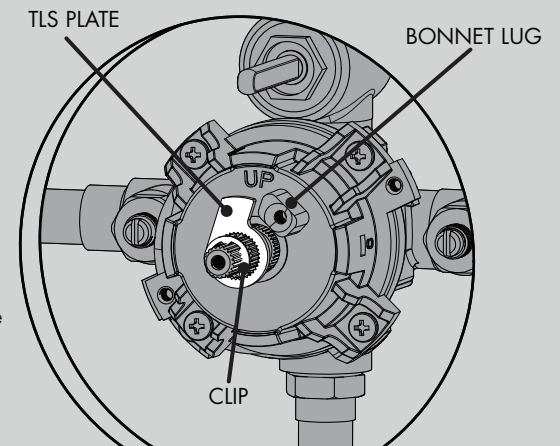
4 Ensure the Valve is in the "OFF" position. Turn "ON" water supplies and check all connections for leaks. Proceed to **Step 5** for any temperature limit adjustment prior to reinstalling the Trim (if any) accordingly.



5 TEMPERATURE LIMIT ADJUSTMENT

The maximum outlet temperature setting adjustment (Temperature Limit Stop (TLS)) of the Valve has been factory set at 110° F. To adjust the limit of the maximum outlet temperature the Valve delivers, adjust the Valve's temperature limit stop (TLS) Plate.

- Slip the Retaining Clip away from the Spindle and the TLS Plate towards the end of the Spindle.
- With the water supplies "On", rotate the Valve Spindle clockwise to the maximum desired outlet temperature.
- Position the TLS Plate so it contacts the Lug on the Bonnet and therefore restricts the clockwise rotation of the Spindle.
- Slip the Retaining Clip back into the groove of the Spindle to hold the TLS plate in place.
- Rotate the Spindle counter-clockwise to the "Off" position.



NOTE: A thermometer can be held at the Valve outlet to aid in either checking the existing factory setting or reaching the desired outlet temperature.