

Instructions for Models:

G74-0054

Stanchion used
for combination

stations:

SE-603

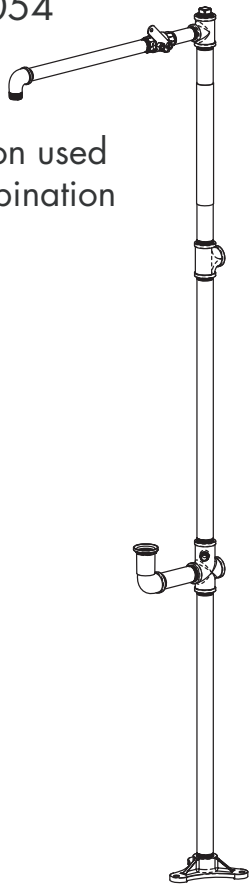
SE-616

SE-690

SE-693

SE-695

SE-697



Need Help?

For additional assistance or service call:

SPEAKMAN Company
400 Anchor Mill Road
New Castle, DE 19720

PHONE: 800-537-2107

EMAIL: customerservice@speakman.com

WEB: www.speakman.com

92-G74-0054-01

What You Need To Know:

Tools:

Required:

*Pipe
Wrench



*Strap
Wrench



*Level



*Adjustable
Wrench



*7/16" Allen
Wrench



*Hardware
(not included)



Important Notes:

ANSI Z358.1 requires that all safety emergency equipment shall be activated on a weekly basis to flush the line and verify proper operation. **SPEAKMAN** furnishes a testing record tag (91-0635) with each unit. On this tag, the date of inspection and the inspector's initials should be noted. ANSI Z358.1 specifies that the height of the spray heads is to be between 33" - 45" from the floor. Use Thread Locker or Sealant on all threaded connections. Be sure the Unit is level and plum.

Safety Tips:

Cover your drain to prevent loss of parts. Always wear eye protection.

Maintenance:

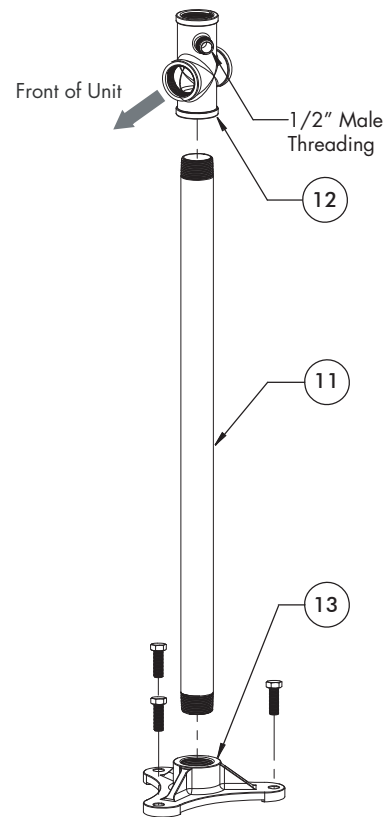
Should you need parts to repair this unit, please reference the parts listing for correct repair part number. Before any maintenance is done, be sure to shut the water supply off. Use only genuine **SPEAKMAN** parts when repairing or replacing components. To order parts, call 1-800-537-2107.

- 1 • At desired location, mount Floor Flange (13) on a flat, level surface using suitable anchors, making sure that one of the three ears on the Floor Flange is positioned at what will be the front of the Stanchion.

• The Unit should be placed so that there is sufficient unobstructed area around the Stanchion.

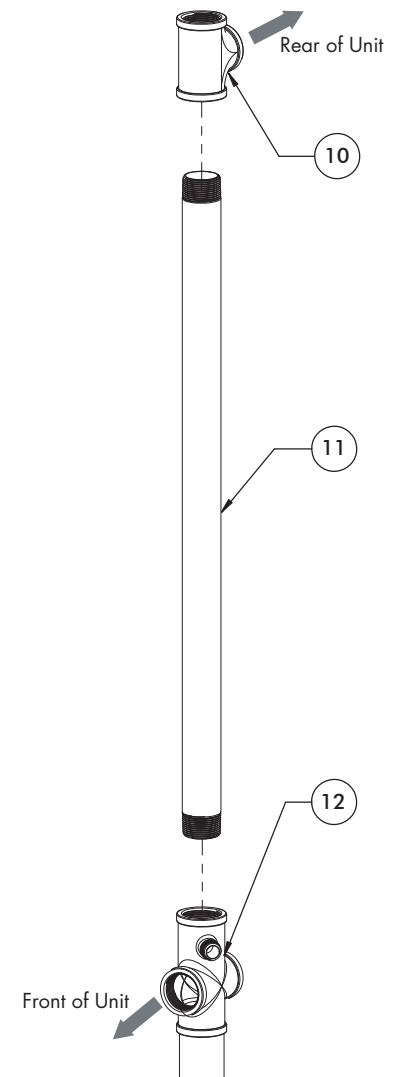
• Assemble 1-1/4" x 29-3/8" Pipe (11) to Floor Flange (13).

• Thread 1-1/4" x 1/2" Drain/Supply Cross (12) onto Pipe (11). Side Outlets should face the front and back of the Unit, and the 1/2" male threaded outlet upward at 45° to the right side of the Unit.



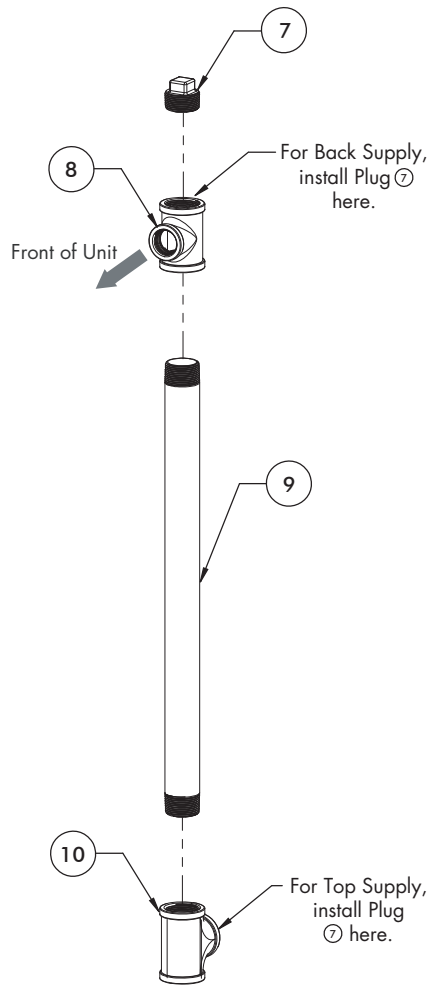
- 2 • Assemble 1-1/4" x 29-3/8" Pipe (11) to Drain/Supply Cross (12). Assemble 1-1/4" Tee (10) to Pipe (11).

• Assure the Side Outlet portion of Tee (10) is facing the rear of the Unit.



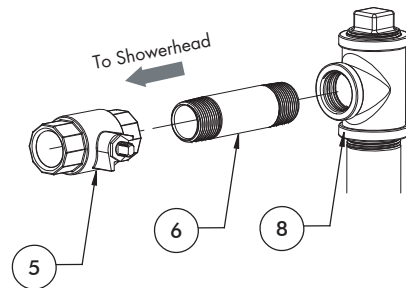
- 3 ● If water supply is coming from above Unit, install Plug (7) into side outlet of Tee (10).

- If water supply is coming from behind Unit, install Plug (7) into top outlet of Tee (10).

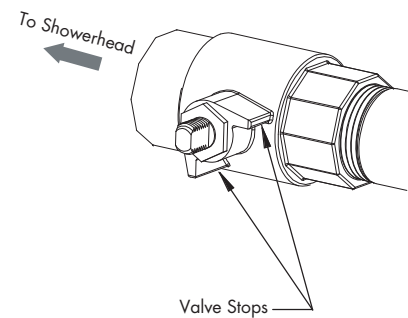


- 4 ● Assemble 1" x 4-1/2" Pipe (6) into Side Outlet of Tee (8). Review View 4a below to understand the orientation of Ball Valve (5).

- Assemble 1" Ball Valve (5) onto Pipe (6). Valve Stops must be aligned correctly in order for the Pull Handle to operate properly.



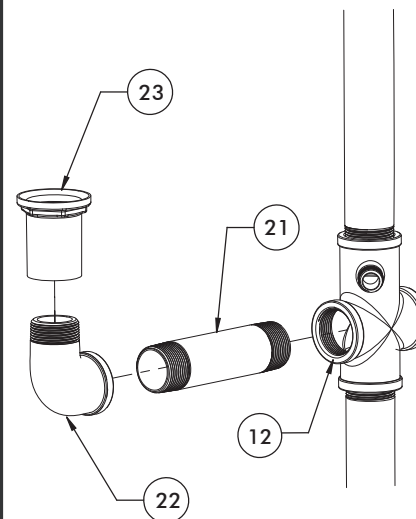
Detail View 4a



- 5 ● Assemble 1-1/4" x 6" Pipe (21) to Drain/Supply Cross (12).

- Install Street Elbow (22), making sure the male threading is plum.

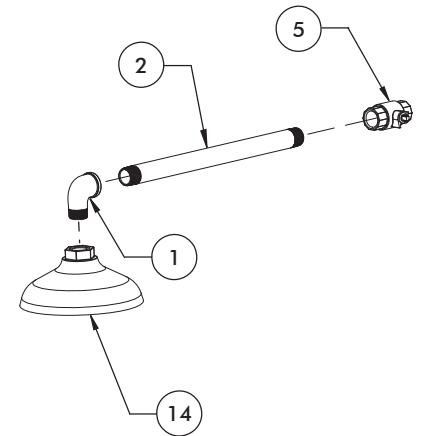
- Assemble the 1-1/4" Bowl Mounting Spud (23) to Street Elbow (22), making sure the top surface is level.



- 5 ● Install Pipe (2) into Ball Valve (5).

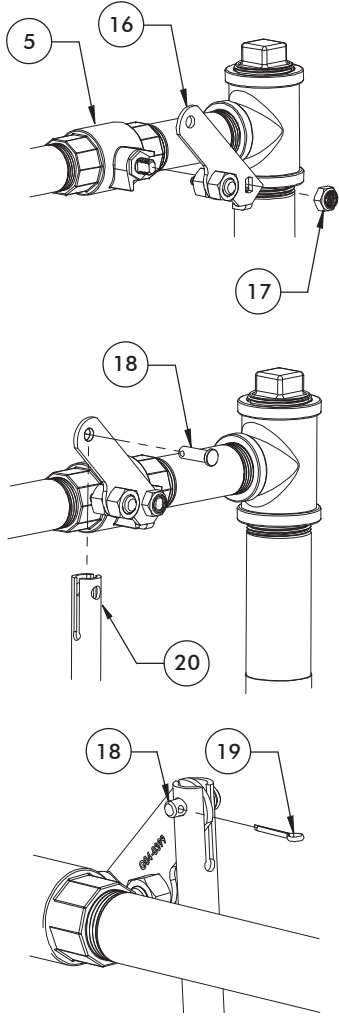
- Assemble Elbow (1) to Pipe (2) being sure to orient Elbow (1) so that the outlet is facing down.

- Re-install existing Showerhead (14) to Elbow (1).

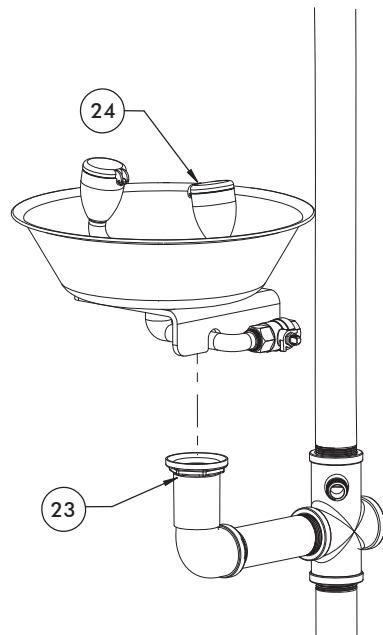


Note: Proceed to Steps 7-10 to re-install your existing Eyewash Bowl and Pull Rod.

- 7
- Assemble the Lever Handle Assembly (16) to Ball Valve (5) using Nylo-Hex Nut (17), being sure to orient the Handle as shown below.
 - Insert the slot in the Pull Rod (20) over the Lever Handle Assembly (16) and insert Pin (18).
 - Secure Pin (18) with Cotter Pin (19).

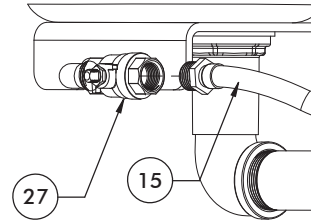


- 8
- Assemble Eyewash Assembly (24) by aligning the Strainer Drain thread on the Eyewash with the Bowl Mounting Spud (23) on Stanchion.
 - Secure Eyewash by tightening Strainer Drain with a 7/16" Allen Wrench, making sure the Eyewash Assembly (24) is level once fully tightened.

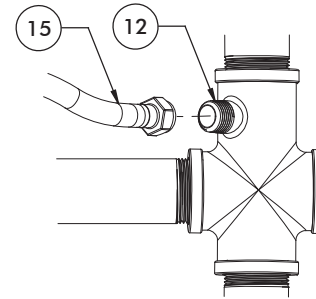


- 9
- Assemble male end of Flex Hose (15) to Ball Valve (27) (Detail View 9a).
 - Assemble female end of Flex Hose (15) to Drain/Supply Cross (12) (Detail View 9b).
 - Install Paddle Handle (25) to Ball Valve (27) using Nylo-Hex Nut (26) (Detail View 9c).

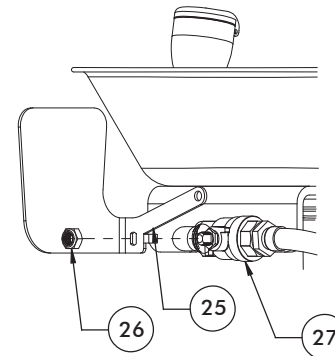
Detail View 9a



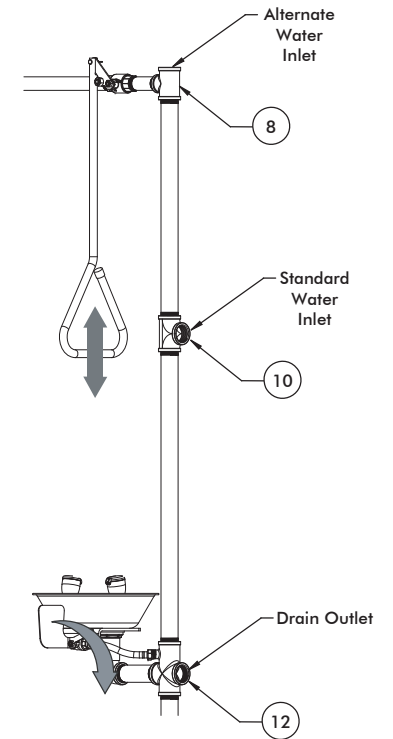
Detail View 9b



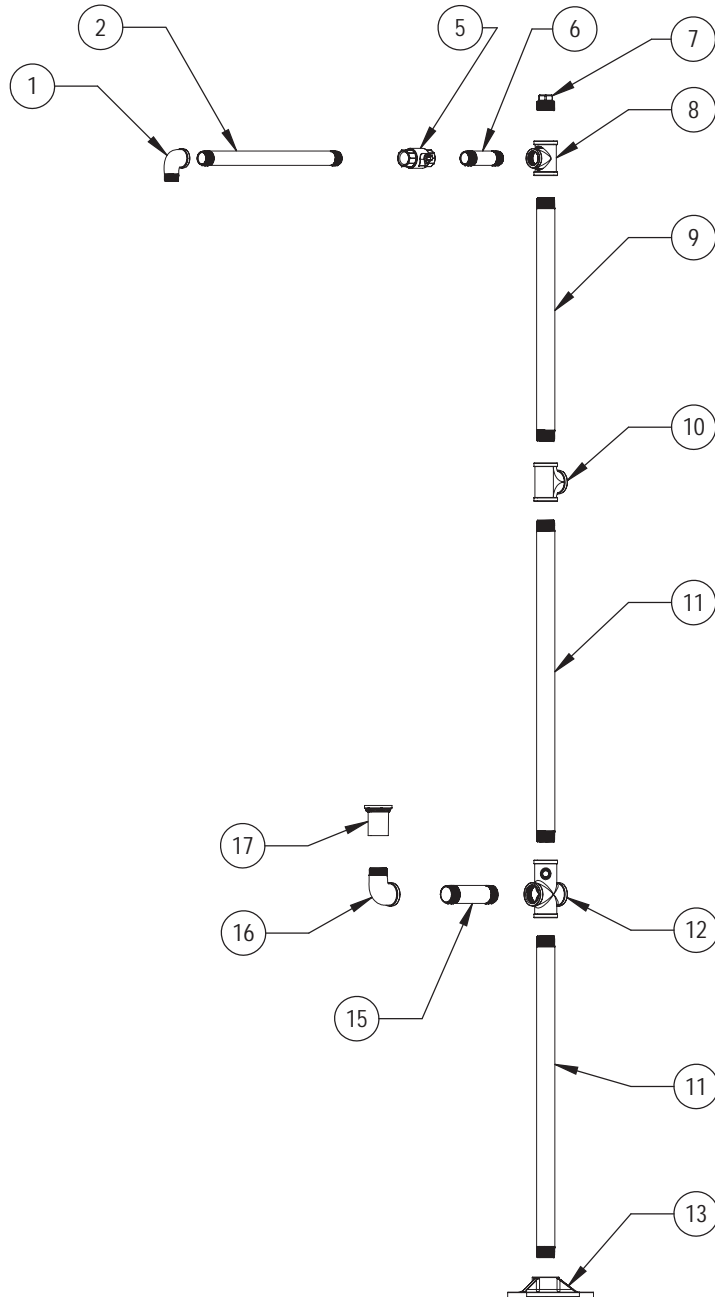
Detail View 9c



- 10
- Connect an uninterrupted potable water supply with a minimum of 30psi flowing pressure to Water Inlet. Failure to use potable water can result in further injury.
 - Connect an adequate drain to Drain Outlet that complies with all local plumbing codes.
 - Turn on water supply and check connections for leaks.
 - To test the Eye/Face Wash, and for subsequent operation, push the Paddle Handle forward 90°. The unit will operate until the Paddle Handle is manually pulled back to the OFF position.
 - To test the Shower, and for subsequent operation, pull the Pull Rod down. The unit will operate until the Pull Rod is manually pushed back to the OFF position.



EXPLODED VIEW

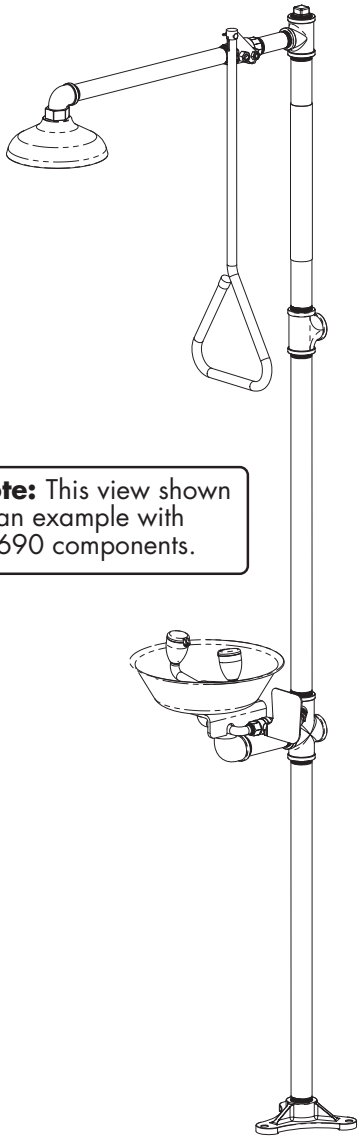


Item No.	Part No.	Description	Qty.
1	25-0253	1" x 90° Galv. Street Elbow	1
2	32-0595	1" x 17-5/8" Galv. Pipe, TBE	1
5	20-0955	1" Chrome Plated Brass Ball Valve	1
6	31-0427	1" x 4-1/2" Galv. Pipe, TBE	1
7	08-0146	1-1/4" Galv. Plug	1
8	24-0249	1-1/4" x 1-1/4" x 1" Galv. Tee	1
9	31-0596	1-1/4" x 22-1/4" Lg. Pipe, TBE	1
10	24-0257	1-1/4" Galv. Tee	1
11	31-0601	1-1/4" x 29-3/8" Lg. Galv. Pipe, TBE	2
12	05-2516	1-1/4" x 1/2" Galv. Drain/Supply Cross	1
13	26-0242	1-1/4" Galv. Floor Flange	1
15	31-0602	1-1/4" x 6" Lg. Galv. Pipe, TBE	1
16	25-0295	1-1/4" Galv. Street Elbow	1
17	05-2535	1-1/4" Galv. Bowl Mounting Spud	1

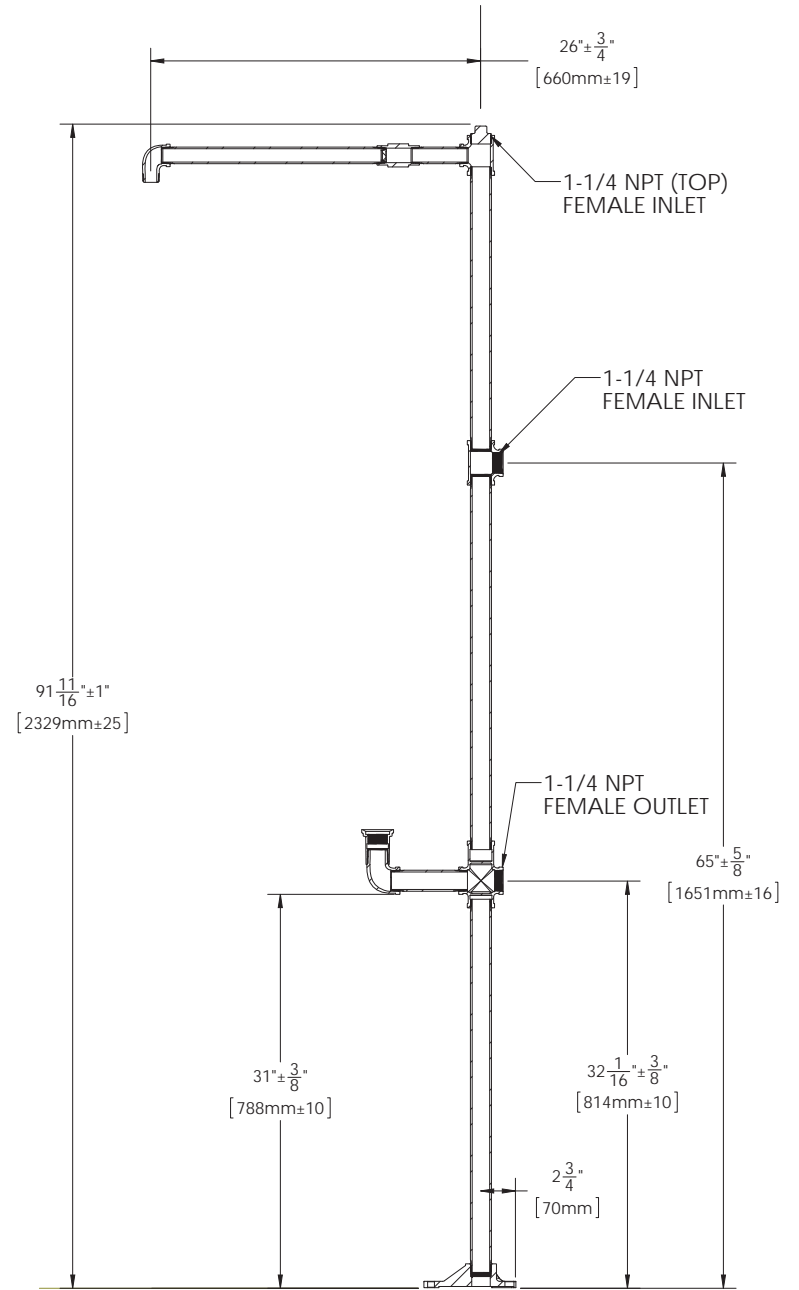
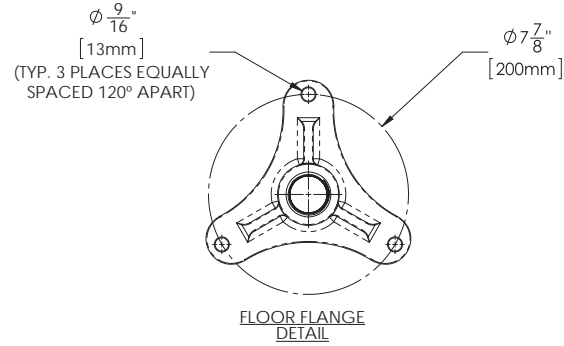
Repair Parts

Item No.	Part No.	Description
5	SE-911	1" Ball Valve

ROUGH-IN



Note: This view shown as an example with SE-690 components.



NOTE: ALL UNITS MEET EXISTING ANSI Z358.1 STANDARDS AND OSHA RULES. PRODUCT IMPROVEMENTS MAY CAUSE SPECIFICATION AND DIMENSIONAL CHANGES WITHOUT NOTICE.