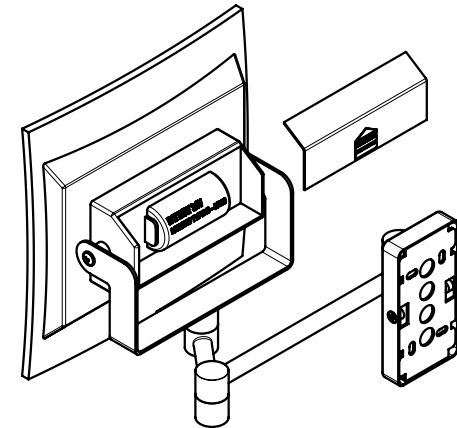
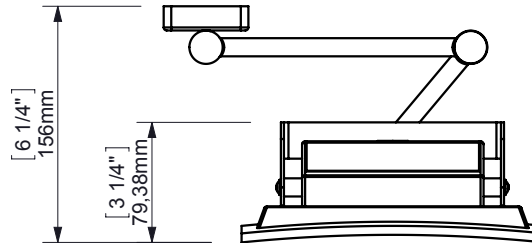


WALL FIXATION  
MONTAJE A PARED



Square 200mm, single side 3X, LED white light  
 Light auto turn on when adjusting mirror  
 Built-in 3 minutes auto-off timer  
 Powered by one lithium battery 3.6V 17Ah Type D LR20  
 Battery life: approximately 5 years  
 Install anywhere; no electrical connection  
 Wall-mounted, double-arm, in brass material, Chrome finishing

espec\_679

Imágenes no a escala / Draw not to scale / Echelle non respectée

Peso / Weight / Poids : 1,25 Kg.

Data / Datos / Données:

Normas / Regulations / Normes:

Sonia S.A se reserva el derecho de realizar cualquier cambio sin previo aviso  
 Sonia S.A has the right to make changes without notice  
 Sonia S.A se réserve le droit de procéder à tout changement sans notification préalable



MADE IN EUROPE  
www.sonia-sa.com