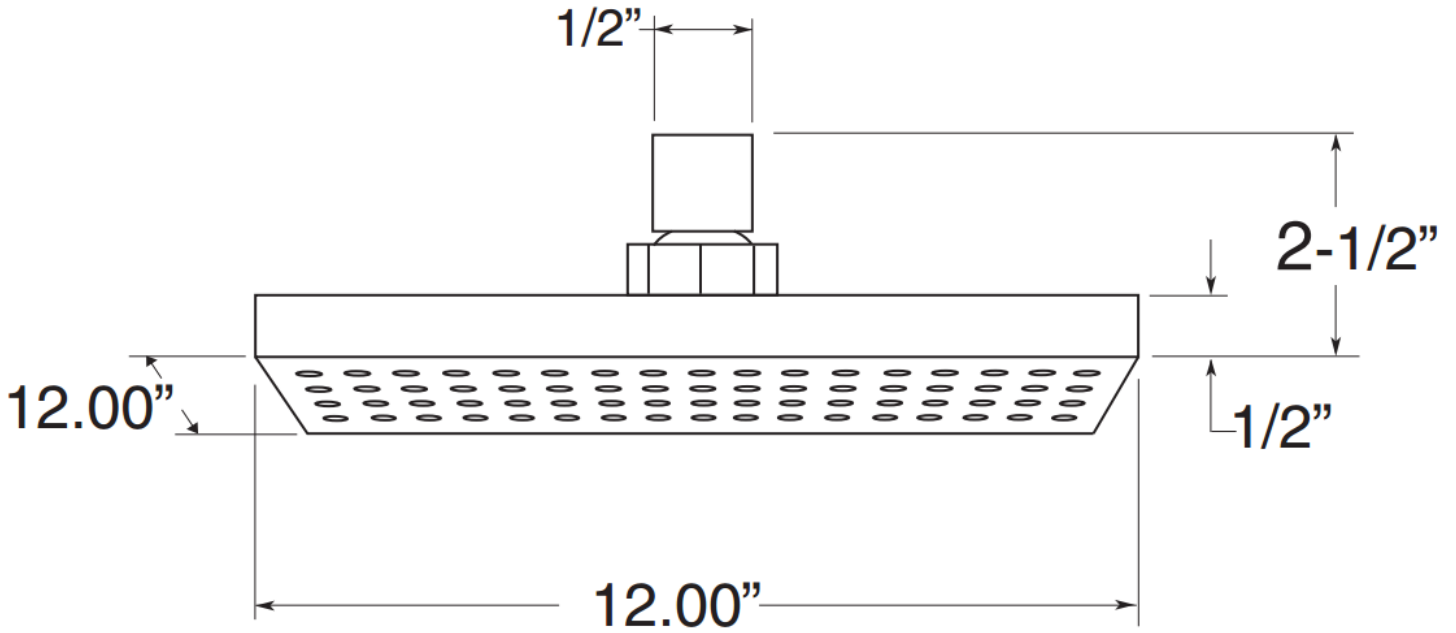




PRODUCT SPECIFICATIONS

Jan 2016

12" Shower Head
SF-SHW-10-088



- ADA Compliant
- Custom finishes available

Connection	1/2"
GPM	2.0