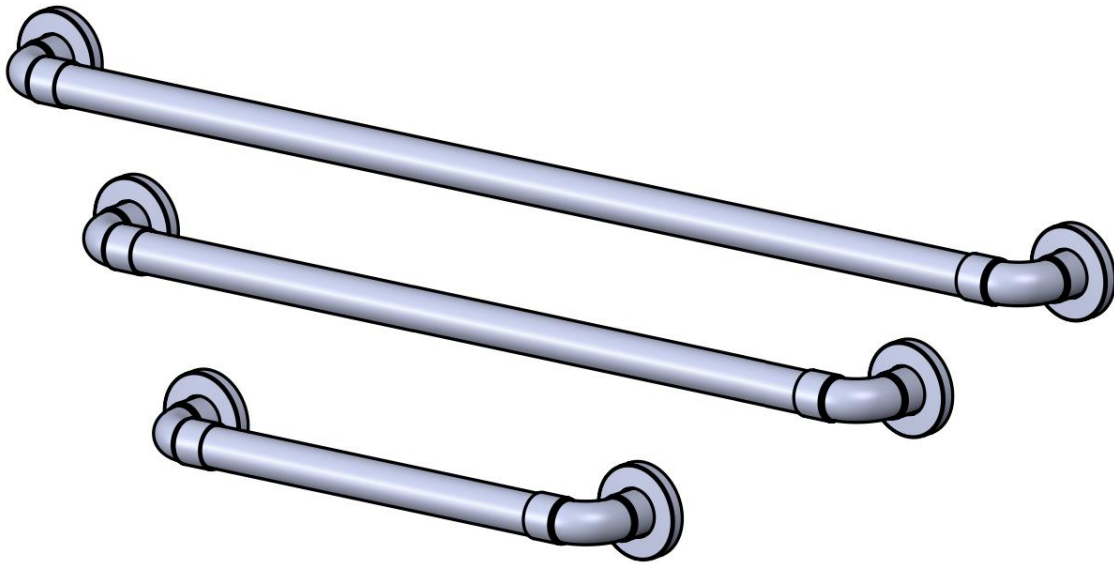




PRODUCT SPECIFICATIONS

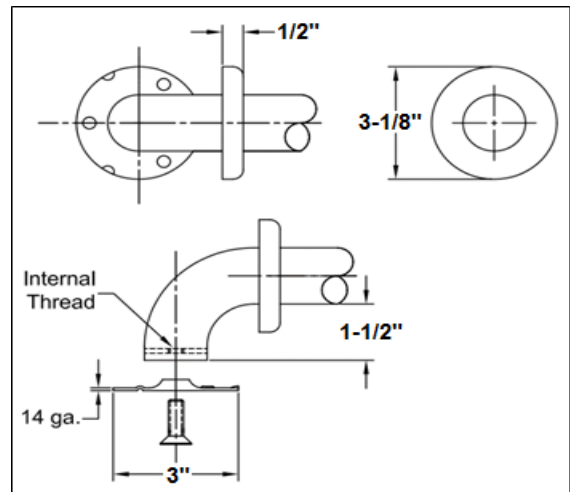
Waterbridge Grab Bars

Apr 2017



Concealed Mounting Bracket Detail

C-C	Part #
12"	WB-ACC-GB12
18"	WB-ACC-GB18
24"	WB-ACC-GB24
30"	WB-ACC-GB30
36"	WB-ACC-GB36
42"	WB-ACC-GB42
48"	WB-ACC-GB48



- Includes #10 x 3" stainless steel wood screws
- 1-3/8" O.D. bar
- 3-1/8" O.D. flanges
- 1-1/2" clearance from wall to inside of bar
- ADA compliant - Exceeds federal weight load requirement of 250 lb/f