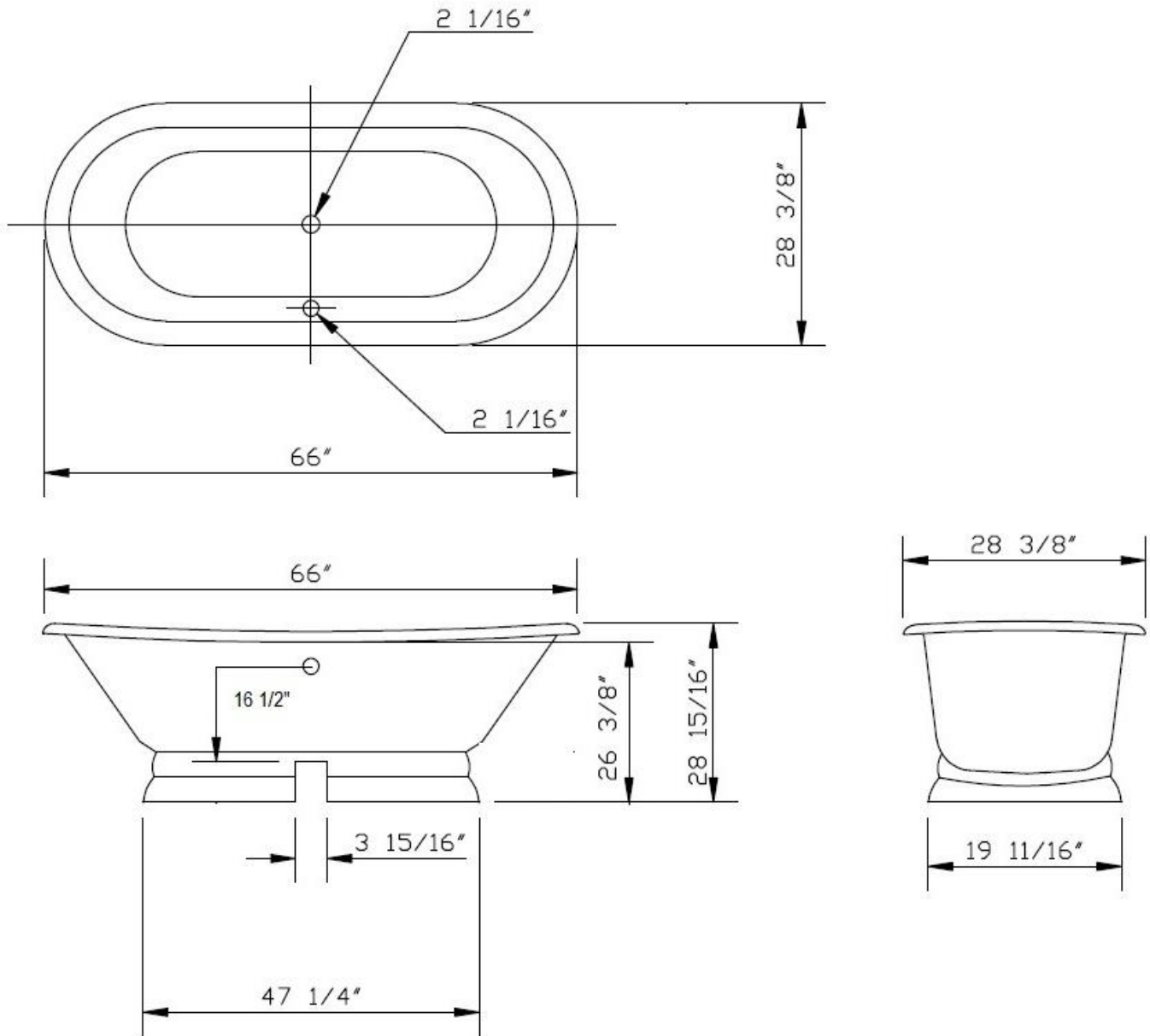




STROM
L I V I N G

Ph: (916) 638-2722 / Fax: (916) 638-2725

Tub Specifications – Cast Iron Double Ended Tub on Pedestal - P1176



	VOL	WEIGHT UNCRATED / CRATED
P1176	72	396 / 496