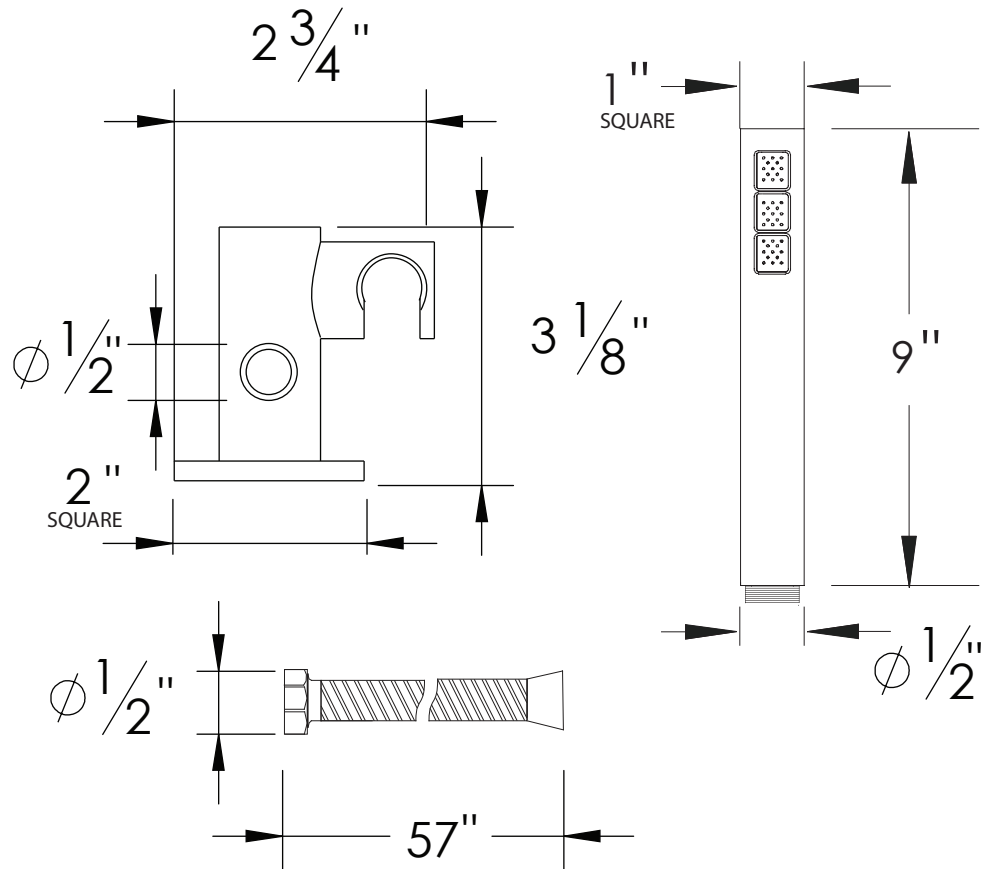


PRODUCT SPECIFICATION SHEET

ITEM # 708315

Hand shower set with adjustable bracket and outlet

- 1/2" NPS male outlet
- 1/2" NPT female inlet
- 2.5 GPM (CA 2.0 GPM - CALGreen Compliant)
- Single function sprayer
- Hose included



The measurements shown are for reference only. Products and specifications shown are subject to change without notice.