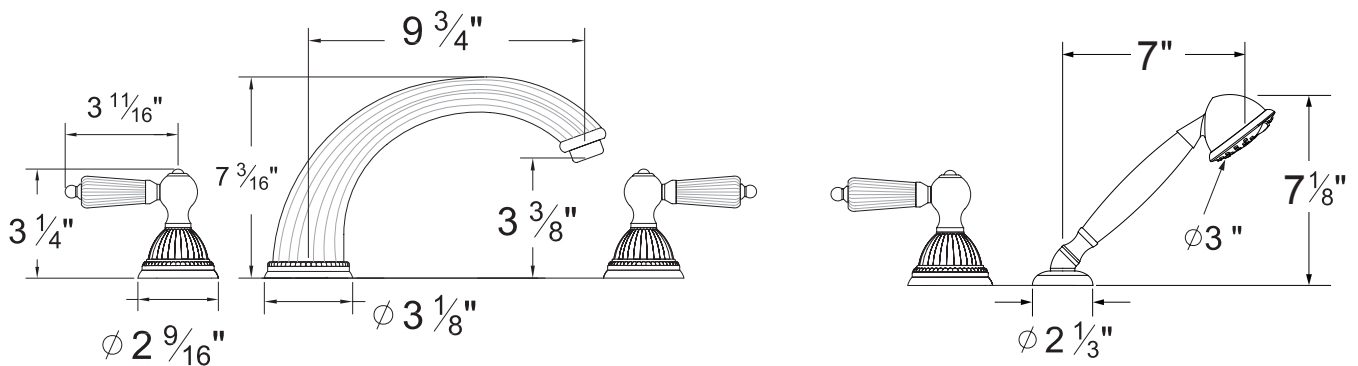


PRODUCT SPECIFICATION SHEET

ITEM # 1155LL
TRIM
Roman tub filler with hand shower



- "LL" style handles
- Includes backflow preventor
- Single function sprayer
- 16 GPM
- ROUGH NOT INCLUDED
- USE P0007 ROUGH



The measurements shown are for reference only. Products and specifications shown are subject to change without notice.