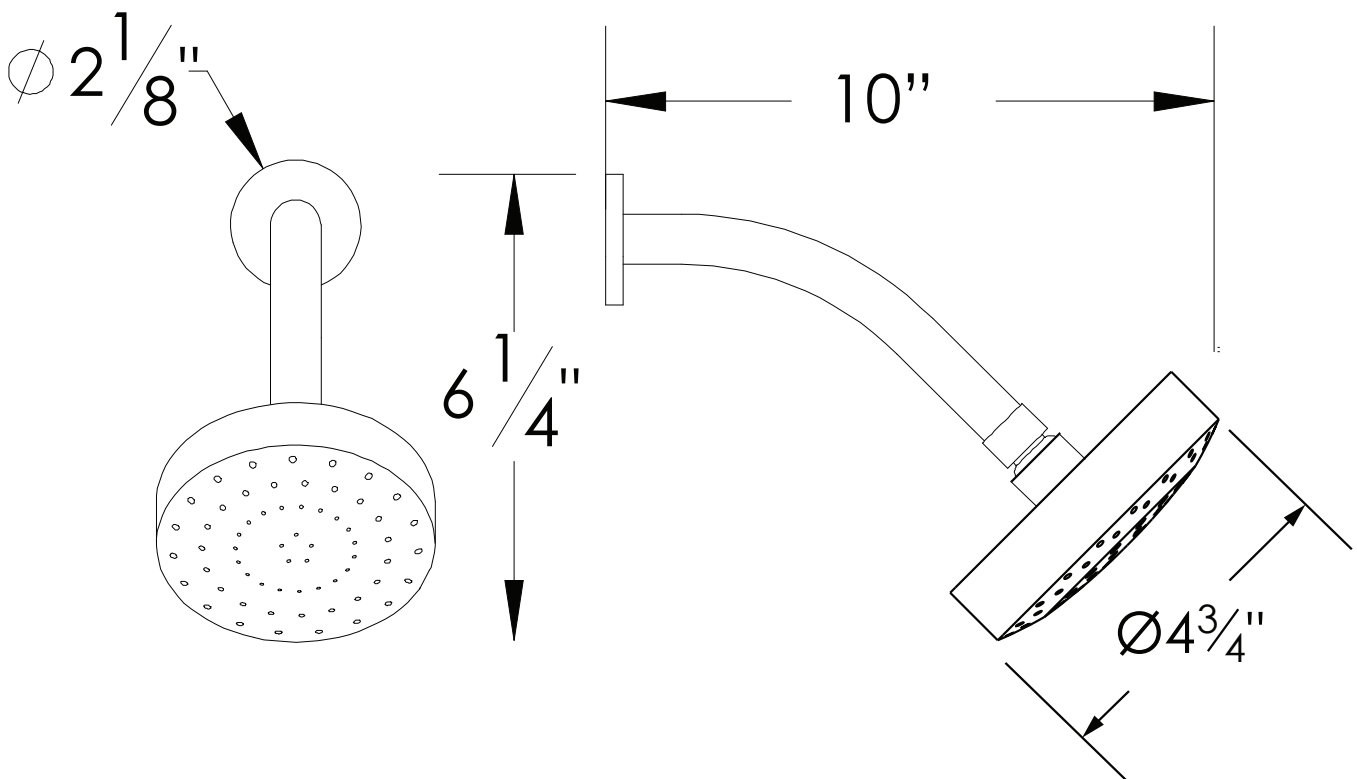


## PRODUCT SPECIFICATION SHEET

### ITEM # 707950

#### Aerated shower head with arm and flange

- 1/2" NPT male connection
- 2.5 GPM
- Includes flow restrictor (CA 2.0 GPM CAL GRN compliant)



The measurements shown are for reference only. Products and specifications shown are subject to change without notice.