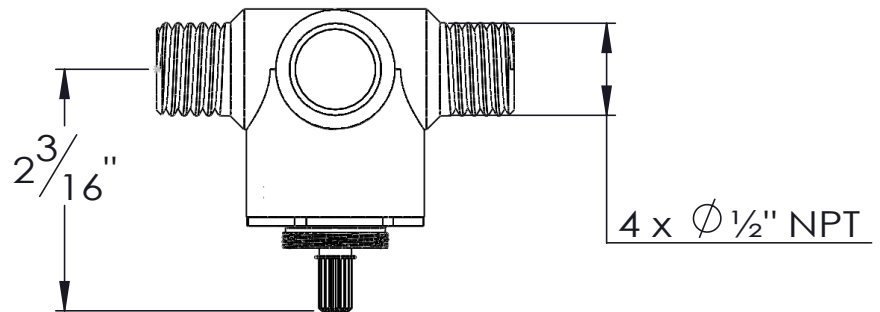
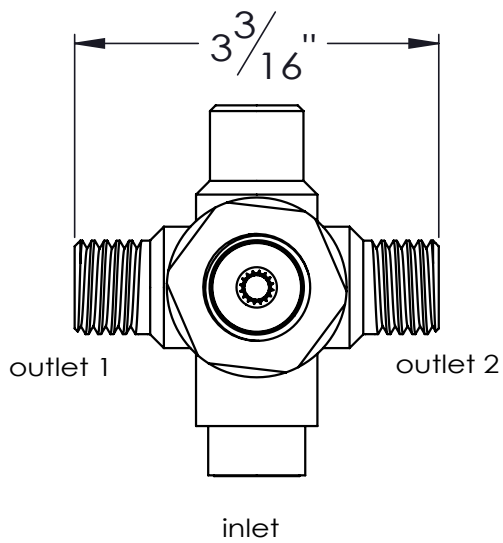


## PRODUCT SPECIFICATION SHEET

### ITEM # ST2WAY20 2-Way wall mount diverter (Non-shared function)

- One 1/2" NPT inlet port
- Two 1/2" NPT outlet ports
- HANDLE TRIM NOT INCLUDED



The measurements shown are for reference only. Products and specifications shown are subject to change without notice.