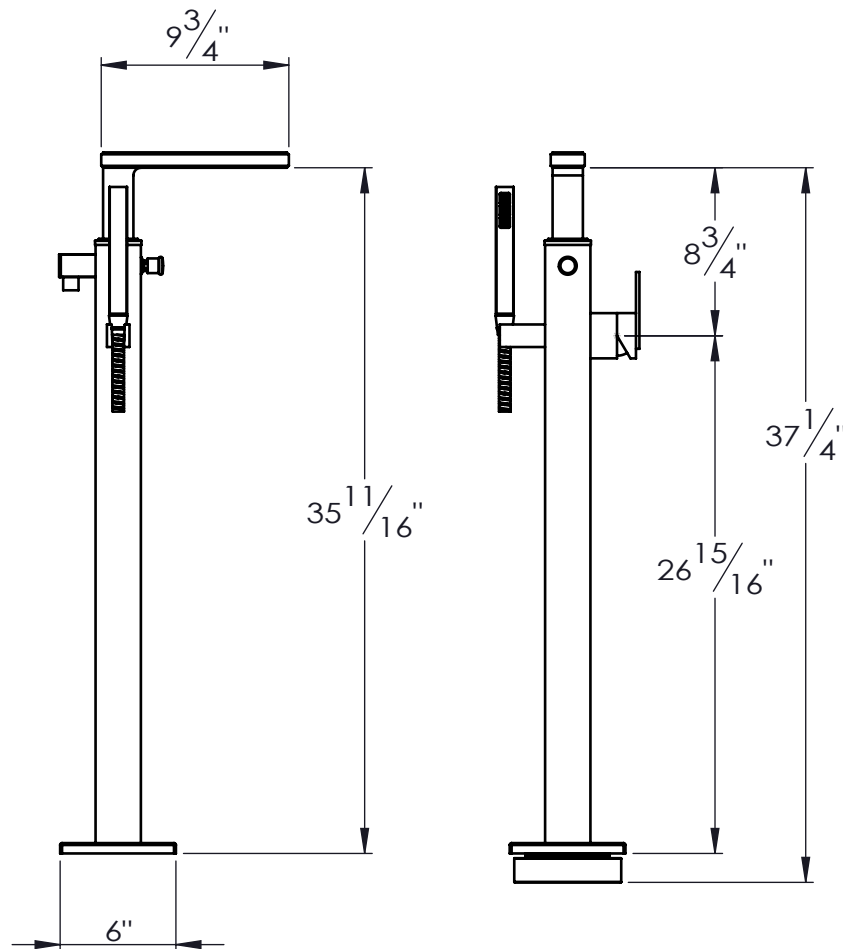
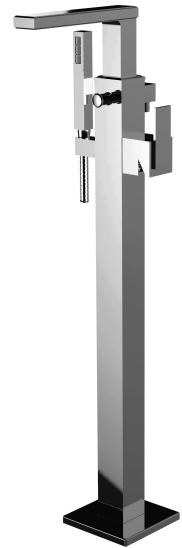


## PRODUCT SPECIFICATION SHEET

### ITEM # 2494MC-TM TRIM Floor mount tub filler with hand shower

- "MC" style handle
- 12 GPM
- Hand shower is 1.8 GPM
- Hand shower hose 57" long
- USE P0800 ROUGH
- ROUGH NOT INCLUDED
- Includes back flow preventer
- Maximum PSI 80



The measurements shown are for reference only. Products and specifications shown are subject to change without notice.