



**KEEP THIS INSTRUCTION BOOKLET FOR FUTURE REFERENCE**

# Rough

---

**WARNING: FAILURE TO FOLLOW THESE INSTRUCTIONS, OR IMPROPER OPERATION, MAY DAMAGE THE VALVE AND VOID THE WARRANTY.**

**IMPORTANT:** Do not remove the control spindle cover until instructed. Accidentally turning the control spindle will change the temperature setting, which is pre-calibrated from the factory.

Remove the large plastic mud guard from valve. **DO NOT** discard plastic mud guard.

Install the tub plug into the bottom outlet. Leave it unplugged if including a tub spout. For details and diagrams of different shower/tub schemes, see the Installation Options section.

Completely flush the lines of all dirt and debris (metallic shavings, flux, etc.) prior to installing the thermostatic valve to the supply lines.

**IMPORTANT: DO NOT SOLDER DIRECTLY TO THE VALVE. THIS WILL DAMAGE THE SERVICE/CHECK STOPS AND THE TEMPERATURE CONTROL ELEMENT. USE TEFLON TAPE OR PLUMBER'S PIPE COMPOUND TO SECURE ALL CONNECTIONS TO THE VALVE.**

Connect the **HOT** water supply to the left inlet of the valve (**RED**) and **COLD** supply to the right inlet of the valve (**BLUE**). See Diagram A.

Secure valve position in the wall using min/max adjustment limits. For backset measurements see Diagram B.

Connect the top outlet pipe to shower connections and bottom outlet pipe to tub spout (depending on the shower/tub scheme chosen).

Remove the plastic control spindle cover and install the Temperature Limiter with the "red mark" positioned exactly at 12 o'clock. Remember to not turn the control spindle while installing the Temperature Limiter.

Re-install the large plastic mud guard back onto the valve and do not remove it until trim arrives.

# Trim

## Parts Breakdown

- |                    |                    |              |
|--------------------|--------------------|--------------|
| 1. Plate           | 5. Dial            | 9. Allen Key |
| 2. Flange          | 6. Screw           |              |
| 3. Sleeve          | 7. Handle Assembly |              |
| 4. Silicone Washer | 8. Set Screw       |              |

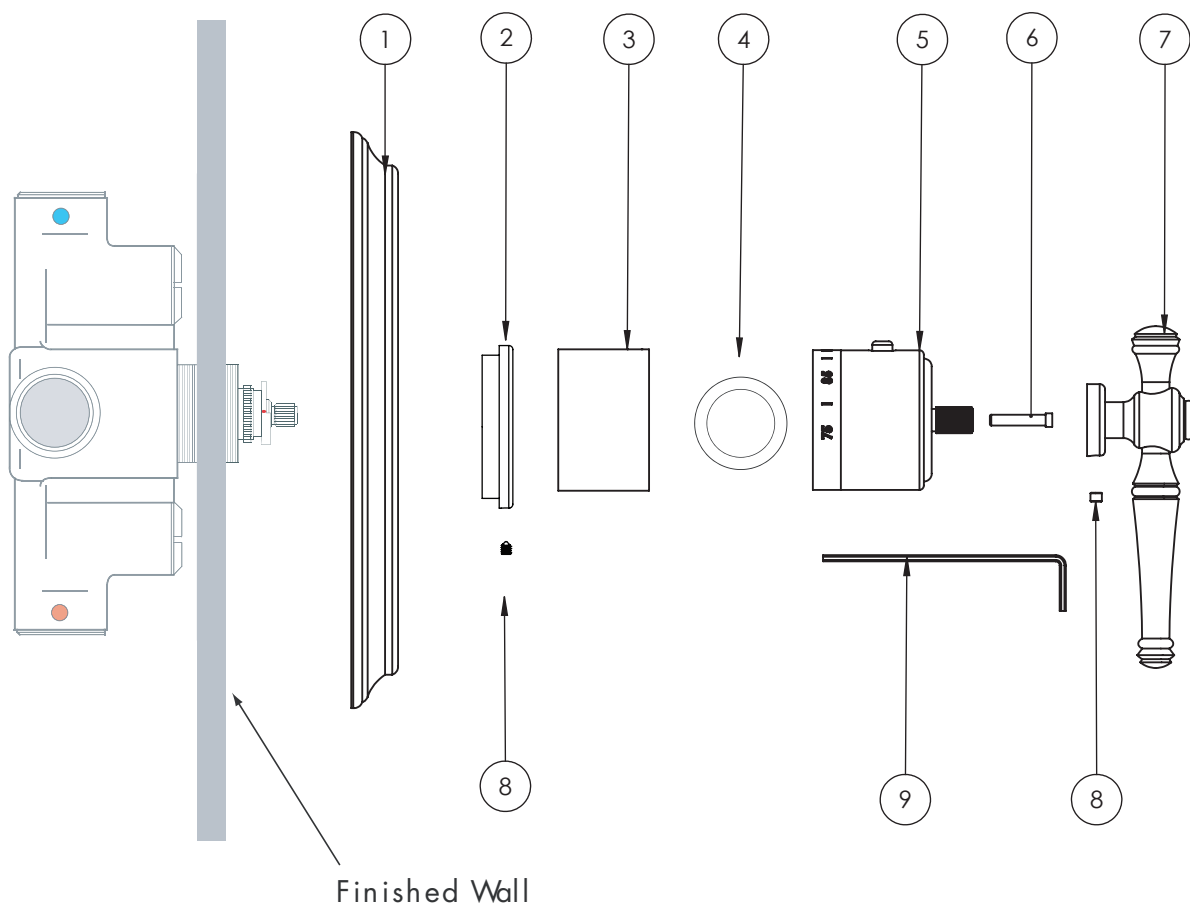


Diagram A

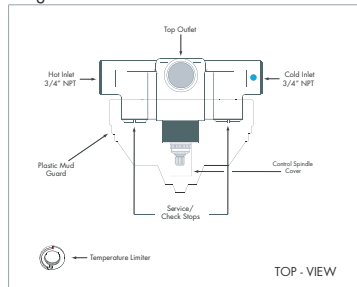
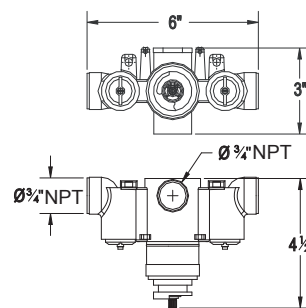
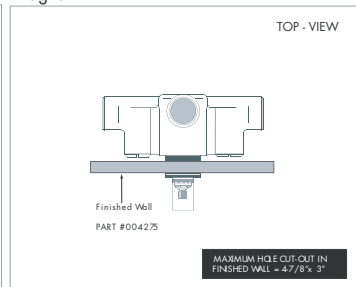


Diagram B

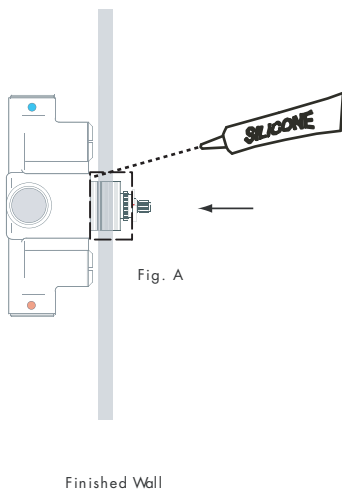


# Trim Visual Installation

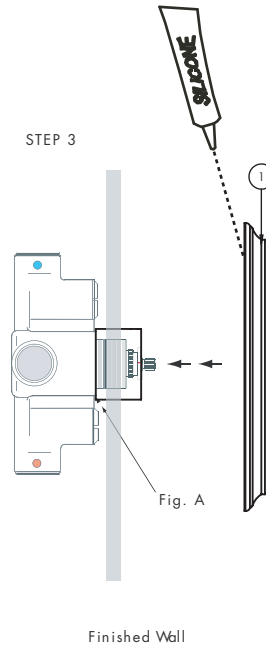
STEP 1



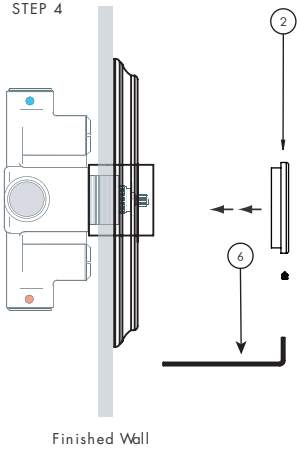
STEP 2



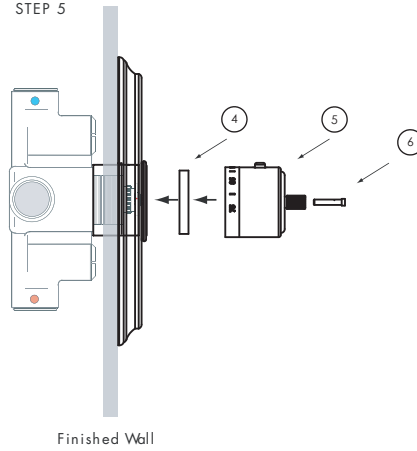
STEP 3



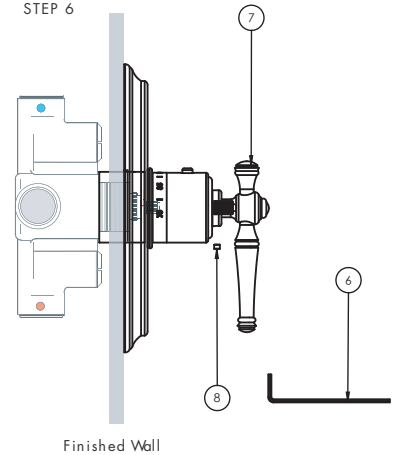
STEP 4



STEP 5



STEP 6



# Trim

---

## Installation

**IMPORTANT:** Do not turn control spindle. Accidentally turning the control spindle will change the temperature setting, which is pre-calibrated from the factory.

Remove plastic mud guard.

STEP 1: Slip the sleeve onto the valve.

STEP 2: Place silicone caulk around the lower perimeter of where the sleeve meets the valve (Fig. A ). Then push back until sleeve is flush against the valve.

STEP 3: Place silicone caulk around the rear perimeter of the trim plate and slip the trim plate over the installed sleeve.

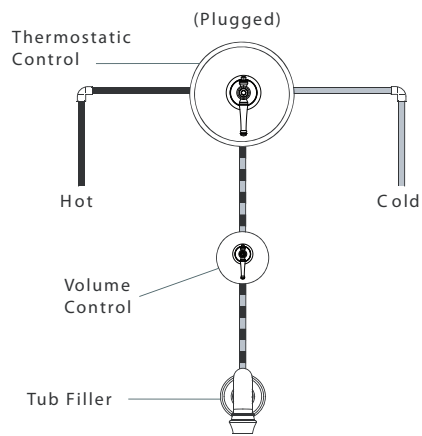
STEP 4: Slip the flange over the sleeve and onto the plate and tighten set screw with provided allen wrench.

STEP 5: Making sure that the button is exactly at the 12 o'clock position, align the dial over the sleeve and valve control spindle. Insert screw into dial and tighten just firm enough to allow the dial to turn freely. Do not overtighten.

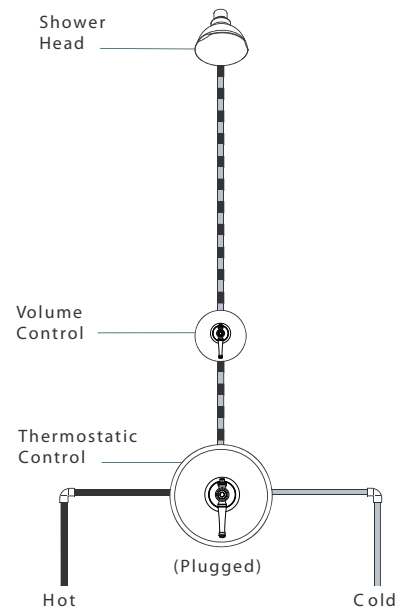
STEP 6: Now that the sleeve, plate, and dial are installed, place the handle assembly onto the dial. Secure the handle with the set screw and tighten using the provided allen wrench.

# Installation Options

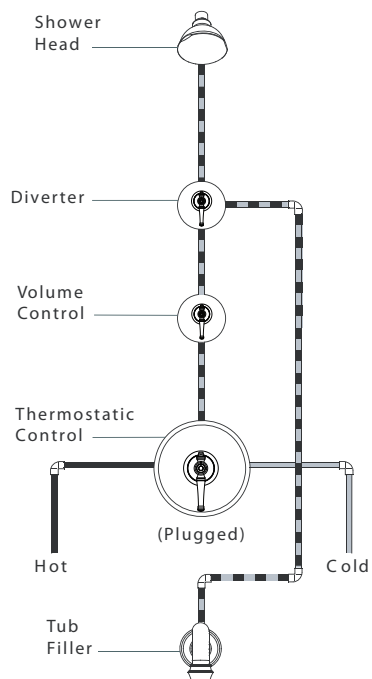
## Tub Filler



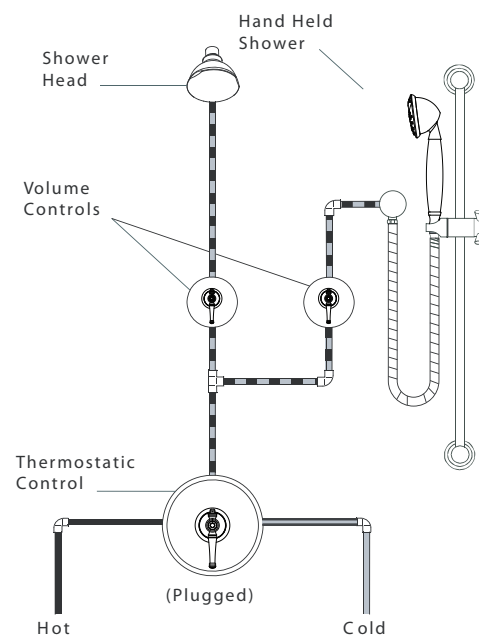
## Shower



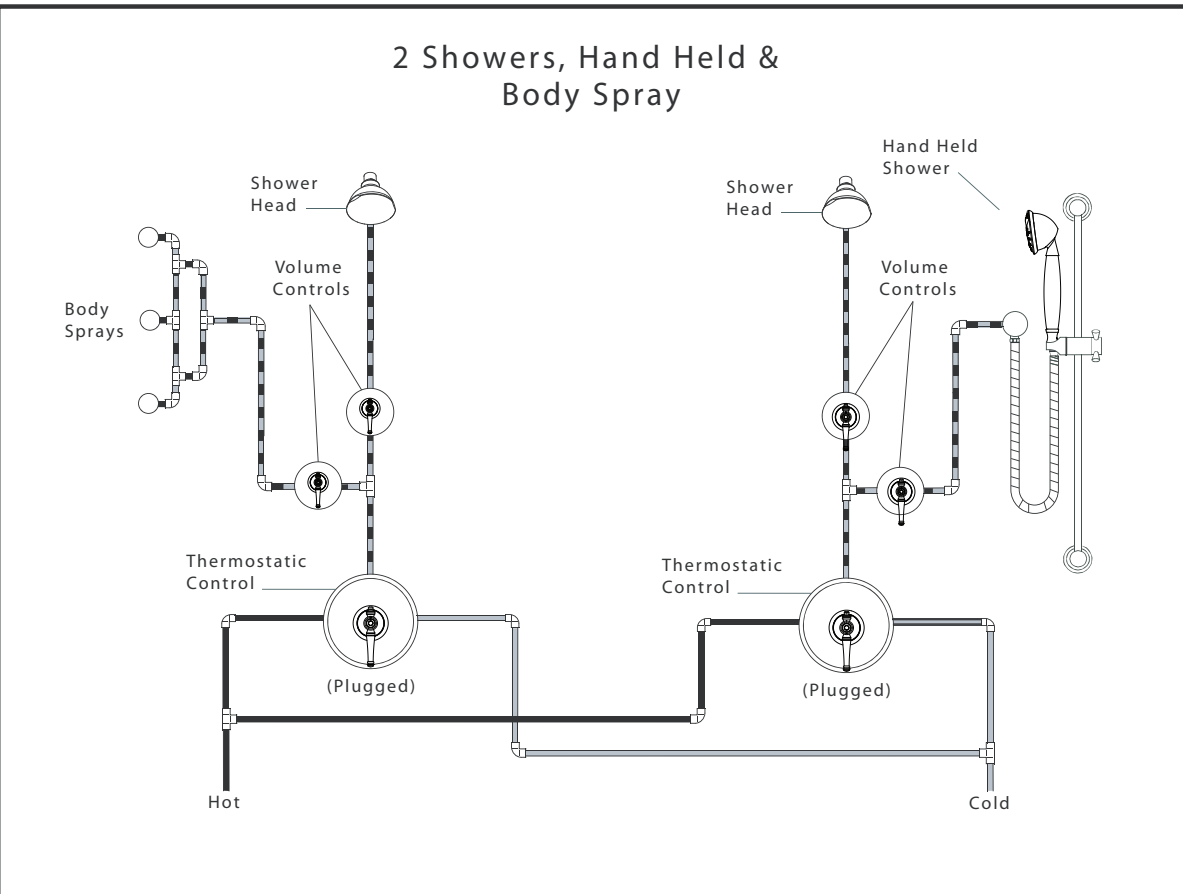
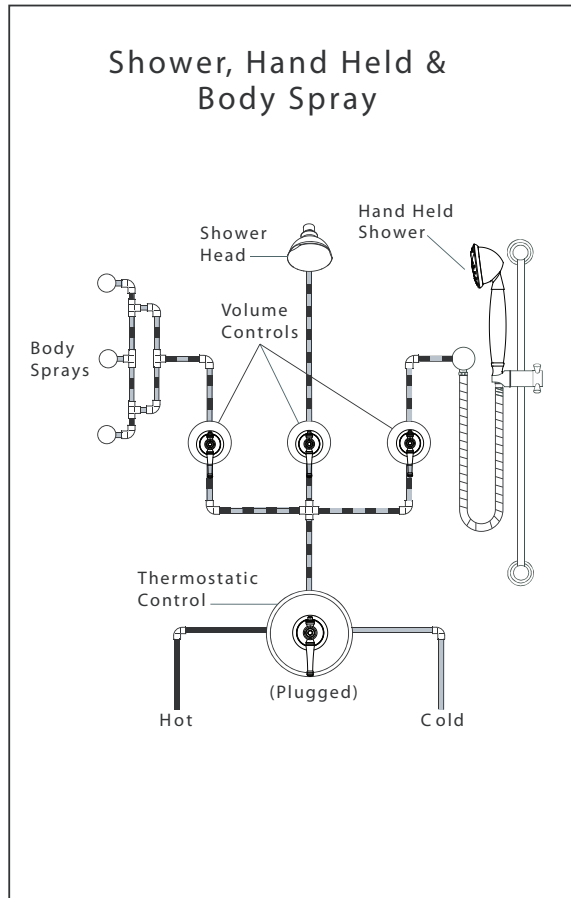
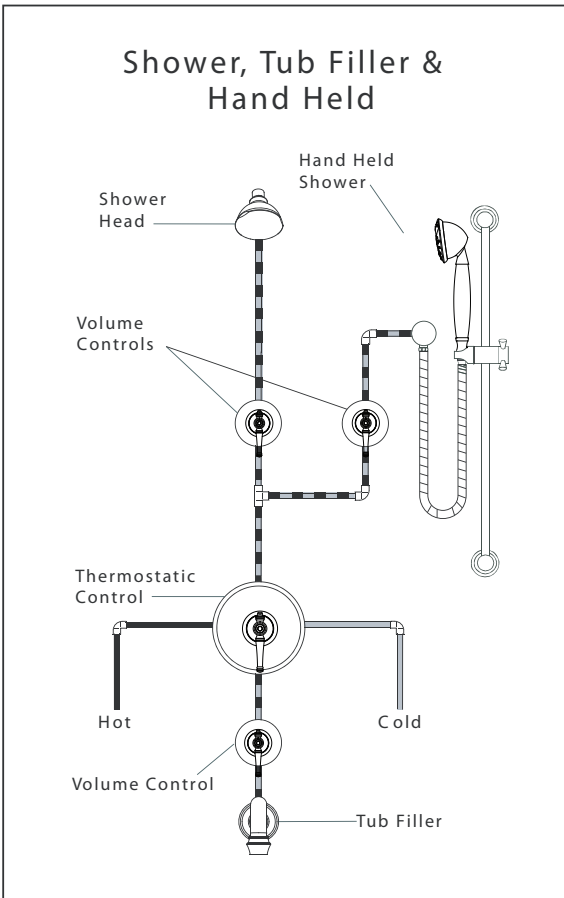
## Shower & Tub Filler



## Shower & Hand Held



# Installation Options



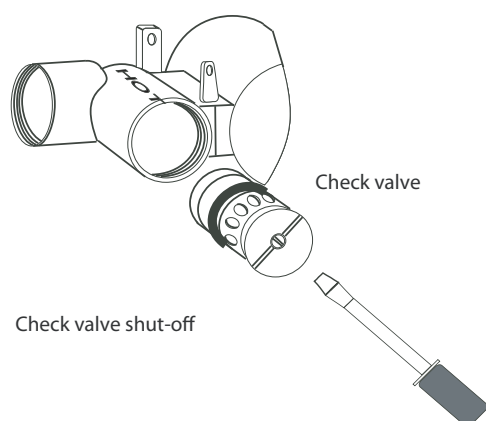
# Maintenance

---

## Filter Cleaning

DURING THE INSTALLATION OR THROUGH THE YEARS OF USE, DEBRIS AND IMPURITIES MAY CLOG THE FILTERS IN THE BOTH INLETS, CAUSING THE WATER TO BE RESTRICTED OR DECREASED CONSIDERABLY.

Please follow these instructions to clean the filters:



Shut off the water supply.

Remove the dial cap, screw, and dial.

Remove remaining assembly by carefully applying a plumber's wrench to the outside of the sleeve and turn counter-clockwise.

Remove nut from sleeve and then remove the plates from the wall.

Flush the debris with water. If necessary, soak in a 50/50 mix of white vinegar/water until all dirt is dissolved.

Oil the O-rings with vegetable oil and wipe the housing with a wet cloth before reassembling.

Reinstall the valves.

To fully open the water flow through the valve, make sure the check valve shut off mechanism is fully open (Turn the mechanism counter-clockwise to increase the water flow).



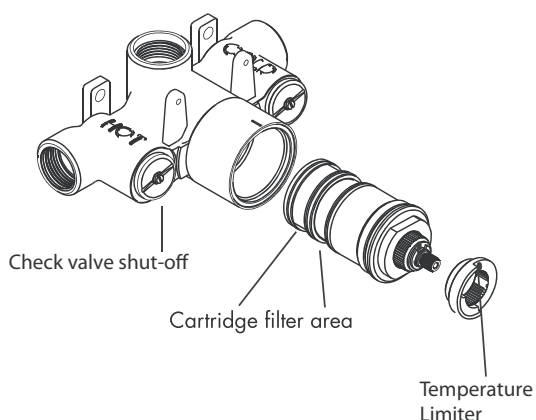
# Maintenance

---

## Cartridge Cleaning

AFTER YEARS OF USE, IMPURITIES AND LIME SCALE CAN RESTRICT THE WATER FLOW.

Please follow these instructions to clean the cartridge:



Remove the dial cap, screw, and dial.

Remove remaining assembly by carefully applying a plumber's wrench to the outside of the sleeve and turn counter-clockwise.

Remove nut from sleeve and then remove the plates from the wall.

Shut off the water line by turning the check valve shut off mechanism clockwise. Make sure that both hot and cold sides are closed.

Gently remove the cartridge using a 24MM wrench or an adjustable wrench.

Wash the filter under running water. If necessary, soak in a 50/50 mix of white vinegar/water until all dirt is dissolved.

Oil the O-rings with vegetable oil and wipe the housing with a wet cloth before reassembling.

Carefully reassemble the cartridge.

Open the water flow by turning the check valve shut off mechanism counter-clockwise and check water flow.

If the water flow is normal, reassemble the trim (see "Trim" section for installation and proper positioning of the thermostatic settings).

# Specifications

---

## General Characteristic

SANTEC thermostatic valves are suitable for most water heater systems, provided that it is installed correctly.

Low pressure storage heaters are not recommended for this application.

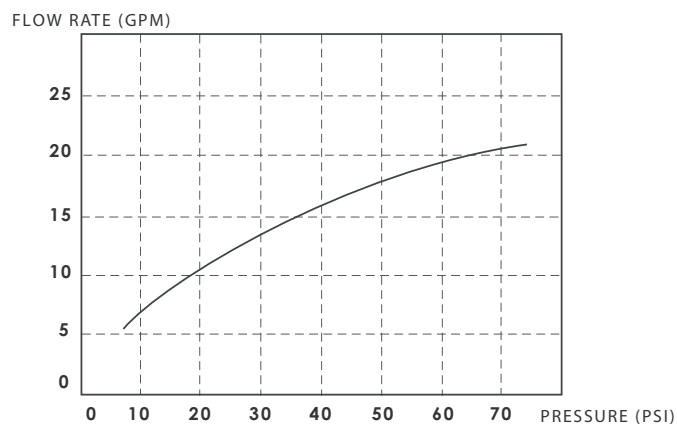
NOTE. This valve model does not have an integral volume control. Separate volume control units are required.

## Specifications

### Temperature

|                        |                 |
|------------------------|-----------------|
| Maximum temperature    | 185 °F          |
| Temperature dial range | 50 °F to 149 °F |
| Temperature limiter    | set at 100 °F   |

### Flow rate chart



### Operation Pressure

|         |          |
|---------|----------|
| Minimum | 1.45 PSI |
| Maximum | 72.5 PSI |

NOTE. For pressure greater than 75 PSI, a pressure reducing valve is required.



## FINISH CARE INFORMATION

**WARNING** : Do not clean your SANTEC product with ammonia (Window cleaner), bleach, soaps, acids, abrasives, harsh polishes, harsh cleaners, a coarse surfaced cloth, coarse sponge, or any type of scouring pad. Doing so may ruin your faucet finish and/or void the warranty.

Thank you for making SANTEC a part of your lifestyle and luxury spa experience. Our products have been created as works of enduring quality and sophisticated design. Luxurious finishes need proper care and attention, so in order to understand how to properly clean your distinctive luxury finish please refer to the Finish Care Information below:

Your SANTEC product can be identified in one of two categories: clear coated finishes or non-clear coated finishes. Clear coated finishes are more scratch-sensitive and are more reactant to harsh cleaning chemicals than non-clear coated finishes. Once you have identified the specific luxury finish of your SANTEC product, please follow the important corresponding care instructions.

### CLEAR COATED FINISHES

**Polished & Satin 24K Gold** : The Karat mark states the percentage of pure gold -- 24K is 100 percent gold. As one of the Earth's most precious metals, gold is the most supple and malleable of all metals. Gold-plated faucets scratch easily. To clean, wipe down with a dry soft cloth after each use. Gold surfaces should be coated with a thin layer of non-abrasive carnauba wax or liquid car wax up to 3 or 4 times per year. This will prevent water spotting and water deposit buildup. We recommend using SANTEC's Polish which has been formulated to clean and seal, leaving behind a protective coating that will resist tarnishing and improve water repellency.

**Antique Bronze** : Antique bronze simulates the antiquity of Old-World craftsmanship with a golden base color and a blend of dark undertones. To clean, wipe down with a dry soft cloth after each use. Antique Bronze should be coated with a thin layer of non-abrasive carnauba wax or liquid car wax up to 3 or 4 times per year. We recommend using SANTEC's Polish which has been formulated to clean and seal, leaving behind a protective coating that will resist tarnishing and improve water repellency.

**Oil Rubbed Bronze** : Oil-rubbed bronze simulates the antiquity of Old-World craftsmanship with its warm, dark brown color and copper undertones. To clean, wipe down with a dry soft cloth after each use. Oil-rubbed bronze should be coated with a thin layer of non-abrasive carnauba wax or liquid car wax up to 3 or 4 times per year. We recommend using SANTEC Polish which has been formulated to clean and seal, leaving behind a protective coating that will resist tarnishing and improve water repellency.

### NON-CLEAR COATED FINISHES

**Polished Chrome**: Chrome plating is extremely reflective, with a rich bluish luster. To clean, wipe down with a dry soft cloth after each use. A non-abrasive all-metal cleaner can then be applied to restore the shine. The surface can also be coated with a thin layer of non-abrasive carnauba wax or liquid car wax. This will prevent water spotting and water deposit buildup. We recommend using SANTEC's Polish which has been formulated to clean and seal, leaving behind a protective coating that will resist tarnishing and improve water repellency.

**Polished and Satin Nickel**: To clean, wipe down with a dry soft cloth after each use. A non-abrasive all-metal cleaner can then be applied to restore the shine. The surface can also be coated with a thin layer of non-abrasive carnauba wax or liquid car wax. This will prevent water spotting and water deposit buildup. We recommend using SANTEC's Polish which has been formulated to clean and seal, leaving behind a protective coating that will resist tarnishing and improve water repellency.



## LIFETIME LIMITED WARRANTY

SANTEC is committed to enhancing your bathroom experience by creating luxury products that will provide enduring satisfaction. Every effort has been made to satisfy the highest standards of design and production, to create lasting peace of mind for our customers. We provide the following limited warranties on our products:

### LENGTH OF WARRANTY & WHO IS COVERED BY OUR WARRANTY

This warranty extends to the original consumer purchaser only and extends for as long as the original purchaser owns the product and the home in which the product is installed.

### WHAT IS COVERED BY OUR WARRANTY

1. **Finishes:** Santec Polished Chrome, Polished Nickel and Satin Nickel finishes carry a Lifetime Limited warranty against manufacturing defects and tarnish to the original purchaser with the exclusion of kitchen drain assemblies which, due to the nature of their use, are not warranted. Santec recommended custom finishes carry a ten (10) years limited warranty against manufacturing defects and tarnish to the original purchaser with the exclusion of kitchen and pop-up drain assemblies which, due to the nature of their use, are not warranted. Kitchen products carry a three (3) year limited warranty.
2. **Cartridges:** Santec Cartridges carry a lifetime limited warranty against manufacturing defects for the life of the product to the original purchaser.
3. **Parts:** Santec parts carry a ten (10) year limited warranty against manufacturing defects, to the original purchaser. Kitchen products carry a five (5) year limited warranty.

### EXCLUSIONS AND LIMITATIONS OF WARRANTY

This warranty does not cover:

1. Damage due to negligence, accident, abuse, improper installation, or improper maintenance such as, but not limited to: heat from soldering during installation, the use of plumber's putty, damage from tools used during installation, the use or exposure to chemicals or cleaning products either abrasive or non-abrasive, or the use of any cleaning tool or product other than a soft, clean cloth. Reverse osmosis may also shorten the life of the finish.
2. Changes in the finish or in the product due to normal wear or aging does not cover any products or parts which have been altered or used in a manner not typical for the product.
3. Loss, damages, or expense, incidental or consequential whatsoever, originating from the purchase, installation, use, repair, failure, or replacement of any SANTEC product or part, allowed by law.
4. Commercial and/or Industrial installations and use of the product.
5. This warranty does not include labor, travel charges, or any costs incurred for repair, removal, installation, servicing, diagnosing, or handling of either defective or replacement parts.

The product or components of the covered product will be repaired, refinished, or replaced, at the sole discretion of SANTEC. SANTEC reserves the right to examine any product claimed defective prior to any warranty claim being accepted or processed, at its sole discretion. This warranty gives you specific legal rights and you may have other rights which may vary from state to state.

### TO OBTAIN WARRANTY SERVICE

Please read 'WHAT IS COVERED BY OUR WARRANTY' and 'EXCLUSIONS AND LIMITATIONS OF WARRANTY' sections to understand what is and what is not covered. Please have ready the proof of purchase (original sales receipt), description of the problem, and carefully package the product or defective part with postage prepaid. Then, please contact your local SANTEC Showroom or write to SANTEC Technical Services.

Access should be provided to the roman tub valves for future service or repair to valves and piping. Under no circumstances will Santec Faucet, Inc. be liable for any costs associated with the removal of materials for future access to the tub valves or piping for service or repair.