

# SANTEC

FLUID IMAGINATION



## 1/2 " Thermostatic trim Installation Instruction

**1/2" Thermostatic trim with  
Volume control/TH-8000  
2-Way diverter /TH-8200, TH-8202  
3-Way diverter/TH-8300, TH-8303**

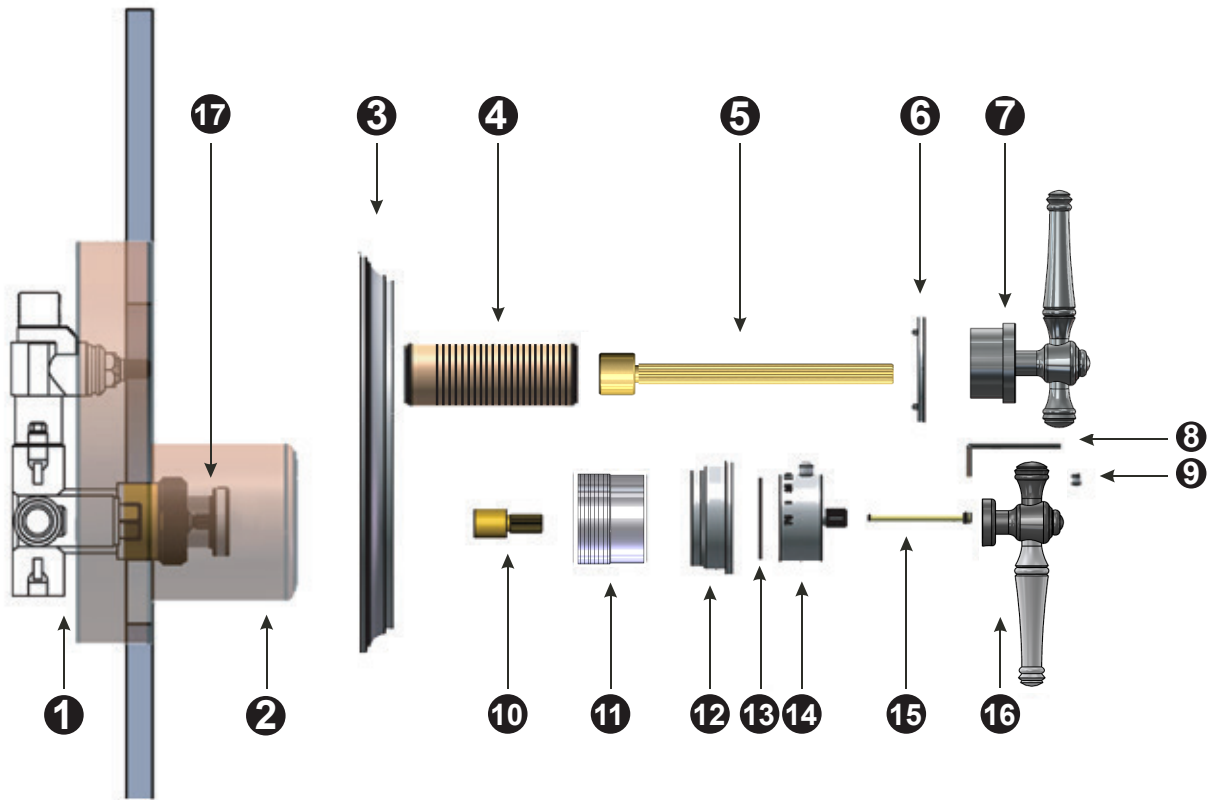
**KEEP THIS INSTRUCTION BOOKLET FOR FUTURE REFERENCE**

æa dcfhUbh . D`YUgY` fY[ ]ghYf` mci f` dfcXi Wfi cb`]bY` Uhi k k k "gUbhYVZUj WWhVæa`  
k ]H ]b` ` \$` XUng` cZ di fW UgY" GUbhYW fYgYfj Yg` h Y f][ \ h hc` fYei Ygh UXX]h]cbU`  
XcW a Ybhg`VYZcfY`gYfj ]W]b[ warranty`fYei Yghg"

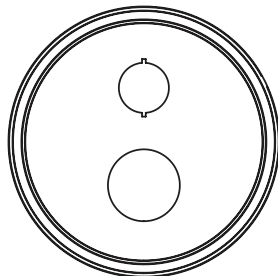
G5 BH97 ` Ug`h Y`f][ \ h hc` a U\_Y`bYWWggUfmXYg][ b`W Ub[ Yg`k \ Yn applicable"

†æ`i gfh Uh]cb`a UmibchXYd]Whi UWhi al dfcXi Wgh

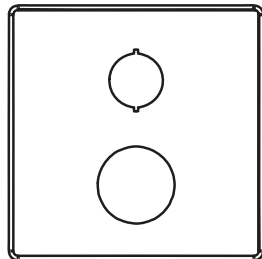
# 1/2" THERMOSTATIC VALVE AND TRIM



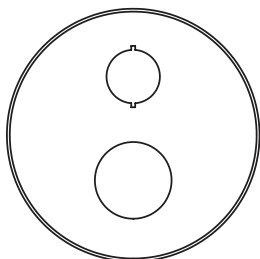
\* Please specify the finish when ordering the part.



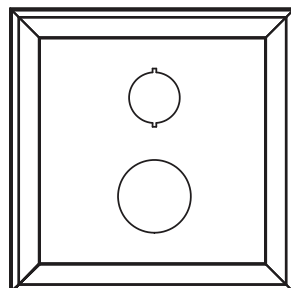
PH9707



PH9710



PH9711



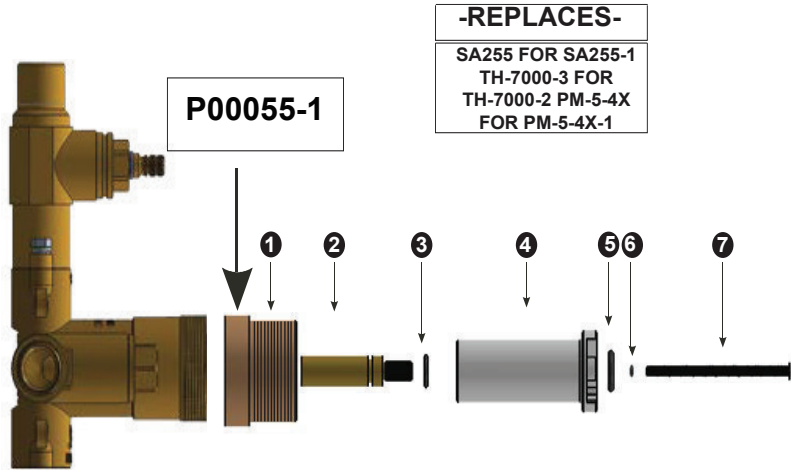
PH9708

	Part Description	Part #
1	<b>Complete Thermostatic Valve</b>	TH-8000/8200/8300
2	<b>Mud Guard</b>	TH-7000-1
3	<b>Plate</b>	PH9711, PH9707, PH9708, PH9710
4	<b>All Thread Extension</b>	PM-1179
5	<b>20T Broach Extension</b>	SA235
6	<b>Diverter Ring</b>	PH9700/9700-1/9701
7	<b>On/Off Handle Assembly</b>	-VARIES-
8	<b>Allen Key</b>	PM-033
9	<b>Set Screw</b>	PM-027
10	<b>Broach Extension</b>	SA255
11	<b>Thermostatic Threaded Sleeve</b>	P00019
12	<b>Thermostatic Flange</b>	P00018
13	<b>Teflon Washer</b>	PM-831
14	<b>Thermostatic Dial</b>	PH9712
15	<b>Long Stem Screw</b>	PM-5-4X
16	<b>Thermostatic Handle</b>	-VARIES-
17	<b>Temperature Restrictor</b>	TH-7000-3

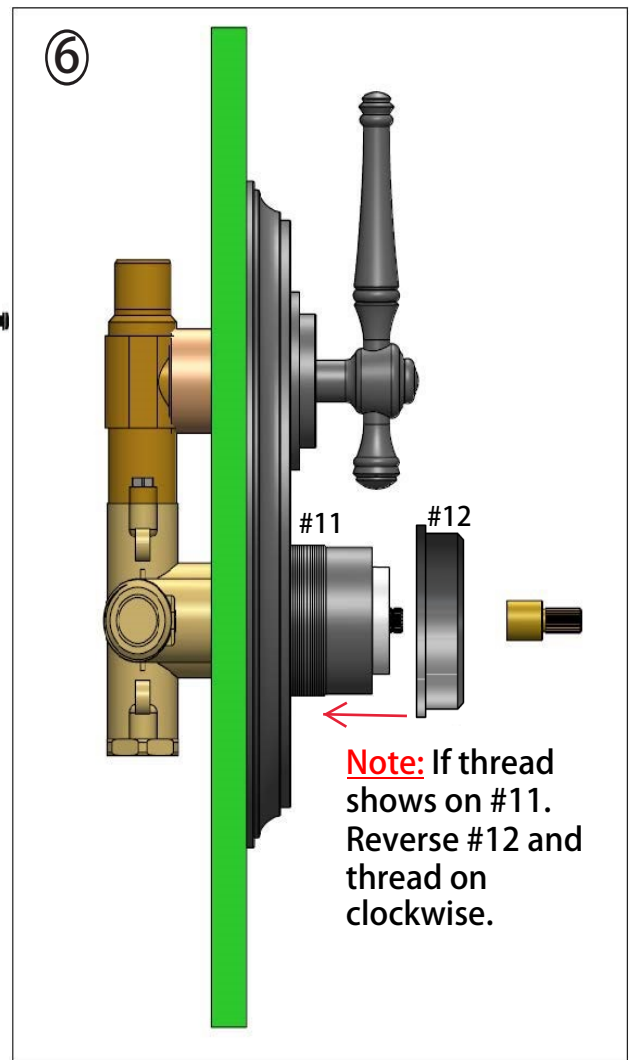
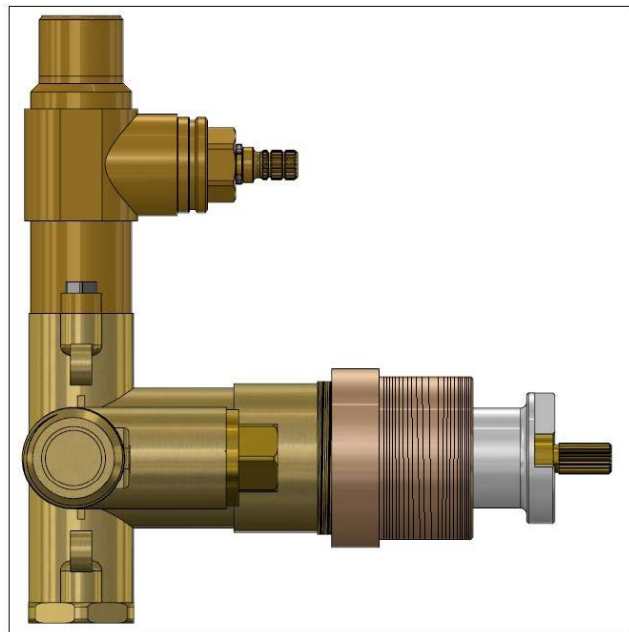
# 1/2" THERMOSTATIC EXTENSION KIT

If the valve is roughed too far into the wall, please use the extension kit provided in the clear plastic bag. To install this kit, first thread part P00055-1 onto the valve. The remaining parts in the kit can be cut to fit based on the depth the valve is in the wall. This extension kit can cover up to 0.845" into the wall.

ITEM NO.	PART NUMBER	DESCRIPTION	QTY.
1	P00055-1	Threaded Sleeve Extension	1
2	SA255-1	Broach for TH-7000 Extension Kit	1
3	PM-1215	O-Ring for SA255-1	1
4	TH-7000-2	Plastic Temperature Restrictor for TH-7000 Extension Kit	1
5	PM-1216	O-ring for TH-7000-2	1
6	PM-344	O-ring	1
7	PM-5-4X-1	Screw for TH-7000 Extension Kit	1



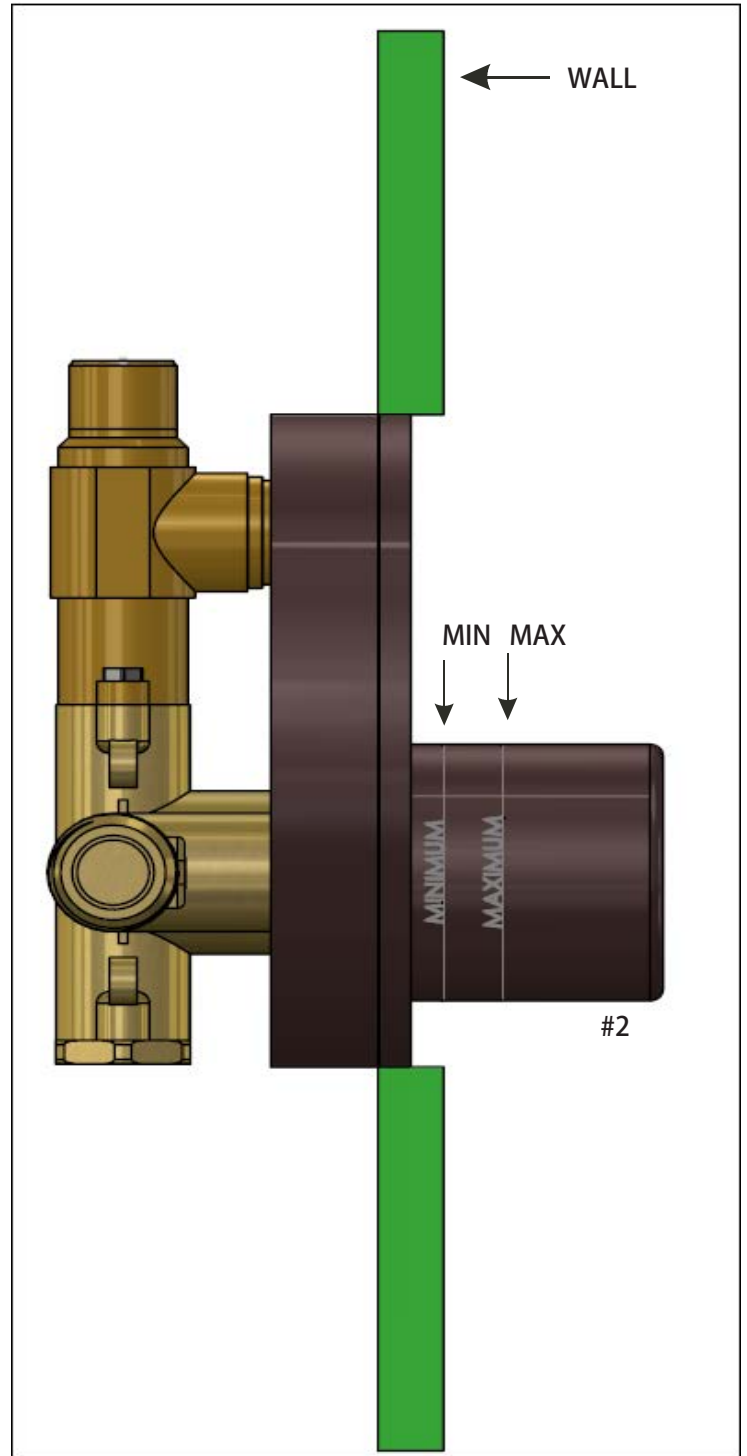
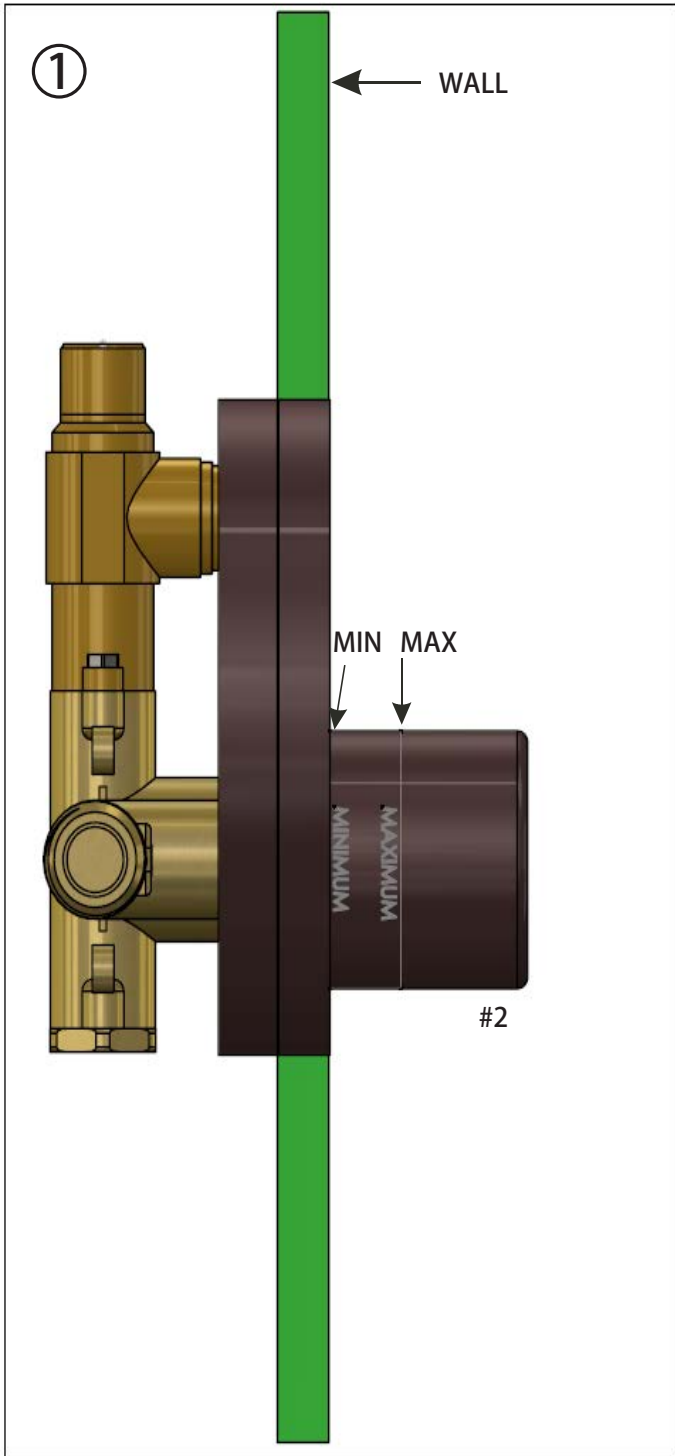
**-REPLACES-**  
 SA255 FOR SA255-1  
 TH-7000-3 FOR  
 TH-7000-2 PM-5-4X  
 FOR PM-5-4X-1



# INSTALLATION INSTRUCTIONS

## TH-8000/TH-8200

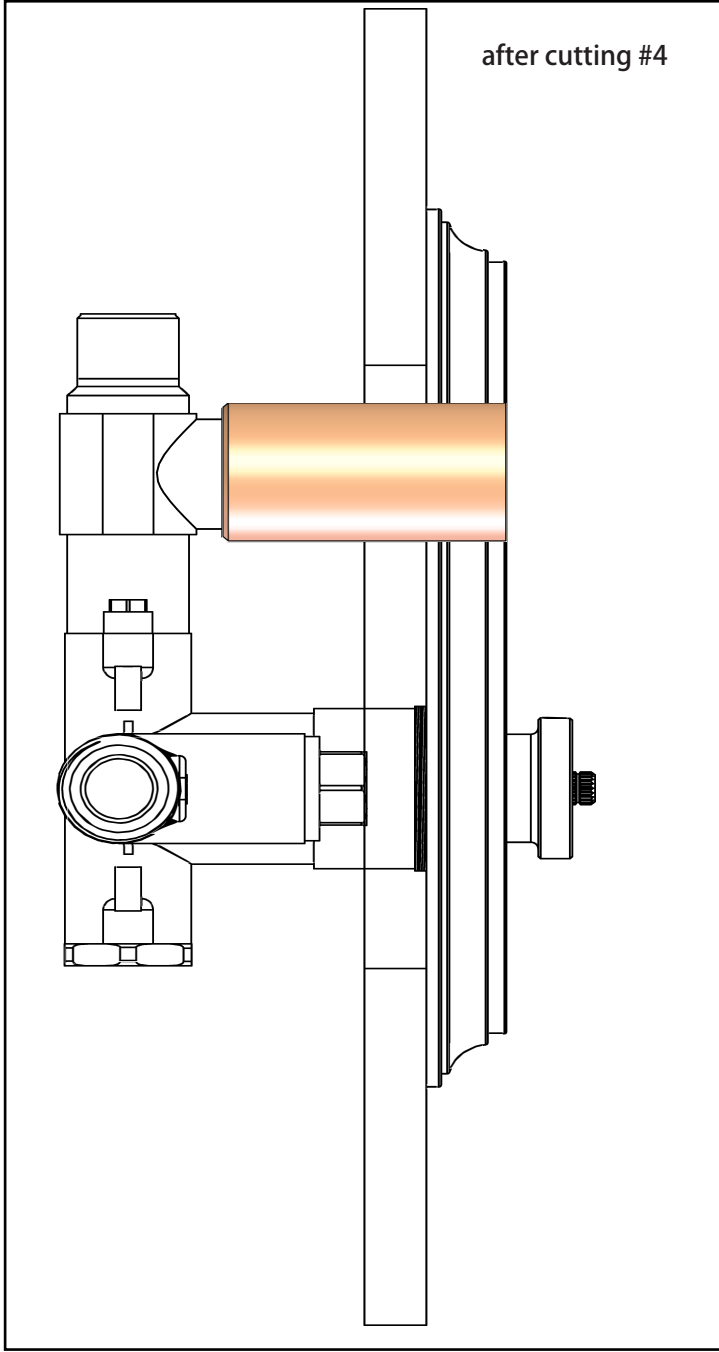
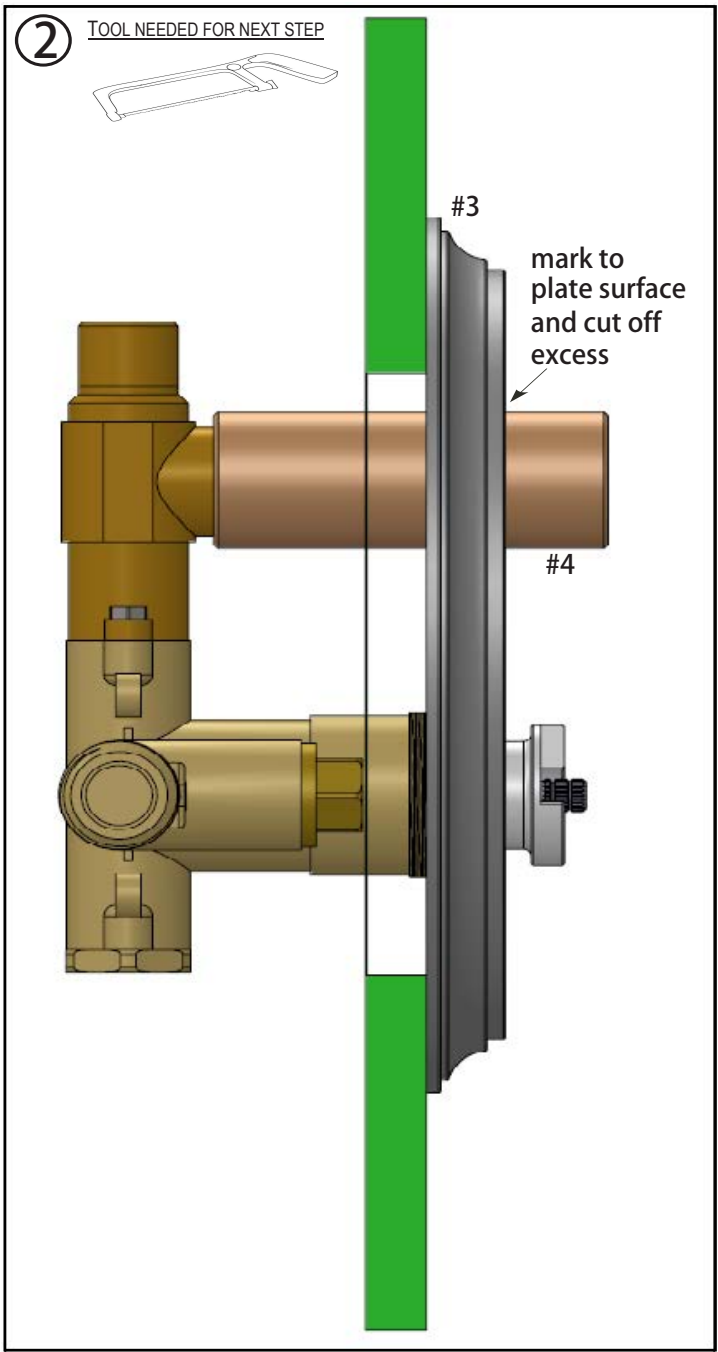
## TH-8202/8300/8303



– Rough in the valve, lining the surface of the wall to the Mudguard Min/Max line.

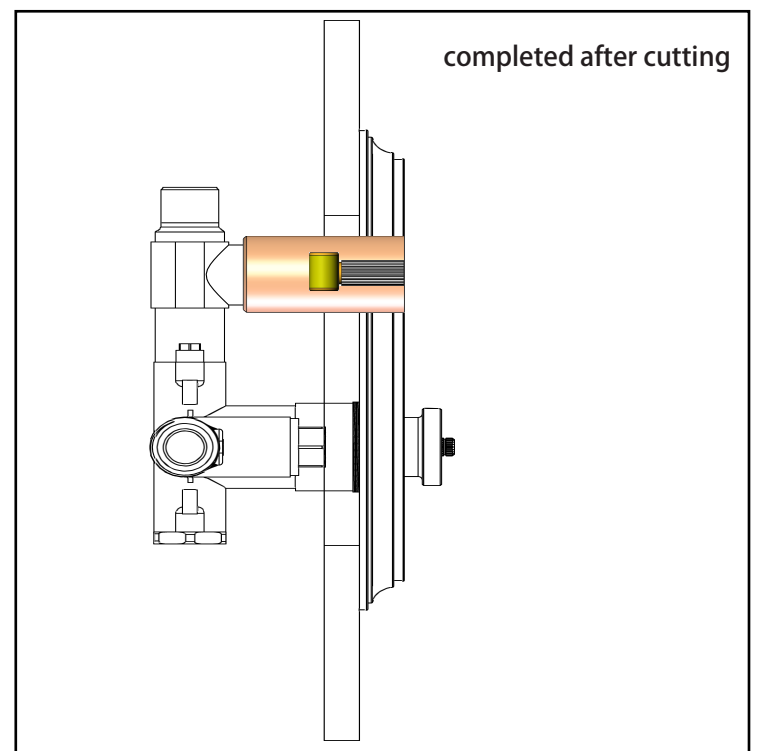
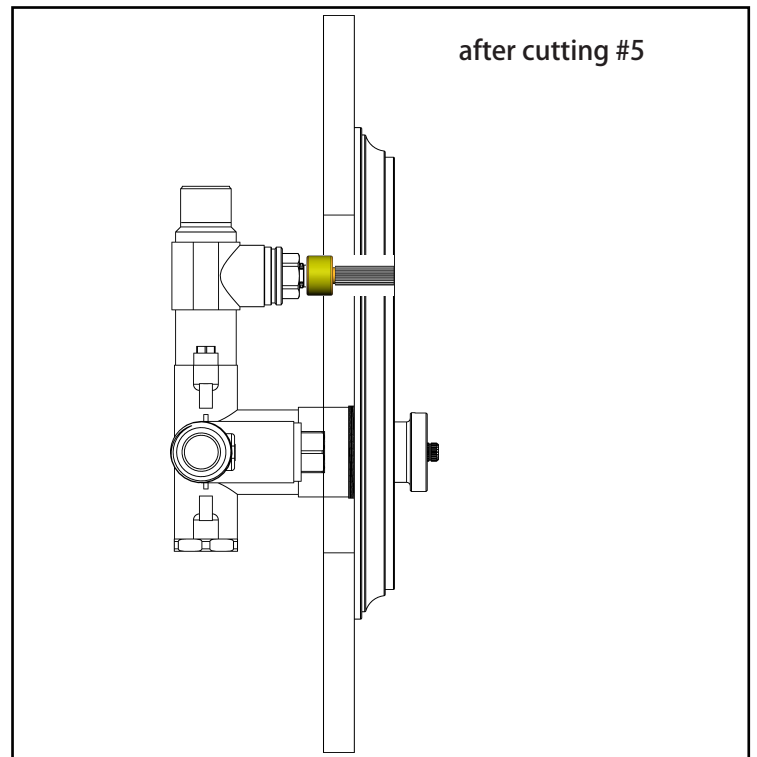
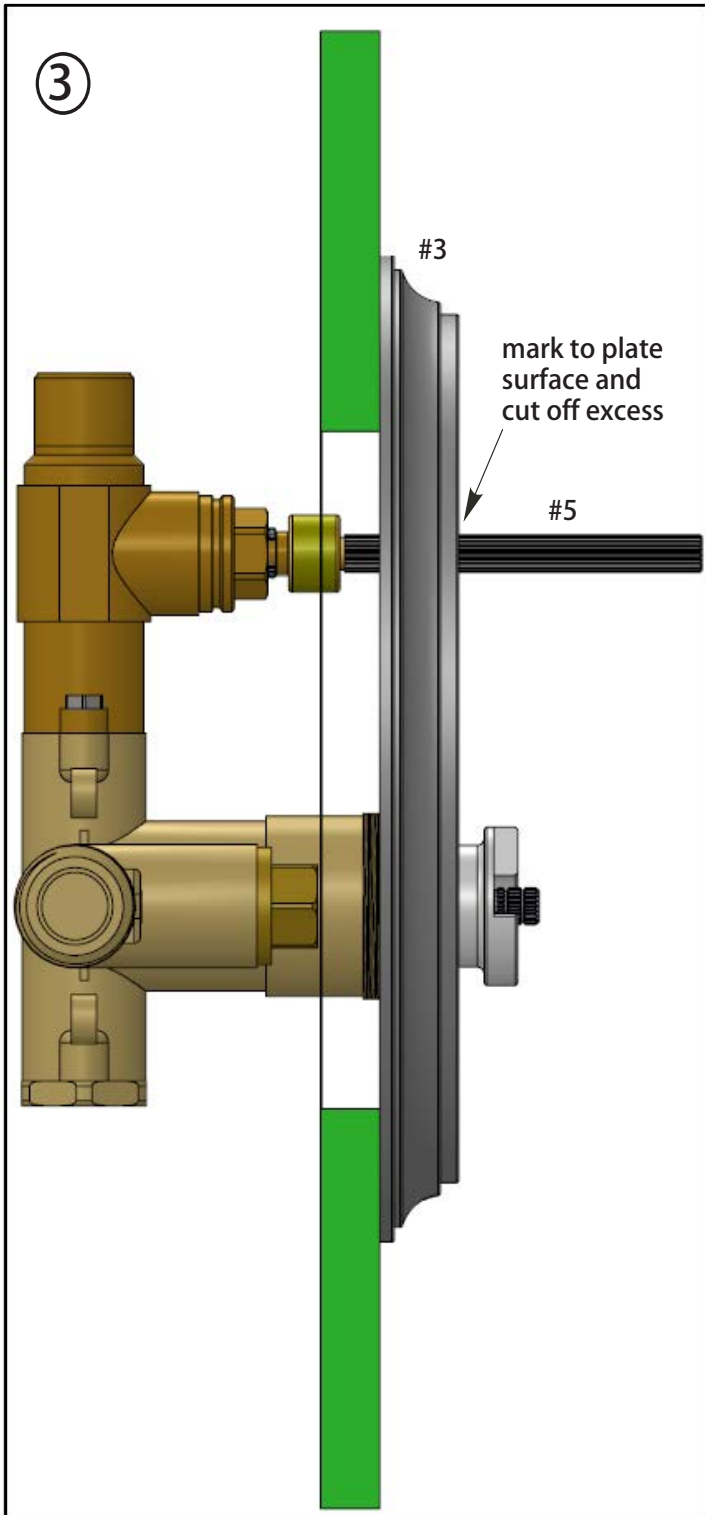
– Rough in the valve, lining the surface of the wall to the Mudguard Min/Max line.

# INSTALLATION INSTRUCTIONS



- Place #3 Plate up against wall over valve.
- Screw the all thread extension #4 onto the volume control / diverter valve until it stops.
- Mark #4 to surface of the plate.
- **Remove it and cut off excess thread extension.**

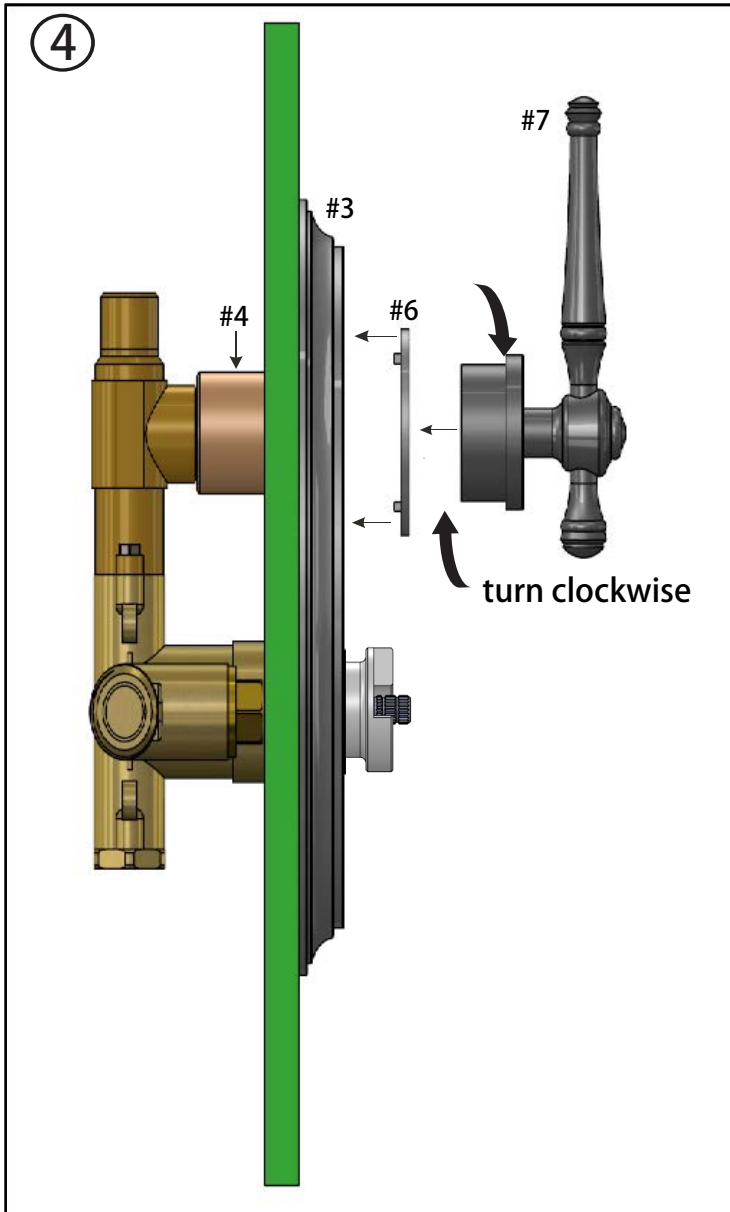
# INSTALLATION INSTRUCTIONS



- Once #4 is cut to the surface, insert #5 Broach Extension. **Mark to surface of plate #3, remove and cut off excess broach extension.**

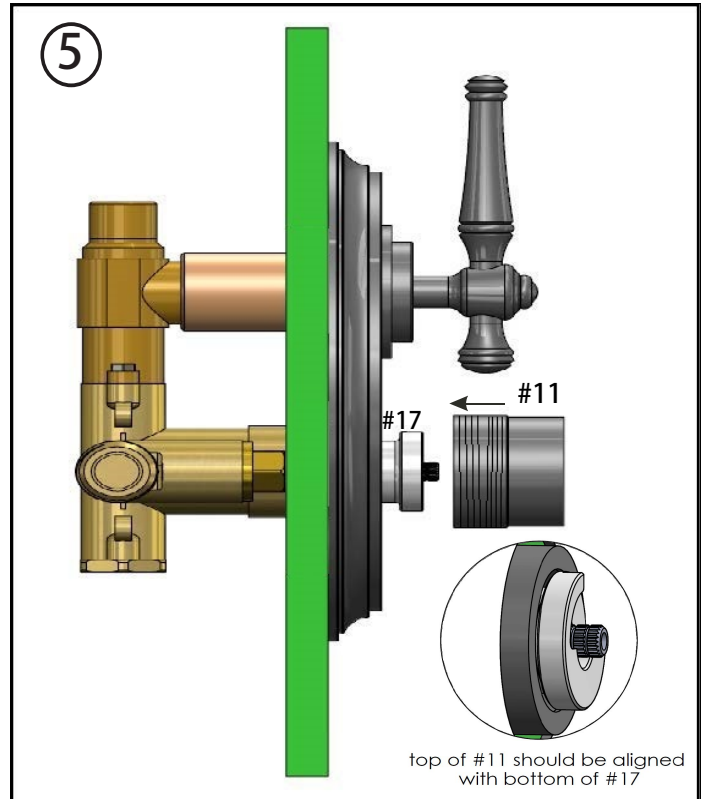
- Re-install part #4 and #5.

# INSTALLATION INSTRUCTIONS

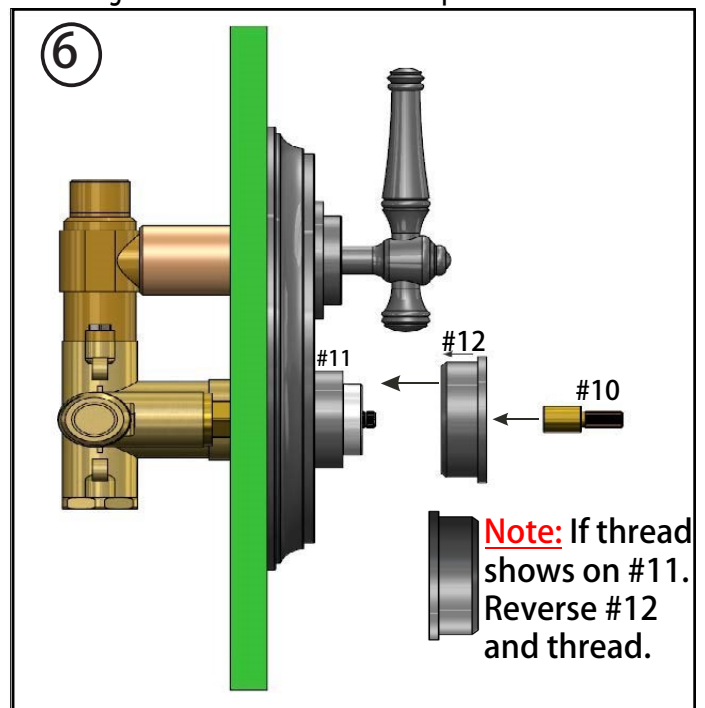


- Place Plate #3 on the wall.
- Install #6 Diverter Ring. (Making sure the OFF position faces the 12 o'clock position).
- Hand tighten On/Off handle assembly #7 to All Thread Extension #4 until flushed against #6 Diverter Ring.

**Note:** Make sure lever is pointing to 12 o'clock position.



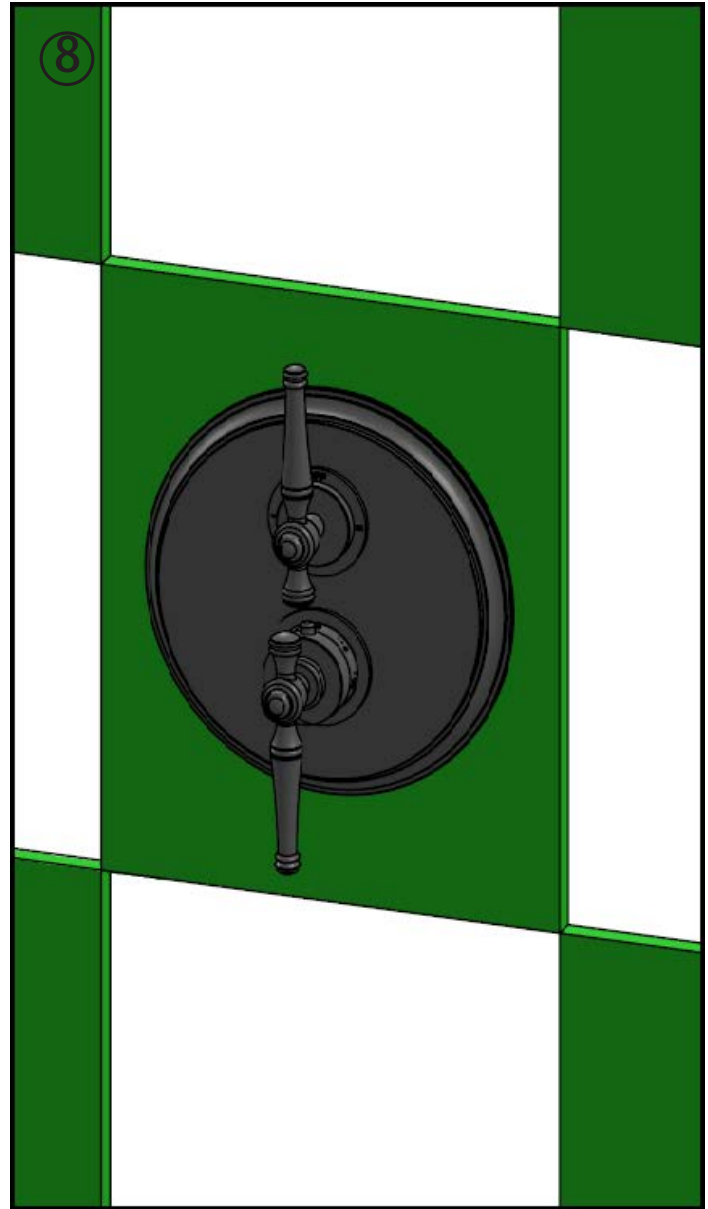
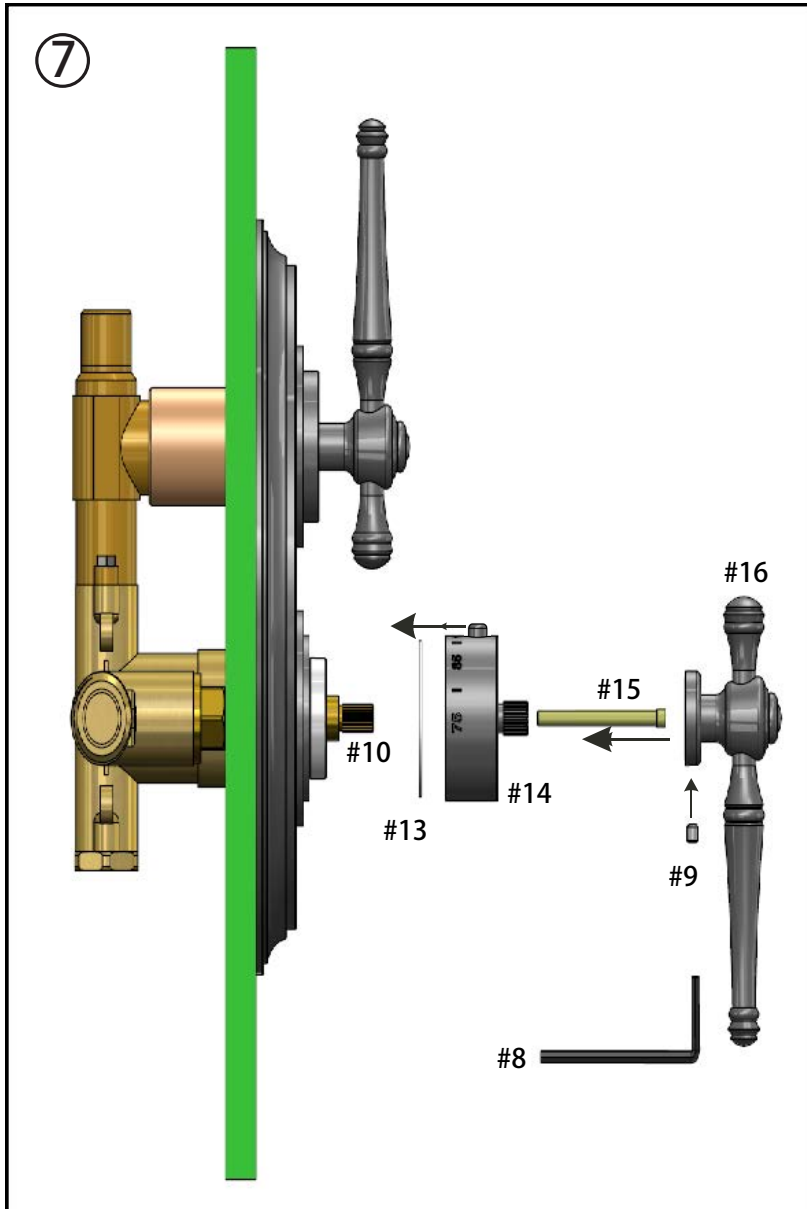
- Screw on Threaded Sleeve #11 onto thermostatic valve. Tighten all the way. The top of #11 Threaded Sleeve should be aligned to the bottom of #17 Temperature Restrictor.



- Hand tighten Thermostatic Flange #12 to Threaded Sleeve #11. Make sure #12 is flushed against wall.
- Insert Broach Extension #10 onto thermostatic stem.

**Note:** If thread shows on #11. Reverse #12 and thread.

# INSTALLATION INSTRUCTIONS

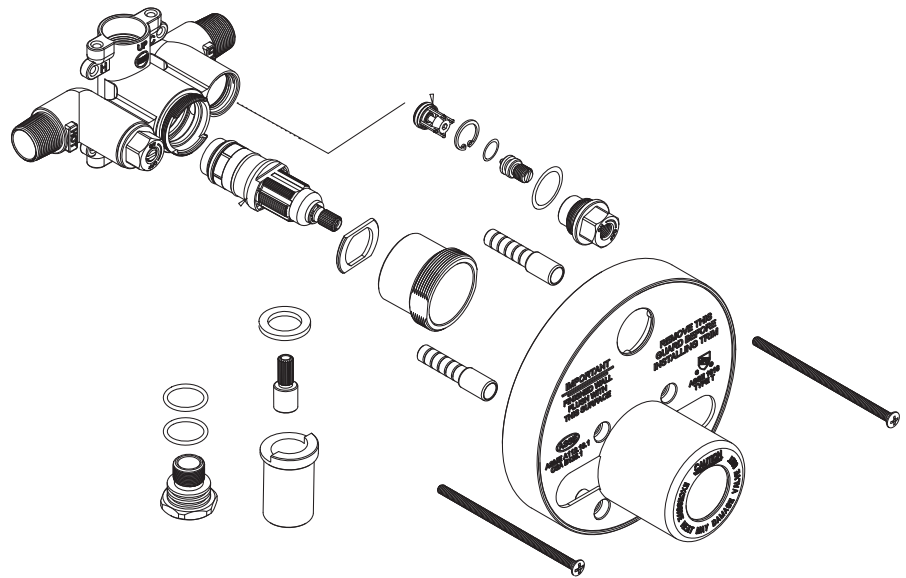


- Insert Teflon Washer #13 to bottom of #14
  - Insert the Thermostatic Dial #14 with the 100° pointing to the 12 o'clock position over the extension broach #10.
  - Secure with the provided long screw #15 and cut excess length to fit.
  - Assemble the thermostatic handle #16 onto the thermostatic dial #14 and tighten with the set screw #9.
- Note:** Make sure the lever is pointing to 6 o'clock position.



# INSTALLATION INSTRUCTIONS

---



## General characteristic

- Santec thermostatic valve is suitable for most water heater systems provided it is installed correctly
- Low pressure storage heaters are not recommended for this application

**Note:** Cartridge and #17 Temperature Restrictor have RED markings indicating the 100° mark should be aligned at the 12 o'clock position.

## Cartridge Cleaning

After years of use, impurities and lime scale can restrict the water flow. To clean the cartridge, please follow these instructions:

- 1- Remove the handle screw, handle trim, trim plate screws, and trim plate.
- 2- Shut off the water line by turning the check valve shut off mechanism clockwise. Make sure that the both hot and cold sides are closed.
- 3- Remove the cartridge using a 30mm wrench.
- 4- Wash the filter under running water or soak it with vinegar or a descaling agent.
- 5- Reassemble the cartridge making sure that the red lines on the cartridge are aligned.
- 6- Open the check valve shut-off mechanism, turn on the water, and check water flow.
- 7- If the water flow is normal, reassemble the trims.



## FINISH CARE INFORMATION

**WARNING** Do not clean your SANTEC product with ammonia (window cleaner), bleach, soaps, acids, abrasives, harsh polishes, harsh cleaners, a coarse surfaced cloth, coarse sponge, or any type of scouring pad. Doing so may ruin your faucet finish and/or void the warranty.

Thank you for making SANTEC a part of your lifestyle and luxury spa experience. Our products have been created as works of enduring quality and sophisticated design. Luxurious finishes need proper care and attention, so in order to understand how to properly clean your distinctive luxury finish, please refer to the finish care information below:

Your SANTEC product can be identified in one of two categories: clear coated finishes or non-clear coated finishes. Clear coated finishes are more scratch-sensitive and are more reactant to harsh cleaning chemicals than non-clear coated finishes. Once you have identified the specific luxury finish of your SANTEC product, please follow the important corresponding care instructions.

**Living finishes are unique, are intended to change over time and are excluded from the finish warranty. Any product outdoors or in a marine environment are excluded from the finish warranty.**

### CLEAR COATED FINISHES

Clear Coated Finishes are as Follows:

We recommend that all faucets, drains, etc., be gently wiped dry with a soft cloth after use to avoid water spotting and water deposit build-up. A mild liquid hand soap may be used occasionally if desired. Use of a non-abrasive carnauba wax will add protection to the finish and should be used if the faucets will not be dried after use. Santec Orobrass kitchen products are clear coated. For clear coated finishes, it is recommended to clean your product weekly with a soft moist cloth.

### NON-CLEAR COATED FINISHES

We recommend that all faucets, drains, etc., be gently wiped dry with a soft cloth after use to avoid water spotting and water deposit build-up. A mild liquid hand soap may be used occasionally if desired. Use of a non-abrasive carnauba wax is occasionally required and will add protection to the finish if the faucets will not be dried after use.

### TO OBTAIN WARRANTY SERVICE

Please read 'WHAT IS COVERED BY OUR WARRANTY' and 'EXCLUSIONS AND LIMITATIONS OF WARRANTY' sections to understand what is and what is not covered. Please have ready the proof of purchase (original sales receipt), description of the problem, and carefully package the product or defective part with postage prepaid. Then, please contact your local SANTEC Showroom or write to SANTEC Technical Services.



## LIFETIME LIMITED WARRANTY

SANTEC is committed to enhancing your bathroom experience by creating luxury products that will provide enduring satisfaction. Every effort has been made to satisfy the highest standards of design and production to create lasting peace of mind for our customers. Proof of purchase must be provided for all warranty claims, SANTEC provides the following limited warranties on our product.

### LENGTH OF WARRANTY & WHO IS COVERED BY OUR WARRANTY

This warranty only extends to the original consumer purchaser.

### WHAT IS COVERED BY OUR WARRANTY

- 1. Finishes:** SANTEC Polished Chrome, Polished Nickel and Satin Nickel finishes carry a Lifetime Limited warranty against manufacturing defects and tarnish to the original purchaser. Custom finishes carry a ten (10) years limited warranty against manufacturing defects and tarnish to the original purchaser only. Kitchen products carry a three (3) year limited warranty.
- 2. Cartridges:** Santec cartridges carry a lifetime limited warranty, with the exception of thermostatic and pressure balanced cartridges, which carry a three (3) year limited warranty against manufacturing defects to the original purchaser.
- 3. Parts:** Santec parts carry a ten (10) year limited warranty against manufacturing defects, to the original purchaser. Kitchen products carry a five (5) year limited warranty.

### EXCLUSIONS AND LIMITATIONS OF WARRANTY

This warranty does not cover:

- 1. Drains**
- 2. Crystals and/or glass**
- Damage due to negligence, accident, abuse, improper installation, or improper maintenance such as, but not limited to: heat from soldering during installation, the use of plumber's putty, damage from tools used during installation, the use or exposure to chemicals or cleaning products either abrasive or non-abrasive, or the use of any cleaning tool or product other than a soft, clean cloth. Reverse osmosis may also shorten the life of the finish.
- Changes in the finish or in the product due to normal wear or aging does not cover any products or parts which have been altered or used in a manner not typical for the product.
- Loss, damages, or expense, incidental or consequential whatsoever, originating from the purchase, installation, use, repair, failure, or replacement of any SANTEC product or part, allowed by law.
- Commercial and/or Industrial installations and use of the product.
- This warranty does not include labor, travel charges, or any costs incurred for repair, removal, installation, servicing, diagnosing, or handling of either defective or replacement parts.
- Access should be provided to the roman tub valves for future service or repair to valves and piping. Under no circumstances will Santec Faucet, Inc. be liable for any costs associated with the removal of materials for future access to the tub valves or piping for service or repair.
- This warranty does not cover: damage due to negligence, accident, abuse, improper installation, or improper maintenance such as, (but not limited to): heat from soldering during installation, the use of plumbers putty, damage from tools used during installation, the use or exposure to chemical or cleaning products, abrasive or non-abrasive, or the use of any cleaning tool or product other than a soft, clean cloth. **This warranty does not cover: changes in the finish or in the product due to normal wear or again and does not cover any product or parts which have been altered or used in a manner not typical for the product.** Santec will not be held liable for damage to products caused by the freight carrier, any such claims should be made immediately with the freight carrier. This warranty does not cover any cost involved in the installation, repair, or replacement of any SANTEC product or parts. This warranty does not cover and SANTEC will not be held liable for any loss, damages, or expenses, incidental or consequential whatsoever, originating from the purchase, installation, use, repair, failure, or replacement of any SANTEC product or part, as allowed by law. The product of components of the covered product will either be repaired, refinished or replaced at the sole discretion of SANTEC. SANTEC reserves the right to examine any product claimed defective prior to any warranty claim being accepted or processed, at its sole discretion. This warranty gives you specific legal rights and you may have other rights which may vary from state to state.