



ITEM NUMBER

YY-HN-TM

PIANA I COLLECTION

'HN' STYLE HANDLE TRIM FOR 4-PORT, 5-PORT AND STOP VALVES

---



# INSTALLATION INSTRUCTIONS

**TEST FOR PROPER FUNCTION BEFORE CLOSING WALLS!**

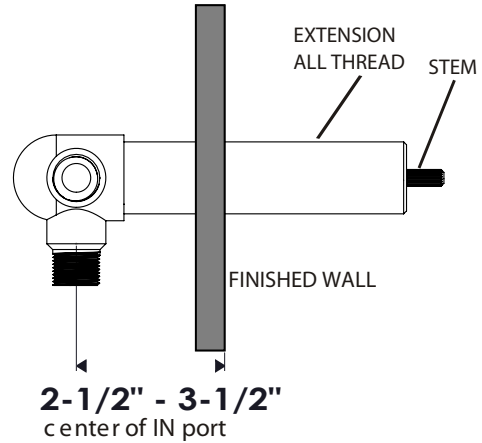
FLUSH BOTH SUPPLY LINES BEFORE INSTALLATION  
AFTER FLUSHING , SHUT OFF BOTH SUPPLY LINES.

MINIMUM HOLE SIZE FOR THE HANDLE TRIMS IS 1 5/8" AND MAXIMUM OF 1 3/4"

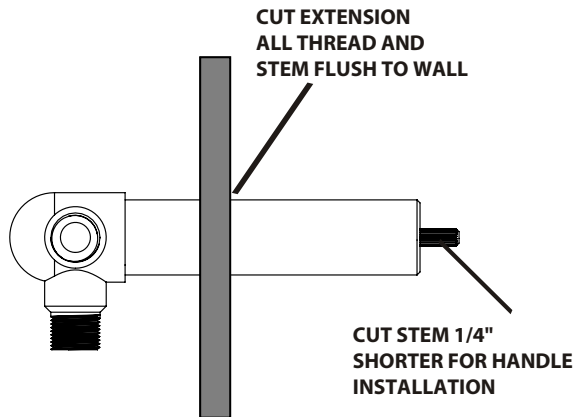
## INSTALLATION INSTRUCTION

### INSTALLING THE VALVE WITH THE TRIM

1- Install the valve onto the wall with at least 2-1/2" space between the center of the valve inlet and the finished wall.

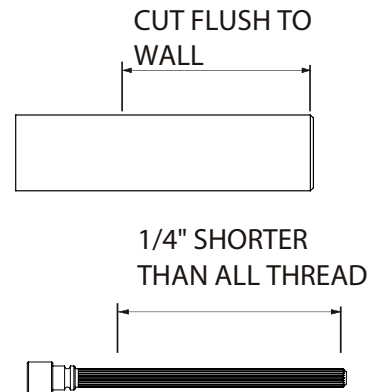


2- Screw the extension all thread and stem onto the valve making sure it is all the way in.



3- Mark the extension all thread flushed to the wall, remove it and cut. Do the same with the stem but this time cut 1/4" less than the extension thread in order to attach handle.

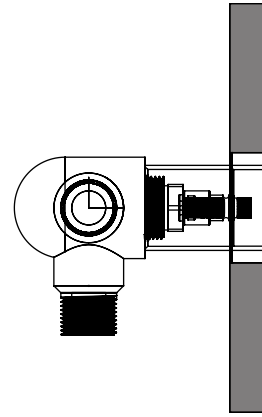
4- Cut off the excess All Thread and Stem (remember to cut the Stem 1/4" shorter)



# INSTALLATION INSTRUCTIONS

---

5 - Replace the handle onto the stem.  
Tighten the handle set screw firmly.



6 - Apply the finish trim.

