



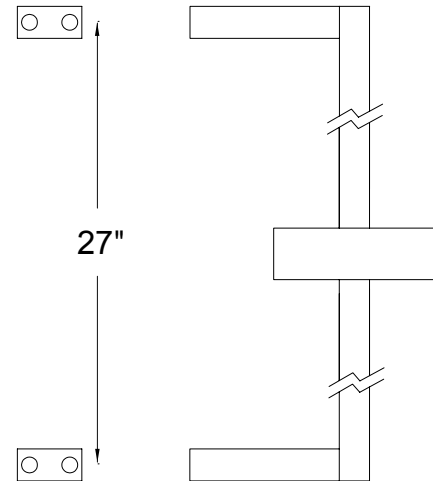
SANTEC has the right to make necessary design changes where applicable.

\*This image is an example. Handheld shower and bracket design may vary for each collection.

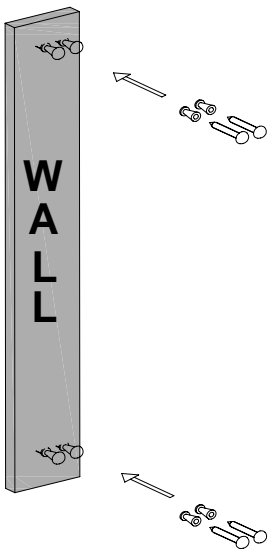
# INSTALLATION INSTRUCTIONS

## ASSEMBLY

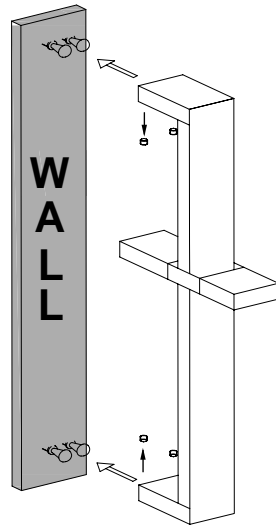
1. Mark the vertical center-to-center distance of 27 inches on the wall.
2. Draw two circles having their center as two marked points.
3. Insert the screw into its collar and thread the screws through the two small holes in the pedestal.
4. Tighten them firmly.
5. Using the Allen key provided, loosen the bar posts' set screws.
6. Insert top and bottom slide bar posts onto mounting hardware post.
7. Secure and tighten the set screws.
8. OPTIONAL: put the personal hand held spray assembly in the slotted groove as shown in the figure.



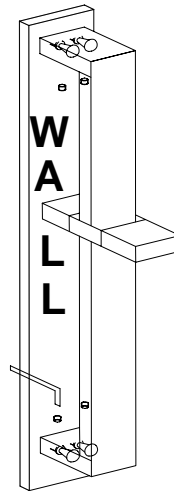
Steps 1-4



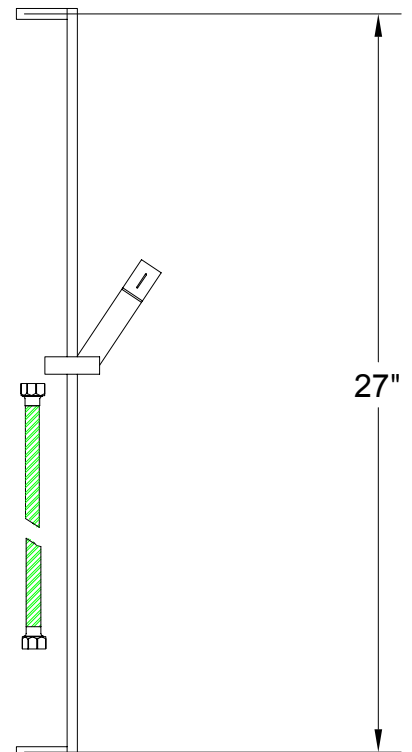
Step 5



Steps 6 & 7



Step 8



---

## OPTIONAL ASSEMBLY FOR HAND SHOWER HOSE CONNECTION TO SUPPLY ELBOW

Note: Position supply elbow according to personal preference per location of water source.

ATTACH THE HOSE PROPERLY BY FOLLOWING THE INSTRUCTIONS BELOW.

Attach the HEX NUT on the hose to the WATER SOURCE. Attach the CONICAL NUT at the other end of the hose to the HAND SHOWER.

Slip the spray assembly into the slotted groove of the Adjustable Bracket.

Move the adjustable bracket to desired height.

