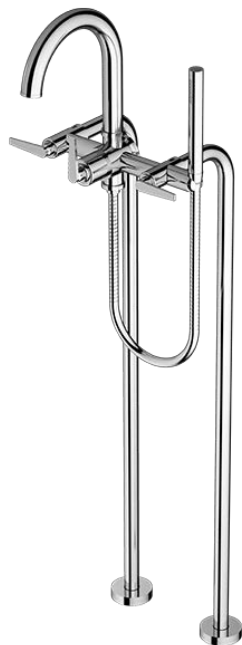


# SANTEC

FLUID IMAGINATION

DESIGNER SERIES

FLOOR MOUNT TUB FILLER  
VARIOUS MODLE



## ROUGH

Rough in two  $\frac{3}{4}$ " female pipes 8" apart underneath the subfloor for the floor mount tub filler. The female nipples of the pipes should be flush with the finished floor.

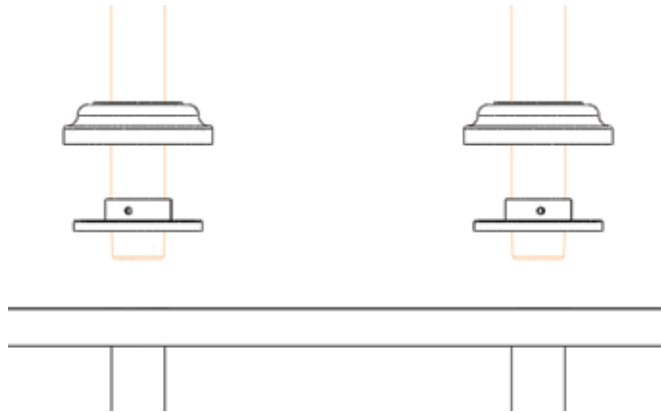
## NOTE:

Outside of the leg flanges, there is no anchor supplied with the product. Plumber will need to construct a support system from beneath the floor to ensure the product is held properly. The total dry weight of the floor mount tub filler is about 25 pounds.

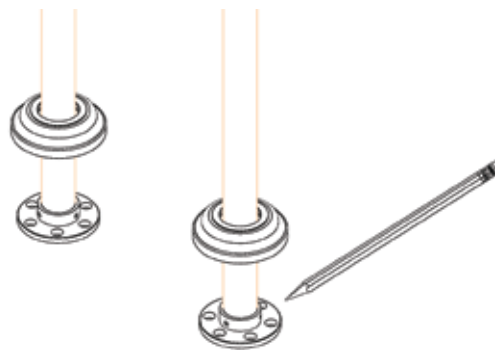
# Trim Installation

---

1. Slip the flange and the bracket onto each leg and align with the female pipe outlet.



2. Mark the position of screw hole flange and remove both legs. Drill the pilot holes out for the screws at 5/16"

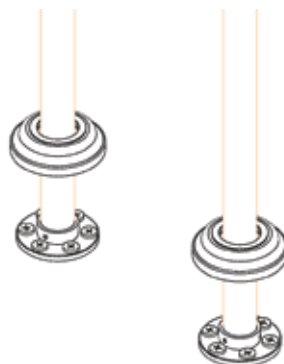


3. Wrap the threads with Teflon Tape and thread each leg into the female pipes beneath the floor.

NOTE: Make sure the leg with the inner tube is placed on the "HOT" side.

4. When both legs are secure, use the provided allen key to thread all six set screws on the flanges until tight. DO NOT OVERTIGHTEN.

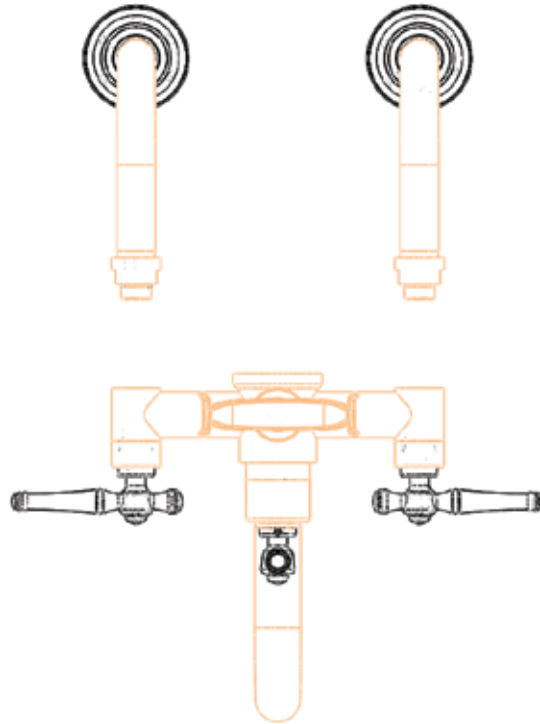
5. Thread all 12 screws into the flange until tight.



# Trim Installation

---

6. Wrap Teflon Tape around the threads of each leg and thread the base body onto the legs of the assembly. Use a wrench to ensure the connection is tight



7. Place the handheld shower in the rack and thread the hose on floor mount tub filler and handheld shower respectively.

## FLUSH THE LINES

1. Turn on the water and slowly open both hot and cold lines while holding the handheld shower over the tub.
2. Keep the water on for 45 seconds making sure to divert between both outlets to ensure the system is clear of debris.

# Cartridge Replacement

---

## CARTRIDGE REPLACEMENT

### HOT & COLD Cartridges

1. Turn off both hot and cold supply lines to the house.
2. Using the provided allen key, unthread the set screw from the handle needing replacement.
3. Remove the handle and unthread the cap over the cartridge.
4. Using a wrench, unthread the cartridge from the body.

### Diverter Cartridge

1. Turn off both hot and cold supply lines to the house.
2. Using the provided allen key, unthread the set screw from the center handle.
3. Remove the handle and unthread the cap over the cartridge.
4. Using a wrench, unthread the center lock nut holding the cartridge in place.
5. Pull out the cartridge to remove it.
6. When replacing the cartridge, be sure to line the holes on the cartridge up with the holes inside the body.