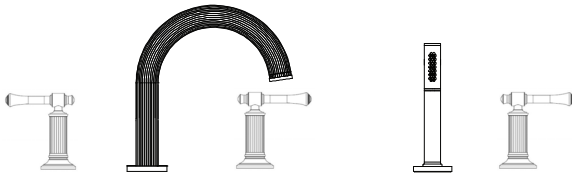


Please read the instructions completely before beginning the installation.

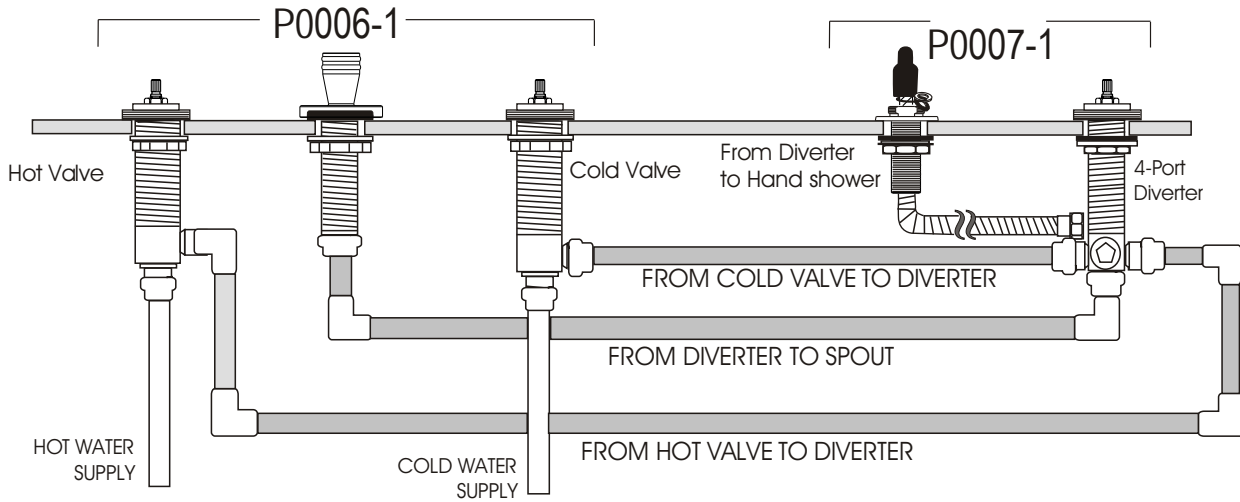
Athena Collection
Model Number: 3455AT-TM



Flush both supply lines before installation, then shut off both supply lines.
Minimum hole size for the spout and handle trim is 1-1/4" and maximum of 1-1/2"

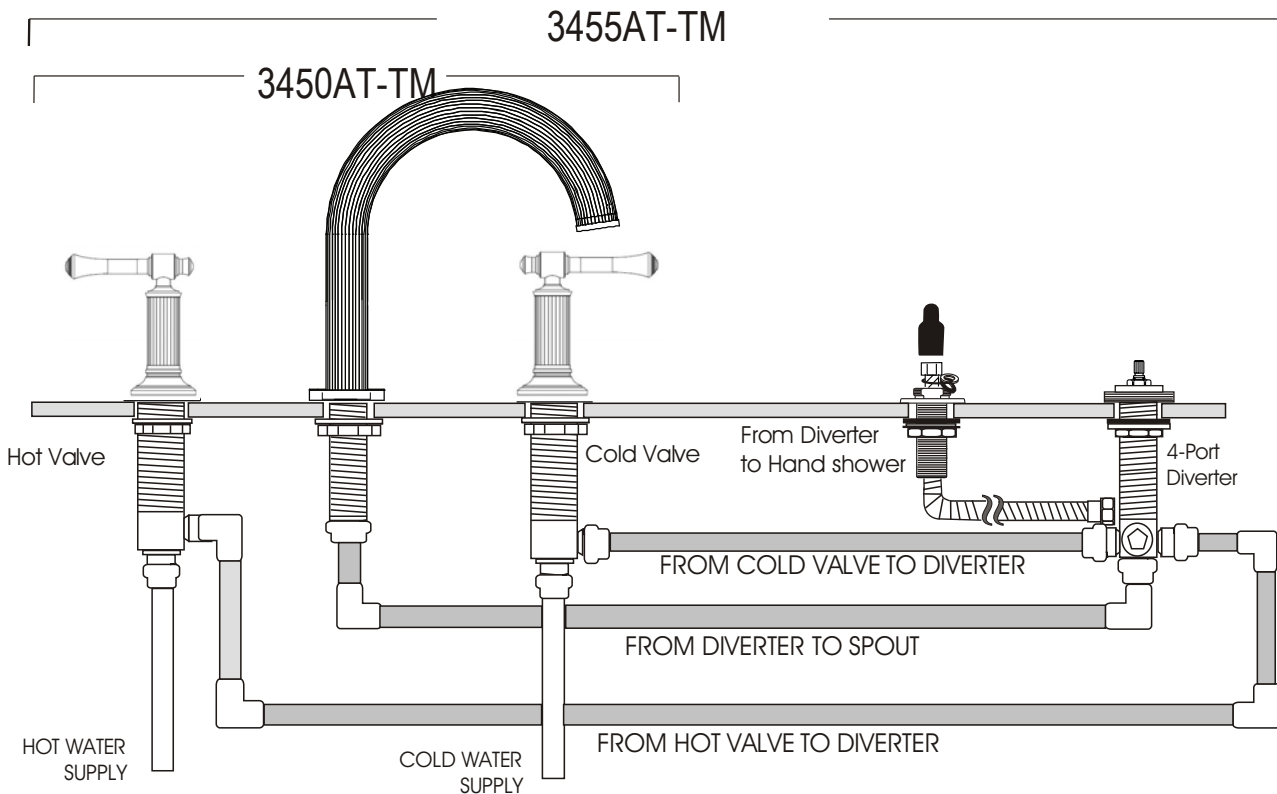
1. ROUGH INSTALLATION

MAKE SURE THE ROUGH IN FOR THE ROMAN TUB FILLER (P0006-1) AND HAND HELD SHOWER (P0007-1) ARE INSTALLED. (DO NOT REMOVE THE PROTECTANT CAPS PRIOR TO TRIM INSTALLATION)



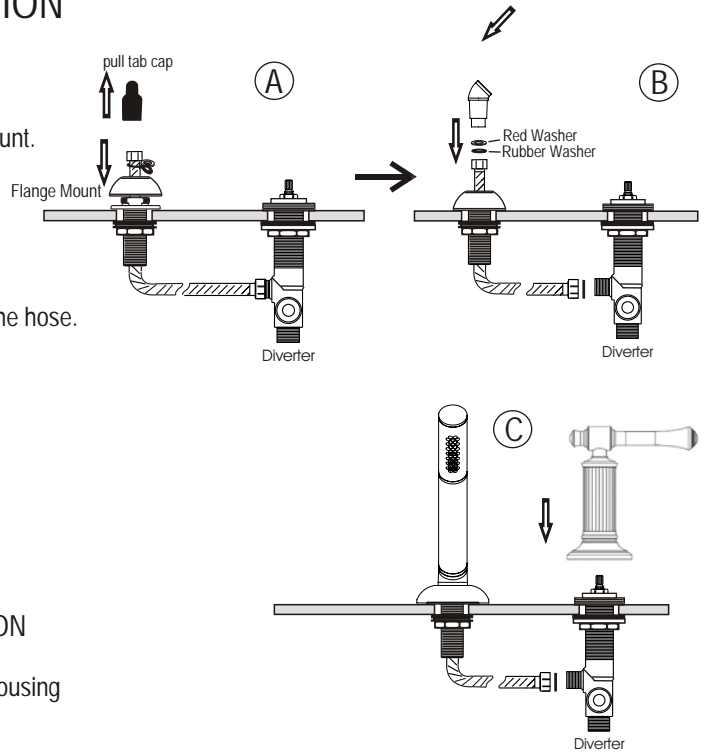
2. ROMAN TUB FILLER INSTALLATION

THIS HAND HELD SHOWER UNIT IS TO BE INSTALLED WITH 3455AT-TM ROMAN TUB FILLER TRIM UNIT. FOR THE ROMAN TUB FILLER INSTALLATION PLEASE REFER TO 3450AT-TM INSTALLATION INSTRUCTION.



3. HAND HELD SHOWER TRIM INSTALLATION

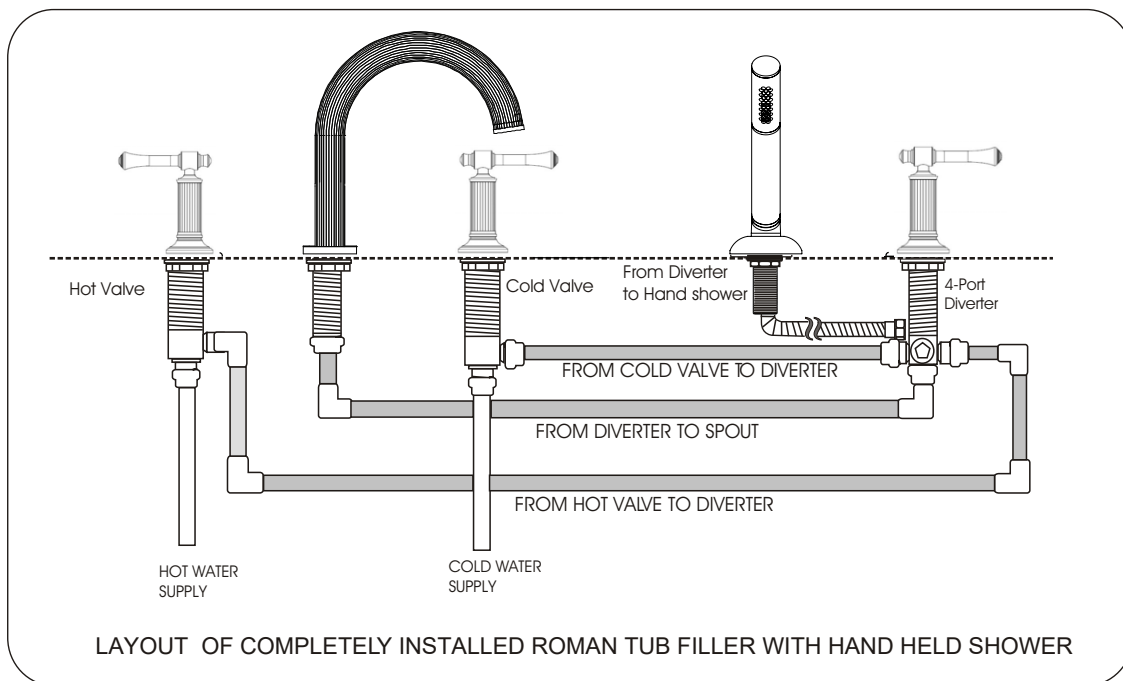
- A.**
- Slip the flange through the hose and screw it onto the shower flange mount.
- B.**
- Take off the slip tab cap.
 - Take off the rubber band with rubber and red washers.
MAKE SURE THAT THE HOSE DOES NOT FALL INTO THE FLANGE MOUNT.
 - Install the hand held shower unit with the rubber and red washers onto the hose.
- C.**
- Screw the handle trim onto the diverter's base ring.
Make sure the handle lever is aligned properly



4. WATER TEST AND FLUSH THE LINE

PLEASE REFER TO 3455AT-TM INSTALLATION INSTRUCTION

- After all the connections have been made, remove the spout's aerator housing basket and washer.
- Turn on the water on both hot and cold sides and flush the lines for 45 seconds.
- Turn off the water and reinsert the washer, basket and Housing.
- Turn on the water and check for leakages at all joints. If water leaks from any of the connections tighten the connection until the leakage stops.



LAYOUT OF COMPLETELY INSTALLED ROMAN TUB FILLER WITH HAND HELD SHOWER