

# SANTEC

FLUID IMAGINATION

E-SERIES: METRA COLLECTION  
WIDESPREAD LAVATORY  
WITH "MD" HANDLES

MODEL: 2420MD\_\_



KEEP THIS INSTRUCTION BOOKLET FOR FUTURE REFERENCE

# Spout

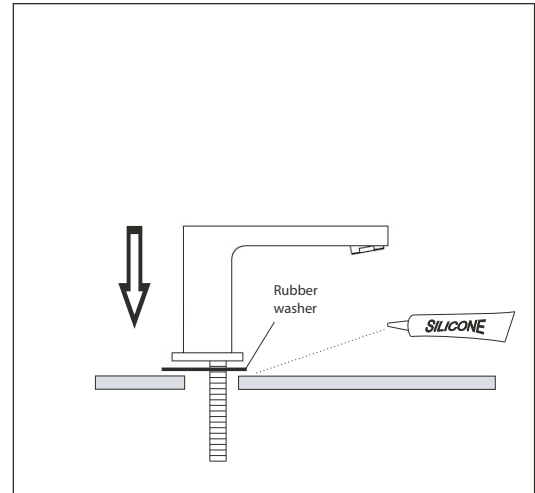
Flush both supply lines before installation. After flushing, shut off both supply lines.

Hole size for the spout and handle trim is a minimum of 1¼" and a maximum of 1½".

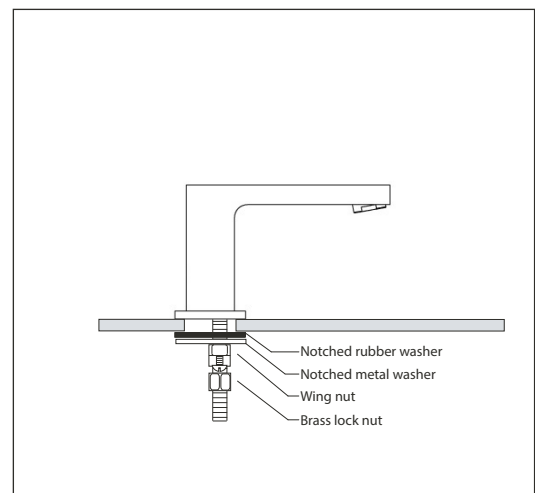
## Spout Installation

- A** Remove tee connector, tee connector washer, and spout mounting hardware from bottom of spout assembly. Apply a ring of silicone caulking around the center hole on the top of the sink (do not use plumber's putty which can damage the spout finish).

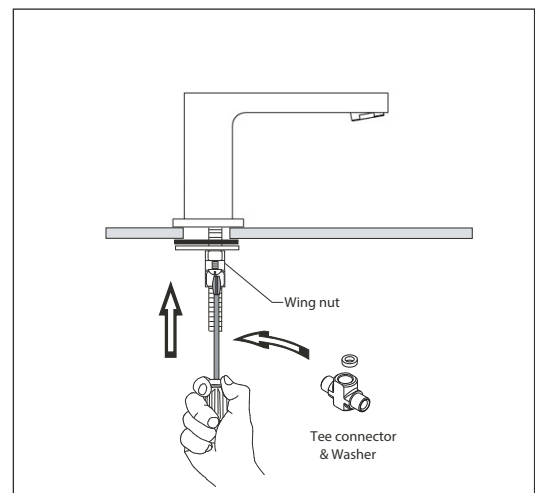
From the top of the deck, drop in the spout through the center hole of the sink or counter surface.



- B** Slip the spout mounting hardware back onto the spout. First the notched rubber washer, then the notched metal washer, (making sure the notch faces towards the back) wing nut, and brass lock nut. Hand tighten the nut.



- C** Align spout and secure to the sink or counter surface by tightening the 2 screws on the wing nut with a Phillips head screwdriver. Place the tee connector washer into the tee connector and thread the tee connector onto the end of the spout shank. Hand tighten to seal.



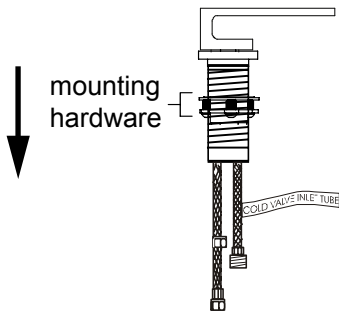
# Handle Installation

HANDLE TRIMS ARE READY FOR SIMPLE DROP-IN INSTALLATION.

**NOTE: DO NOT DISASSEMBLE HANDLES.**

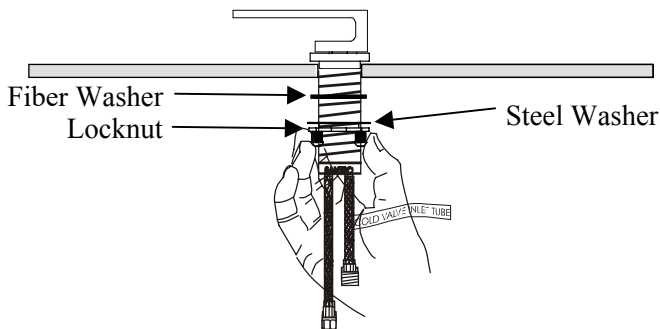
## Step 1

- Both hot and cold side handle trims are pre-assembled for faster installation.
- Hot valve assembly “Red” to be mounted on left.
- Cold valve assembly “Blue” to be mounted on right.
- Remove the mounting hardware (fiber washer/ steel washer/locknut) before installation.



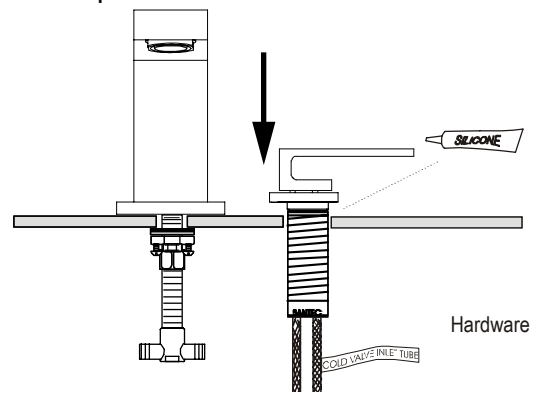
## Step 3

- Align handles (in closed position).
  - Hot side pointing left (9 o'clock).
  - Cold side pointing right (3 o'clock).
- Re-Install valve body mounting hardware.
- Hand tighten locknut (clockwise).



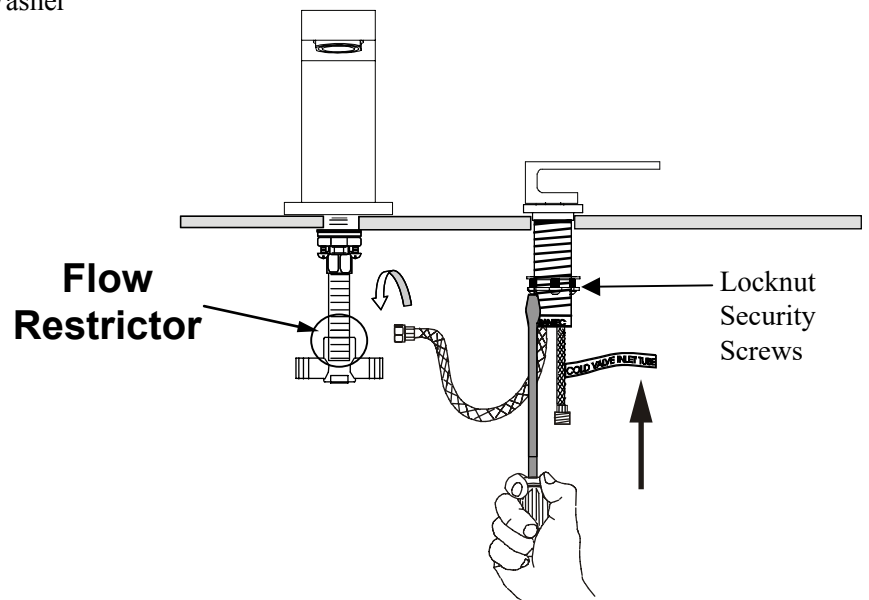
## Step 2

- Apply ring of silicon caulk around the cut out in the sink/countertop.
  - **Do Not use plumber's putty which can damage finish.**
- Slip valve body through cut out in sink/ countertop.



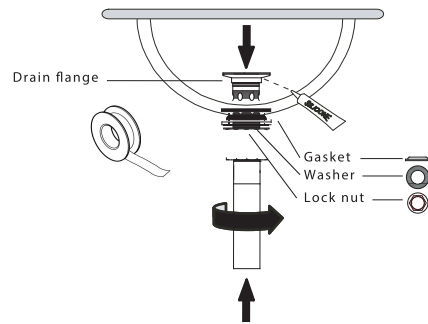
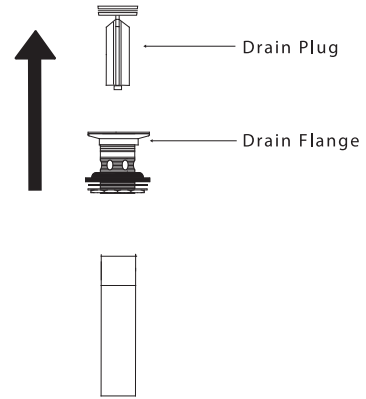
## Step 4

- Tighten 3 locknut security screws in locknut (clockwise) with a phillips screwdriver.
- **STOP! FLUSH THE LINE!\***
- Attach outlet hoses from valves to tee connector at the base of the spout and attach securely to avoid leaks.



## PUSH POP-UP DRAIN

- 1 Remove the drain plug and gasket from push pop-up assembly. remove the washer, lock nut and un-thread bottom drain tube.
- 2 Insert flange on the drain hole up through bottom of lavatory. add silicon sealant/putty around the flange. Secure by adding rubber washer, gasket, plastic washer and lock nut.
- 3 Insert the threaded end of the assembly up from the under the sink so that the drain tube is firmly attached to the drain plug.. Make sure to add plumber tape before threading the drain tube.
- 4 Make sure the thread of drain flange and bottom of the drain tube are tighten. If not it may cause water leaks. add tape or tighten the locknut from under the sink.
- 5 Test the push pop-up for smooth operation. to open push pop-up simply push once. Push again to close it.



# Flush the Line

---

## Flush the Line Instruction

After all the connections have been made, remove the hidden aerator with the provided key.

Turn both both hot and cold water on and flush the lines for 45 seconds.

Turn off the water and reinsert the aerator.

Turn on the water and check for leakages at all joints. If water leaks from any of the connections tighten the connection until the leakage stops.

